

Zehnder EVO 3

EN Installer Manual

DE Montageanleitung

IT Manuale installatore

FR Manuel d'installation

NL Installatiehandleiding

ET Paigaldusjuhend

LT Montuotojo vadovas

LV Uzstādītāja rokasgrāmata



EN

DE

IT

FR

NL

ET

LT

LV

1. Table of Contents

1.	Introduction	3
1.1.	Using the Zehnder EVO 3 unit	3
1.2.	Warranty conditions	3
2.	Introduction and safety	3
2.1.	Introduction	3
2.2.	Safety	4
2.3.	Installation conditions	4
2.4.	Guidance for properties with fireplaces	5
2.5.	Compliance	5
3.	Transport and delivery	5
3.1.	Transport safety guidance	5
3.2.	Checking the delivery	5
3.3.	Unpacking the ventilation unit	6
4.	EVO 3 unit characteristics	6
4.1.	Connections	6
4.2.	Modifying the model from "factory version" to "mirror version"	7
4.3.	Blow-up diagram of the unit	7
4.4.	Technical specifications	8
4.5.	Electric preheater models EVO 3 HRV PR and EVO 3 ERV PR	8
4.6.	Energy efficiency classes	8
4.7.	Performance graphs	9
4.8.	Working points	9
4.9.	Enthalpy heat exchanger operating principle	9
4.10.	Acoustic data	10
5.	Installation	10
5.1.	Dimensions	10
5.2.	Preliminary assessments	10
5.3.	Installation	11
5.4.	Ceiling-mounting	11
5.5.	Wall-mounting	12
5.6.	Positioning the connections	14
5.7.	Connecting the condensate drain	15
6.	Electrical connections	16
7.	Controls and connectivity	18
7.1.	Zehnder Multi Control	18
7.2.	Zehnder EVO Sense wireless	18
7.3.	Zehnder EVO Switch RF	18
7.4.	RF CO ₂ sensor	18
7.5.	RF humidity sensor	18
7.6.	Smart connectivity	19
7.6.1.	EVO Connect ModBus	19
7.6.2.	EVO Connect ModBus-KNX	19
8.	Commissioning	20
9.	Operation	20
9.1.	Operation of the bypass	20
9.2.	Frost protection safety device	20
10.	Maintenance procedure	21
10.1.	Air filter maintenance	21
10.2.	Cleaning the ventilation unit	22
11.	Overview of the unit and description of the components	25

EN

DE

IT

FR

NL

ET

LT

LV

1. Introduction

Warning!



Read this manual carefully prior to installation and commissioning.




This document provides support for the safe, optimal installation, commissioning and maintenance of the Zehnder EVO 3 controlled mechanical ventilation unit.

The Zehnder EVO 3 may be referred to below as the “ventilation unit”.

Since our products are being developed and improved all the time, the unit you have may be different from the descriptions provided here.

The latest edition of the installation manual is available for download from the Zehnder website.

The following pictograms are used:

Symbol	Meaning
	Important note
	Risk of compromised performance or damage of the ventilation system
	Risk of personal injury

! ? Questions

Please contact your local Zehnder representative if you have any questions or would like to order a new document, filters or spare parts, as specified in the Installer manual.

Please contact the responsible Zehnder location in your country*

1.1. Using the Zehnder EVO 3 unit

- The ventilation unit and any control device may only be operated if they have been installed in accordance with current national and local regulations, in accordance with the instructions in this manual and the relevant control manual.
- The unit and control device must not be used by persons (including children) with impaired physical, sensory or mental capabilities or without the necessary experience and skill, unless they are supervised by a responsible person and have received the instructions necessary for safe use.
- Children must not play with the ventilation unit.
- Children must not perform any unsupervised procedures on the ventilation unit.

1.2. Warranty conditions

The unit is covered by a manufacturer's warranty for a period of 24 months after fitting up to a maximum of 30 months after the date of manufacture. Warranty claims may only be submitted for

material faults and/or construction faults arising during the warranty period. In the case of a warranty claim, the unit must not be dismantled without written permission from the manufacturer. Spare parts are only covered by the warranty if they were supplied by the manufacturer and have been installed by an approved installer.

The warranty becomes invalid if:

- The guarantee period has elapsed.
- The unit is used without genuine Zehnder filters or without an external wall grille.
- Parts are used that have not been supplied by the manufacturer.
- Non-authorized changes or modifications have been made to the unit.
- Installation has not been carried out according to the applicable regulations.
- The defects are due to incorrect connection, inexperienced use, or contamination of the system.

On-site (dis)assembly costs are not covered by the terms of the warranty. This also applies to normal wear and tear. Zehnder retains the right to change the construction and/or configuration of its products at any time without being obliged to alter previously delivered products.

2. Introduction and safety

2.1. Introduction





Zehnder EVO 3 is a controlled mechanical ventilation unit with heat recovery designed to provide constant, energy-efficient air exchange in small buildings, apartments and homes. The ventilation unit extracts moist, stale air from rooms like kitchens and bathrooms and simultaneously delivers the same flow of fresh air to living areas like lounges, bedrooms, etc. Air circulates through gaps under the doors or special transit grilles with silencer.

The controlled mechanical ventilation unit system comprises:

- the ventilation unit;
- ducting for outside air intake and exhaust air from the unit;
- secondary fresh supply air and stale extract air ducting in the various rooms;
- valves and grilles to deliver fresh air to lounges, bedrooms and other living areas;
- valves and grilles to extract stale air from kitchens, bathrooms and other humid areas;
- external wall grilles for air intake and exhaust.








*For UK market please contact:


Zehnder Group UK Limited
 Concept House, Watchmoor Point
 Camberley, Surrey GU15 3AD
 T +44 (0) 1276 605800
 ventilation@zehnder.co.uk
 www.zehnder.co.uk


-  Read the manual before starting to use the ventilation unit.
-  Make sure that the gaps under the doors or the transit grilles are never obstructed to ensure that air circulates through the building.
-  Condensate may form on the outdoor side of the ventilation unit. No action is required if this occurs.
-  The ventilation unit must be disposed of in an environmentally responsible manner. Do not dispose of the device with household waste.


2.2. Safety


Read all safety instructions carefully to ensure safe, correct use of the ventilation unit.

-  **WARNING! Hazardous electric voltage.**
In the event of a natural disaster, disconnect the power supply.
-  **Comply with the safety rules, precautions and instructions provided in this manual. Failure to comply may cause damage to the unit or personal injury.**
-  **Installation, commissioning and maintenance must be performed by specialised engineers unless otherwise specified in the instructions.**
-  **Do not open the ventilation unit. The specialist engineer must ensure that all parts which may cause personal injuries are safely placed inside the unit.**
-  **Unless otherwise required in this manual, keep the unit operating at all times. Otherwise, damp may build up and mould may form.**
-  **Modifying the ventilation unit and its connected control devices is prohibited. Physical or software changes cause the loss of warranty cover and may lead to malfunctions or personal injury.**
-  **If the power cable is damaged, it must be replaced by a specialist engineer authorised by Zehnder.**

 For installation, comply with current national and local regulations and this manual. Install a safety circuit breaker for disconnection of the power supply.

 Always disconnect the ventilation unit from the electrical mains before starting any maintenance or repair work. Make sure that it cannot accidentally restart.

 Do not start up the ventilation unit when open: the electrical voltage and the movement of the fans may cause personal injury.

 Take suitable measures to prevent electrostatic discharges when working on the unit. Static electricity may damage electrical components.

2.3. Installation conditions

The ventilation unit is designed for use in homes, offices, small workshops and similar locations, provided that:

- there are no saunas or swimming-pools;
- humidity levels are not excessive;
- dust levels are not excessive;
- there are no harmful or potentially corrosive substances.


To establish whether the ventilation unit can be used in the intended location, check that:

- an electricity supply of 230 V, 50 Hz is available; any other operating voltage or frequency may cause irreparable damage to the unit;
- room temperatures are within the permitted range at all times (see “Technical Specifications” table);
- the humidity in the room is not excessive, is non condensing and is within the permitted range at all times (see “Technical Specifications” table). Do not install in locations with above-average humidity, such as bathrooms or changing-rooms.

Check that there is sufficient space for the air distribution system in the installation area.

Leave the ventilation unit completely accessible to enable maintenance procedures.

Zehnder EVO 3 can be installed on a wall or ceiling, using the mounting brackets included.

 Refer to the specific section to check out the various installation options.

EN

DE

IT

FR

NL

ET

LT

LV

2.4. Guidance for properties with fireplaces

For safe use of the ventilation unit, the local requirements contained in the relevant regulations, laws and directives must be adhered to. Zehnder EVO 3 can only be installed in places where fireplaces or other combustion systems operating on ambient air are installed if:

- safety devices prevent simultaneous operation of the ambient air fireplaces and air extraction system.

Or

- the outflow of flue gases from the combustion system operating on ambient air is monitored by special safety devices. In the case of combustion systems burning liquid or gas fuels, the combustion system or ventilation system must be shut down if the safety device is tripped. In the case of combustion systems burning solid fuels, the ventilation system must be shut down if the safety device is tripped.

Controlled mechanical ventilation units cannot be installed if the building unit contains combustion systems using ambient air connected to flue gas discharge systems with multiple connections. For correct operation, it must be possible to shut off the combustion air ducts and the flue gas discharge systems of open chamber systems.

It must be possible to extinguish solid fuel fireplaces using a cut-off device which can only be operated manually. The position of the cut-off device must be clear from the position of the control handle. This requirement is met if an anti-soot cut-off device is used (soot-blocking device).

Fire protection requirements: national and local regulations concerning installation and fire protection for the installation of the controlled mechanical ventilation system must be complied with.

2.5. Compliance

The manufacturer's Zehnder EVO ventilation units

Siber Zone S.l.u.



C/Can Marcia 2
08520 Las Frenquesas des Vallés
Apto de Correos n°9
Barcelona, Espana

comply with the directives and regulations of the EU declaration of conformity and the EAC certificate.

3. Transport and delivery

3.1. Transport safety guidance



The permitted temperature range for storage and transport is between -20 °C and +50 °C.



Read the safety information and instructions before transporting the ventilation unit.



Always carry the ventilation unit with the help of another person. The ventilation unit must be handled with care during transportation and unpacking.



The edges of the ventilation unit may be sharp. Wear protective gloves to prevent cuts.

3.2. Checking the delivery

The box contains:

- Zehnder EVO 3 ventilation unit;
- Quick installation guide;
- EcoDesign label;
- Installation brackets;
- Bag containing the anti-vibration joints and fixing screws.

Check the nameplate to make sure that the unit delivered is the right one:

- EVO 3 HRV: unit with heat exchanger;
- EVO 3 ERV: unit with enthalpy exchanger;
- EVO 3 HRV PR: unit with heat exchanger and electric pre-heater;
- EVO 3 ERV PR: unit with enthalpy exchanger and electric pre-heater.



In the event of obvious damage to the ventilation unit or missing accessories, contact the supplier immediately.

The Zehnder EVO 3 ventilation unit is supplied without adjustment accessories. Refer to the relevant section for the optional accessories.

EN

DE

IT

FR

NL

ET

LT

LV

3.3. Unpacking the ventilation unit

Open the top of the cardboard packaging. Lift the ventilation unit out of the packaging and place it on a clean, soft surface to avoid damaging it.

Keep the cardboard box for use as a template for drilling the holes required during installation of the unit.



Handle the ventilation unit with care. Two people are required to lift the unit. Do not take hold of the unit by the fittings as this may damage them.



Dispose of the packaging material in an environment-friendly way.



Take care not to lose the accessories supplied.

4. EVO 3 unit characteristics

The Zehnder EVO 3 unit is a dual-flow controlled mechanical ventilation unit with performance of up to 88.9% (Declaration of Performance pursuant to EU 1254/2014), with a maximum ventilation flow rate of 300 m³/h, energy-saving fans and automatic bypass to enable “free cooling”.

EVO 3 unit characteristics:

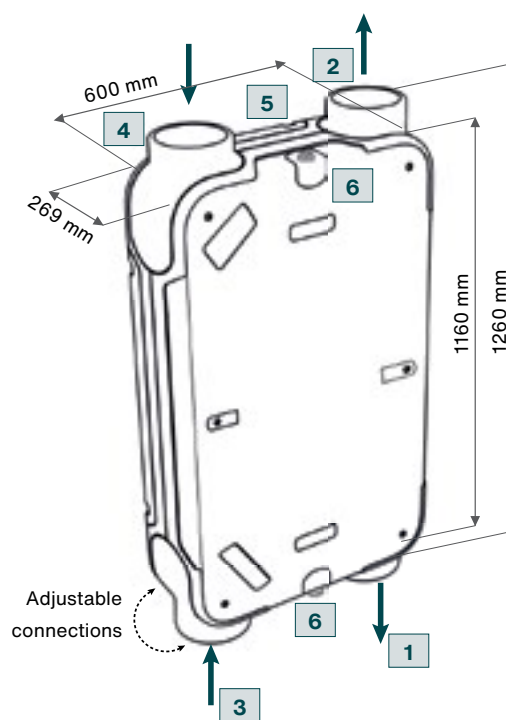
- continual adjustment of air flows via the control panel;
- filter status indicator;
- smart frost protection regulation system to ensure optimal operation even at low temperatures. If the unit purchased is a “PR” version the electric preheater is activated if necessary;
- low noise level;
- automatic bypass included as standard;
- constant flow rate adjustment;
- high performance and low energy use.

Zehnder EVO 3 is available in 4 versions:

- EVO 3 HRV: unit with sensitive heat exchanger;
- EVO 3 ERV: unit with enthalpy heat exchanger;
- EVO 3 HRV PR: unit with sensitive heat exchanger and electric pre-heater;
- EVO 3 ERV PR: unit with enthalpy heat exchanger and electric pre-heater.

These installation instructions apply to all versions of the Zehnder EVO 3 unit.

4.1. Connections



Key to standard “factory version” configuration

Symbol	Meaning
1	Flow of fresh air into apartment
2	Exhaust of stale air outdoors
3	Extraction of stale air from apartment
4	Intake of fresh air from outdoors
5	Electrical connections
6	Condensate drain *

* Connection to the condensate drainage system is necessary for EVO 3 HRV and EVO 3 HRV PR units. Refer to the relevant section for further information.

EN

DE

IT

FR

NL

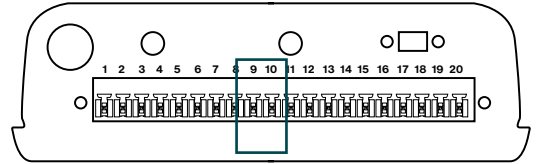
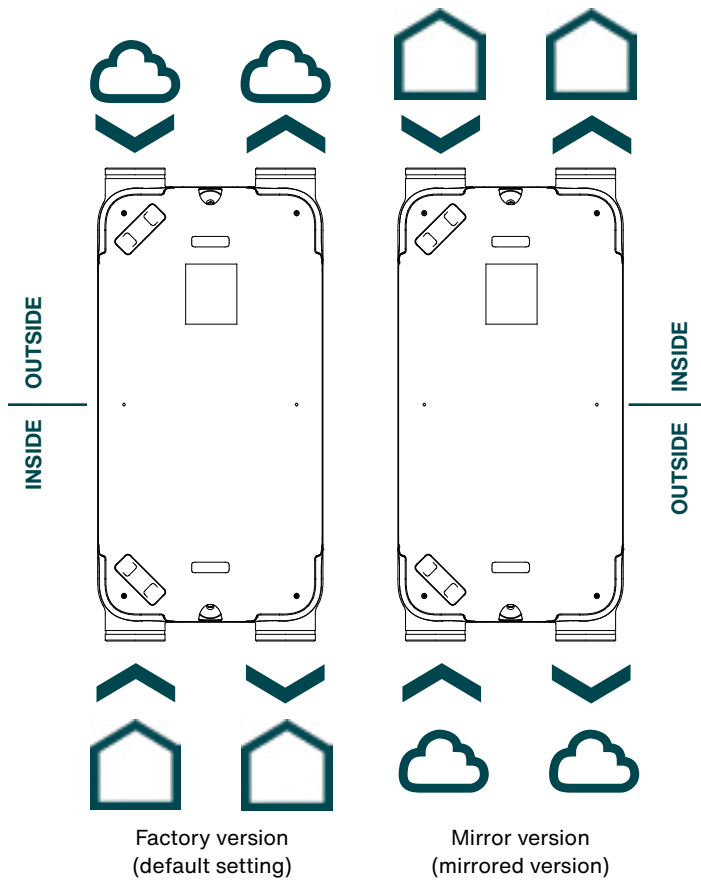
ET

LT

LV

4.2. Modifying the model from “factory version” to “mirror version”

To change the setting from “factory version” to “mirror version” simply place a jumper over connectors 9 and 10.



IMPORTANT!

If the unit is wall-mounted, it can **ONLY** be installed with the electrical connectors facing upward. The unit with heat exchanger (HRV) **MUST** be installed with the outside air inlet and stale air outlet connection point facing downward (“mirror version”).

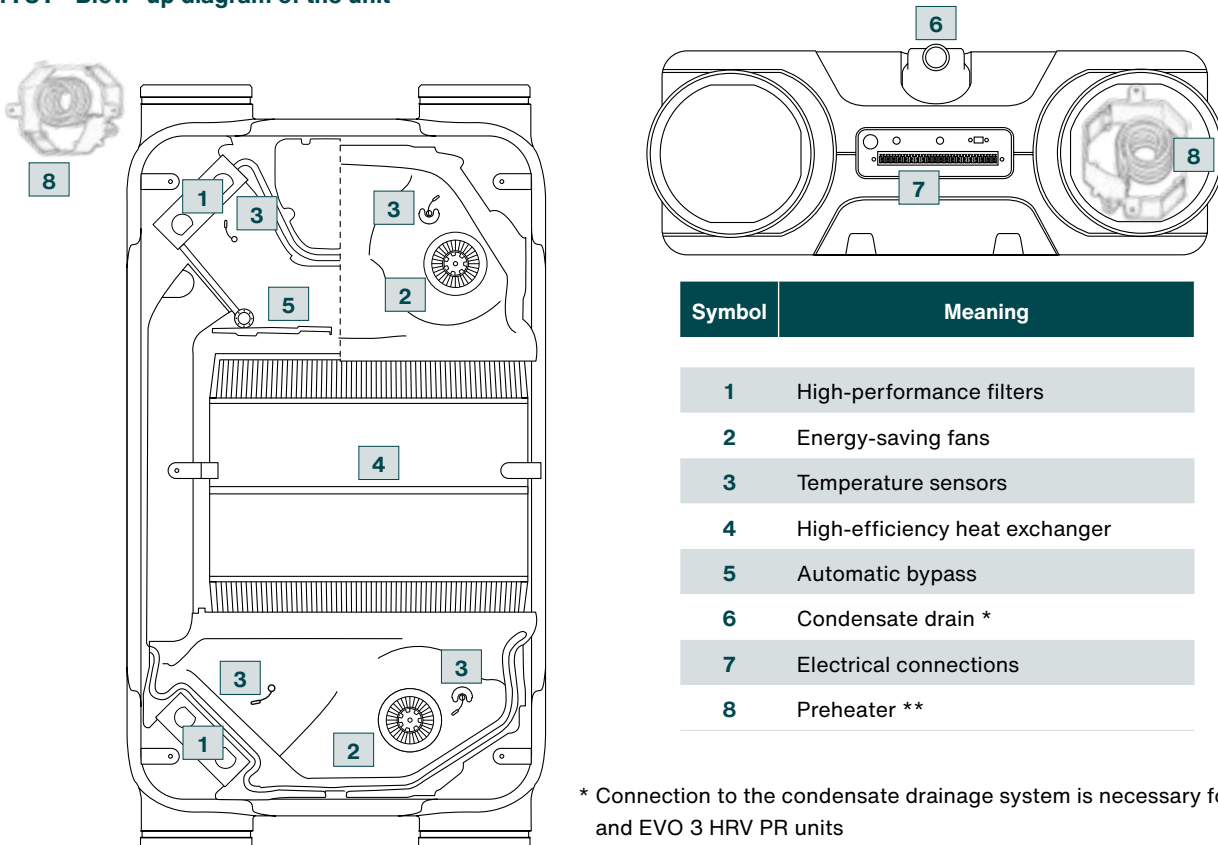
Refer to the relevant section.

IMPORTANT!

Modification of the model from “factory version” to “mirror version” is not possible for models:

EVO 3 HRV PR and EVO 3 ERV PR

4.3. Blow-up diagram of the unit








* Connection to the condensate drainage system is necessary for EVO 3 HRV and EVO 3 HRV PR units

** Included as standard on models EVO 3 HRV PR and EVO 3 ERV PR only

- EN
- DE
- IT
- FR
- NL
- ET
- LT
- LV

4.4. Technical specifications

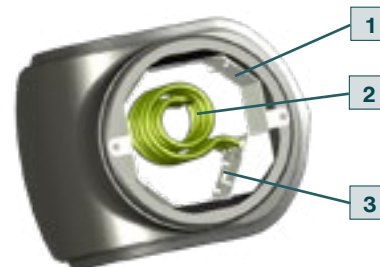
Zehnder EVO 3					
Dimensions (Length x Width x Depth)	1160 x 600 x 269 mm				
Weight	36 kg				
Installation	Horizontally in ceiling or vertically on wall (*)				
Installation ambient temperature range	from 10 to 45 °C				
Installation ambient humidity range	< 90 % non condensing				
Condensate drain connection (Ø)	1/2"				
Size of duct connections (Ø)	Ø 160				
Mains voltage	230 V / 50 Hz				
Maximum air flow rate	300 m ³ /h / 83.2 l/s				
	Zehnder EVO 3 HRV		Zehnder EVO 3 ERV		
Standard filters	2x ISO Coarse 65 % (G4) for flow and extract				
Optional filters	ISO ePM1 55% (F7) / ISO Coarse 65 % (G4) for flow and extract				
Ventilation mode					
ComfoSense S control	0	1	2	3	Boost
Ventilation default flow rate (m ³ /h)	90	120	180	240	300

(*) See relative section for options and precautions for wall-mounting the unit

4.5. Electric preheater models EVO 3 HRV PR and EVO 3 ERV PR

The electric preheater is installed as standard on EVO 3 HRV PR and EVO 3 ERV PR models, on the outdoor air inlet fitting. It increases the incoming air temperature by 10 °C, protecting the recovery unit on the coldest days of the year. Where possible, it is advisable to install an external pre-filter to prevent dirt from accumulating on the pre-heating element.

1. Heating elements in AISI304L stainless steel
2. Power 1 kW
3. Automatic cutout at 40 °C prevents overheating

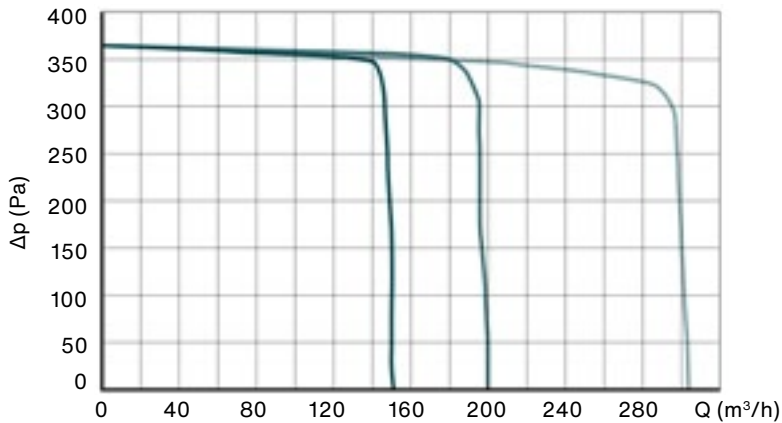


Energy efficiency classes in accordance with European Union Regulation no. 1254/2014.

Energy data		Energy data	
EU energy consumption label for EVO 3 HRV		EU energy consumption label for EVO 3 ERV	
Energy efficiency class	A+ **	Energy efficiency class	A **
Maximum volume air flow rate [m ³ /h]	300	Maximum volume air flow rate [m ³ /h]	300
Certified energy efficiency	88.9%	Certified energy efficiency	74.3%
Sound power level LWA dB(A)	45	Sound power level LWA dB(A)	45

** depending on the control unit/type of sensors chosen.

4.6. Energy efficiency classes



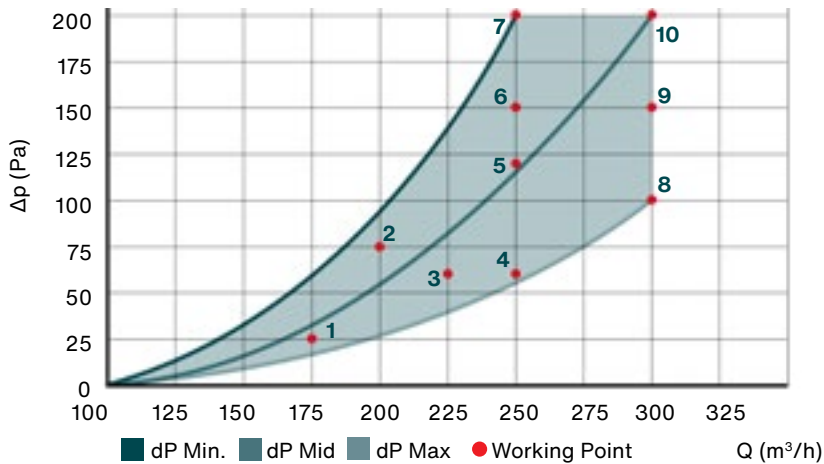
- low fan speed
- average fan speed
- high fan speed

4.7. Performance graphs

4.8. Working points

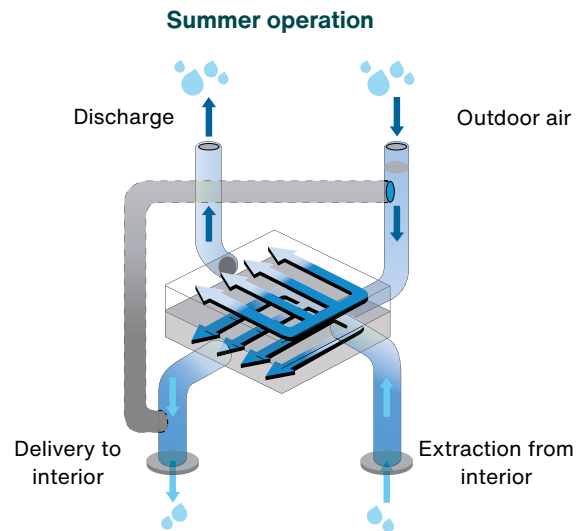
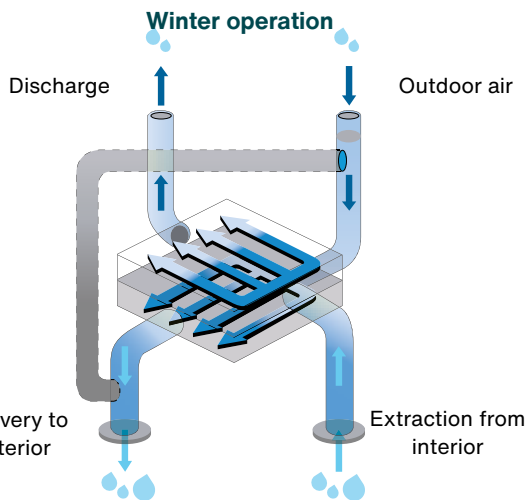
Working points

Point	Flow Rate [m³/h]	Pressure [Pa]	Power [W]	SFP [W/l/s]
1	175	25	28	0.58
2	200	75	56	1.01
3	225	60	66	1.06
4	250	60	84	1.21
5	250	120	106	1.53
6	250	150	113	1.63
7	250	200	151	2.17
8	300	100	133	1.60



9 300 150 146 1.75

- EN
- DE
- IT
- FR
- NL
- ET
- LT
- LV



10 300 200 153 1.84

4.9. Enthalpy heat exchanger operating principle

In winter, warm, humid air from kitchens and bathrooms is extracted from the home environment. Inside the heat exchanger, this air meets cold, very dry outdoor air and transfers its warmth and some of its humidity to it.

This means that the outdoor air is delivered to the room at a temperature and humidity that maintain the highest level of

indoor comfort, without drying the air excessively.

The enthalpy heat exchanger helps the heating system to maintain the ideal air temperature in even the coldest weather.

In summer, cool, dehumidified air is extracted from the indoor environment. Inside the heat exchanger, it meets the hot, humid outdoor air, pre-cooling and pre-dehumidifying it.

Thus the ventilation unit helps the active cooling and dehumidifying system to maintain indoor comfort, with very low energy use.

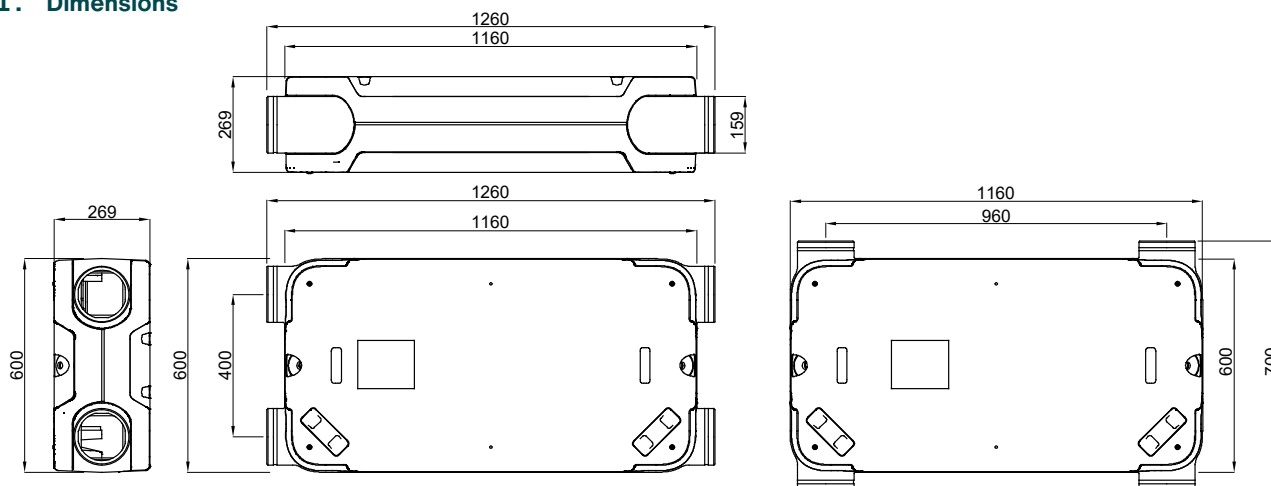
The enthalpy heat exchanger is idea for post-treatment of the air, as a dehumidifier in combination with the radiant cooling unit, or for air-conditioning ventilation.

4.10. Acoustic data

Sound levels									
Reference flow rate		m ³ /h	90	150	200	200	300	300	
Reference head		Pa	50	50	100	80	150	100	200
Sound power Lw (A)	Case breakout	dB(A)	36	40	44	46	49	52	54
	Extract / Intake	dB(A)	38	42	46	47	50	54	56
	Supply/Exhaust	dB(A)	53	55	60	61	64	67	69
Sound pressure Lp (A) at 1.5 m	Case breakout	dB(A)	21	25	29	31	34	37	39

5. Installation

5.1. Dimensions



5.2. Preliminary assessments



Disconnect the electricity supply before performing any installation or deinstallation procedure.



Make sure that the unit does not come into contact with water or water splashes.



During installation, keep children and pets away from the installation site.



Make sure that enough space is left for maintenance around, in front of and/or underneath the unit.

Two people are needed to install the ventilation unit correctly, without damaging it.

Zehnder EVO 3 can be mounted directly on a wall or ceiling using the mounting brackets supplied.

To avoid vibrations, the unit must be installed on a wall or ceiling with density of at least 200 kg/m²; simply a concrete or metal structure is not sufficient. In this case, additional measures such as dual stiffener plates or additional brackets are required.

The unit must be levelled vertically or horizontally (depending on the installation position) to prevent fan vibration and noise.

5.3. Installation



Do not install outdoors. Check that the temperature and humidity in the installation environment are within the permitted operating ranges at all times.

The ventilation may be installed either horizontal (on ceiling brackets) or vertical (on wall brackets).

If the chosen unit is an EVO 3 HRV or EVO 3 HRV PR, the place of installation must have an effective condensate drainage system with a siphon and sufficient gradient, which must be unobstructed at all times and not subject to frost, to ensure constant correct drainage of condensate.



Make sure that the gradient of the condensate drain is not parallel to or back towards the unit.

If the unit chosen is an EVO 3 ERV or EVO 3 ERV PR, the condensate drain is not necessary.

The installation site must provide sufficient space for both routine maintenance (filter replacement) and extraordinary maintenance (opening of the unit, extraction and cleaning of exchanger and fans, etc.).

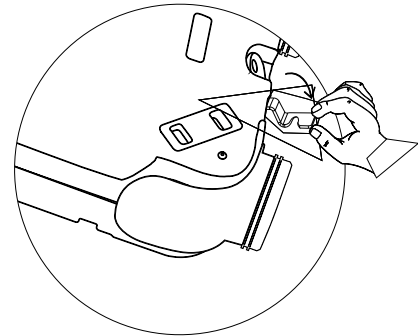
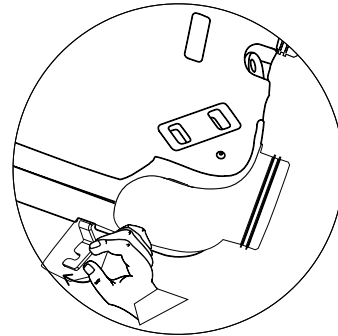


The unit is designed for wall or ceiling mounting. It CANNOT be installed on a floor.

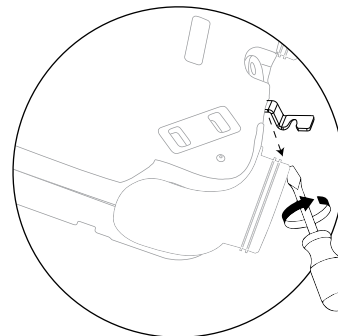
5.4. Ceiling - mounting

1. The unit is supplied with mounting brackets, provided in separate plastic bag inside the unit packaging.

- Position the mounting brackets on the long side or short side depending on the installation requirements.

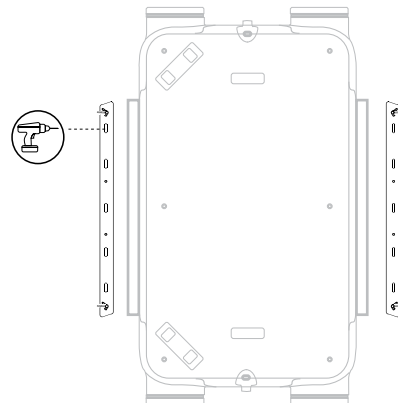


- Screw the brackets in place in the new position.



2. Drill holes in the surface as marked and screw the mounting brackets into the oval holes.

- Long side:



- EN
- DE
- IT
- FR
- NL
- ET
- LT
- LV

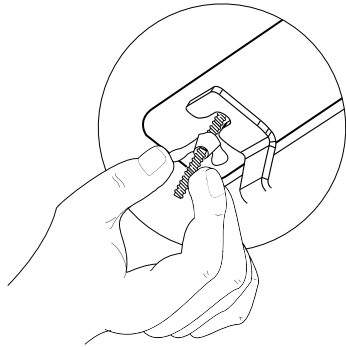
- Short side:



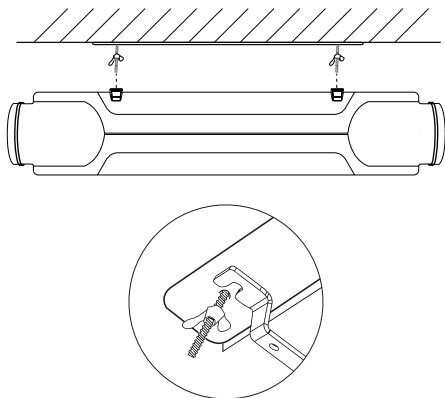
IMPORTANT!

The brackets must be 630 mm apart on the long sides (standard version) and 1,195 mm apart on the short sides.

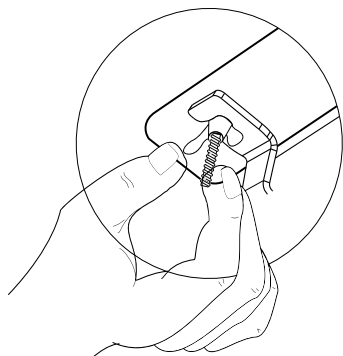
3. Unwind the wing-nuts until they are just 1 cm along the thread.



4. Place the unit on the top of the guide and slide it along until it engages with the threaded bar.



5. Retighten the wing-nuts to secure the unit to the bracket.



5.5. Wall-mounting

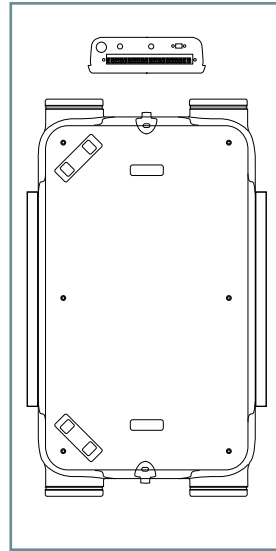


The unit must be installed vertically, and levelled on the vertical plane, to ensure effective condensate drainage.

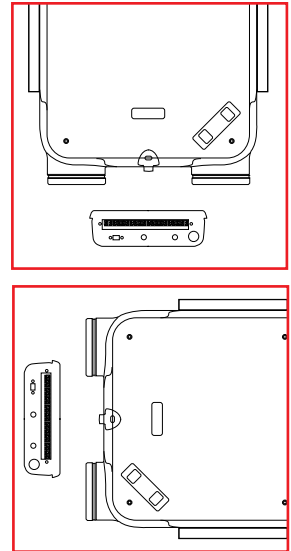


ONLY install with the control circuit board connector facing upward. The unit cannot be installed upside-down, with the connector facing downward.

Correct installation

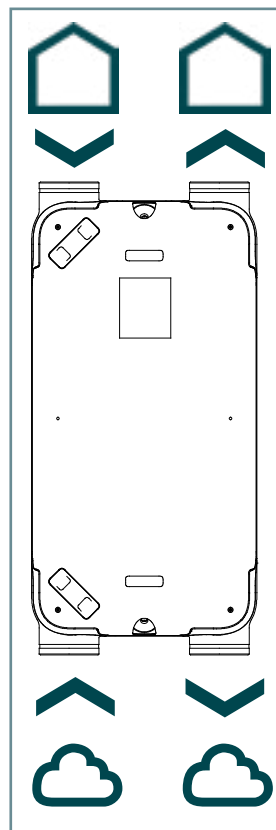


INCORRECT installations

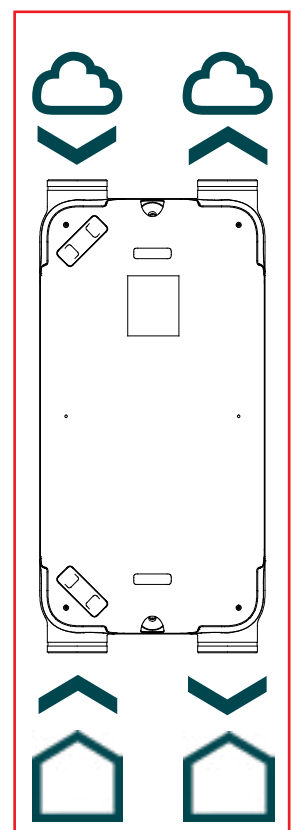


ONLY install the unit with sensitive exchanger (HRV) in "mirror version", with the outside air inlet and stale air outlet connection point facing downward.

Correct installation



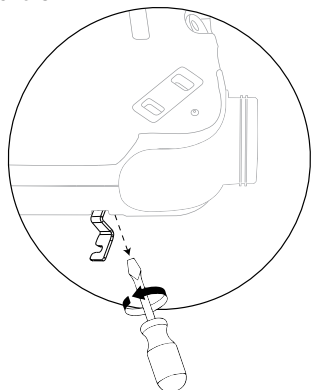
INCORRECT installation



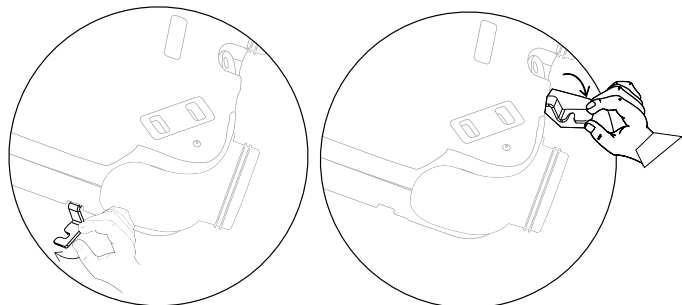
- EN
- DE
- IT
- FR
- NL
- ET
- LT
- LV

1. The unit is supplied with the mounting brackets prefitted on the long side. To move them to the short side, proceed as follows.

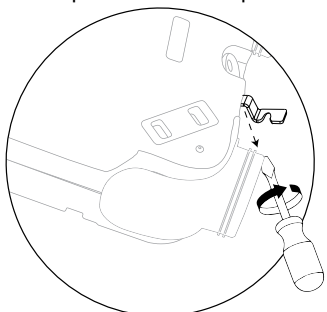
- Unscrew the brackets.



- Move the brackets to the short side, keeping them the same way round.

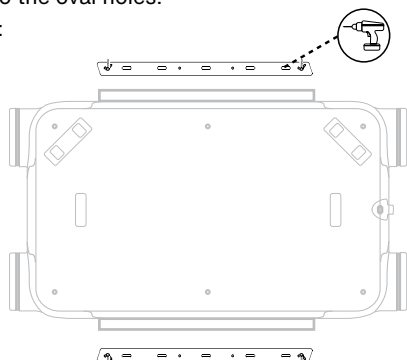


- Screw the brackets in place in the new position.

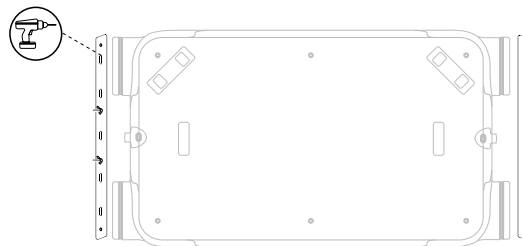


2. Drill holes in the surface as marked and screw the mounting brackets into the oval holes.

- Long side:



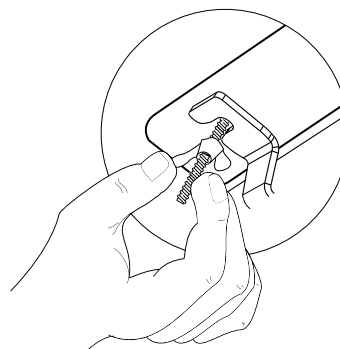
- Short side:



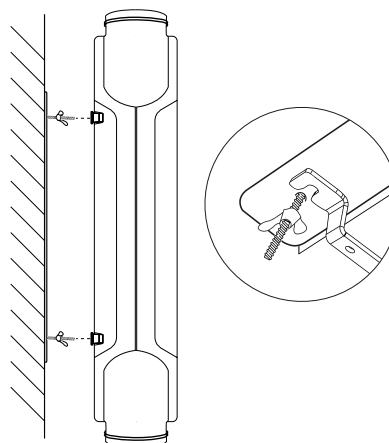
IMPORTANT!

The brackets must be 630 mm apart on the long sides (standard version) and 1,195 mm apart on the short sides.

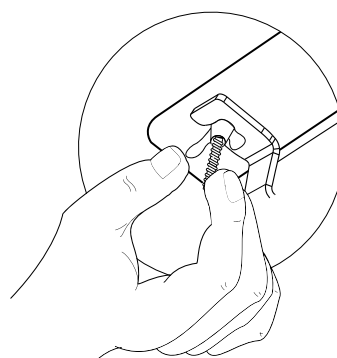
3. Unwind the wing-nuts until they are just 1 cm along the thread.



4. Place the unit on the top of the guide and slide it along until it engages with the threaded bar.



5. Retighten the wing-nuts to secure the unit to the bracket.

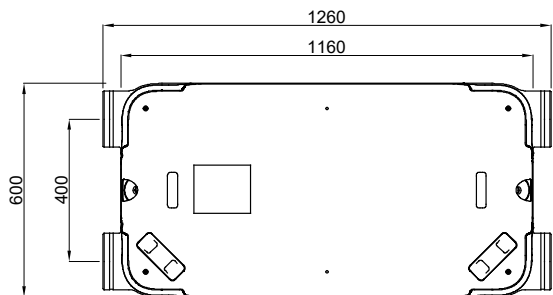


- EN
- DE
- IT
- FR
- NL
- ET
- LT
- LV

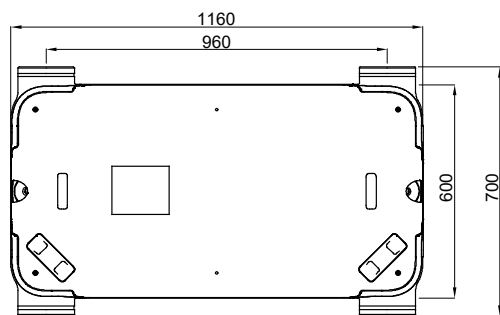
5.6. Positioning the connections

The procedure for turning the distribution connection fittings is shown below.

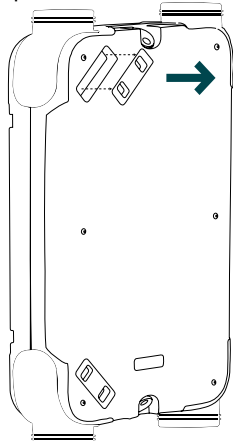
- Default configuration:



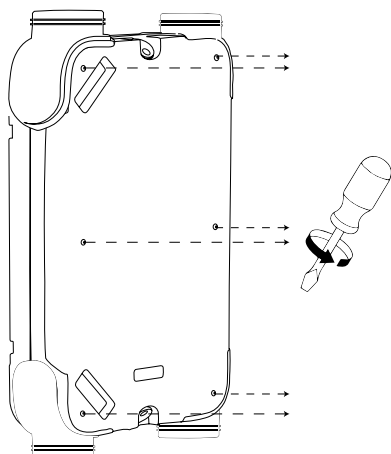
- Configuration with connections turned through 90°:



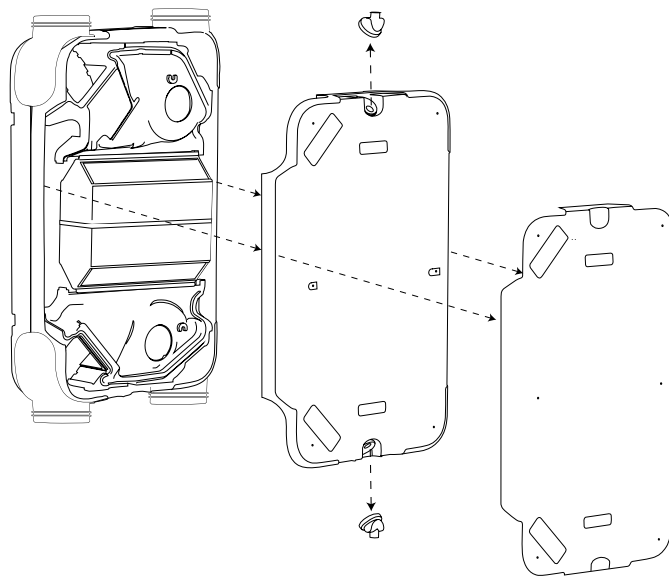
1. Remove the filter caps



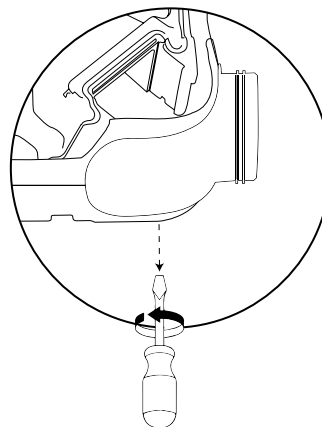
2. Undo the outside screws on the cover



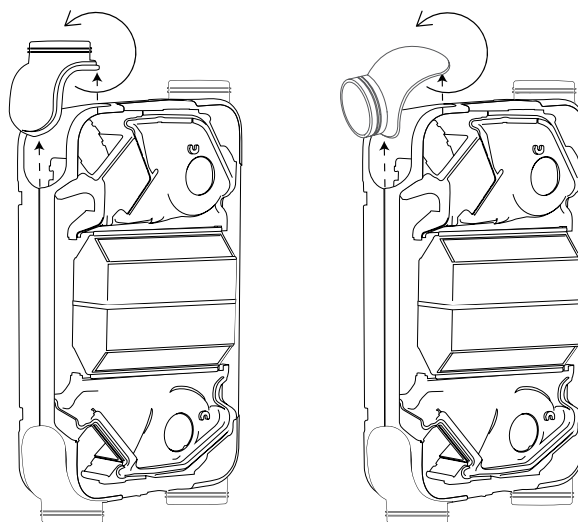
3. Remove the outer metal cover and the polypropylene top cover, exposing the inside of the unit



4. Undo the retainer screws of the EPP connections



5. Lift and turn the connections, rotate them and put them back in place



EN

DE

IT

FR

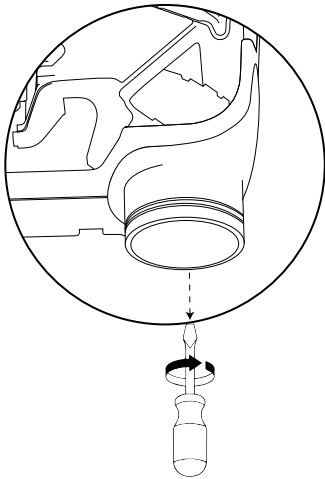
NL

ET

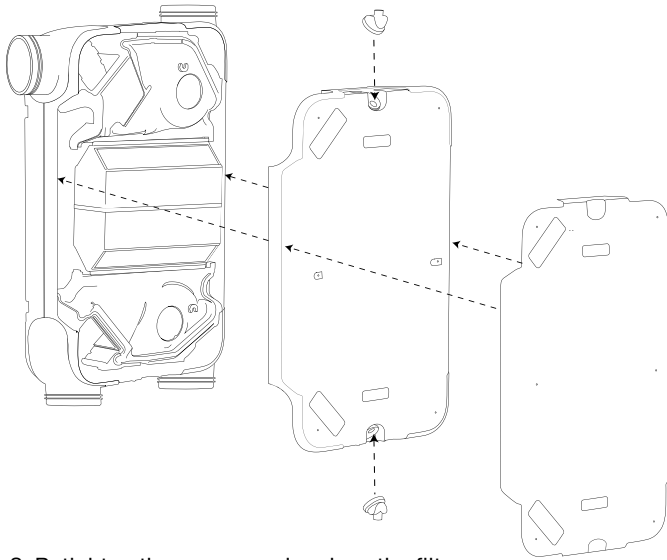
LT

LV

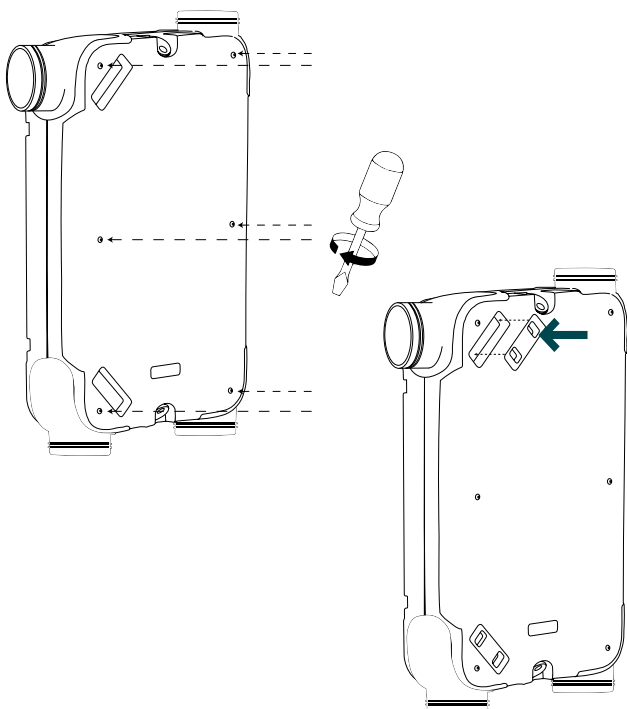
6. Retighten the connection screws



7. Replace the polypropylene top cover and the metal cover



8. Retighten the screws and replace the filter caps



5.7. Connecting the condensate drain

Zehnder EVO 3 HRV and Zehnder EVO 3 HRV PR units must be provided with a condensate drain system. This is not necessary for EVO 3 ERV and EVO 3 ERV PR units. Screw the 1/2" male threaded siphon (not included in the supply package, must be ordered separately) onto the unit's condensate drain fitting.

For correct maintenance, install the siphon so that it can be removed and inspected easily.

The unit's condensate drain connection may be pointing horizontally or downwards.

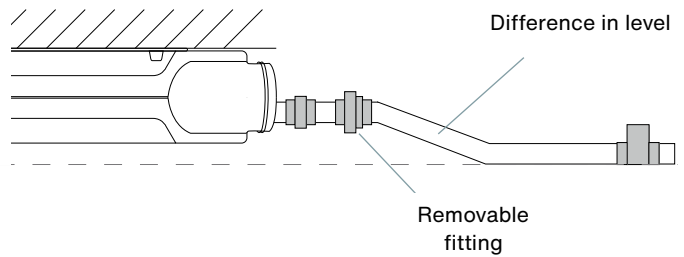


Make sure that the gradient of the condensate drain is not parallel to or back towards the unit.

Important!

In EVO HRV and EVO HRV PR units only one condensate drain is connected; the other one must be plugged. In EVO ERV and EVO ERV PR units both condensate drains must be plugged. The plugs are supplied.

The instructions for installing the condensate drain for an EVO unit installed horizontally are provided below:



If the unit is installed horizontally on a ceiling, the condensate drain must be below the level of the unit itself.

Warning!

The warranty is valid provided a genuine Zehnder dry siphon is installed and the condensate drainage system is constructed correctly. Otherwise, Zehnder considers itself relieved of all responsibility in case of damage to the unit.

- EN
- DE
- IT
- FR
- NL
- ET
- LT
- LV

6. Electrical connections

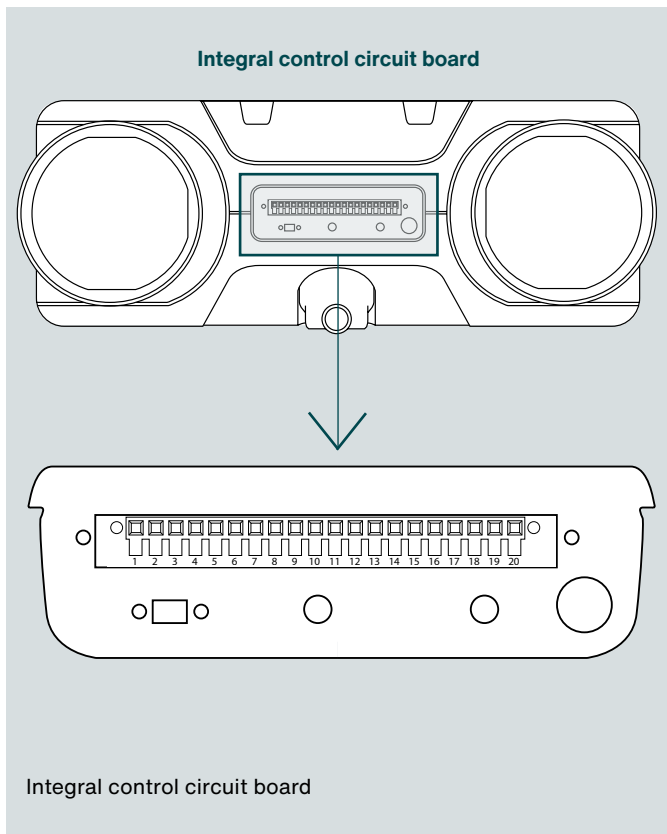
The connection to the mains power supply must be made in accordance with the regulatory standards.

The fans and the electronic circuit board operate on a power supply voltage of 230 V.



The mains power supply must be disconnected during all work on the unit, installation or maintenance.

Colour-coding of wiring	
Brown	Live
Blue	Neutral
Green/yellow	Ground

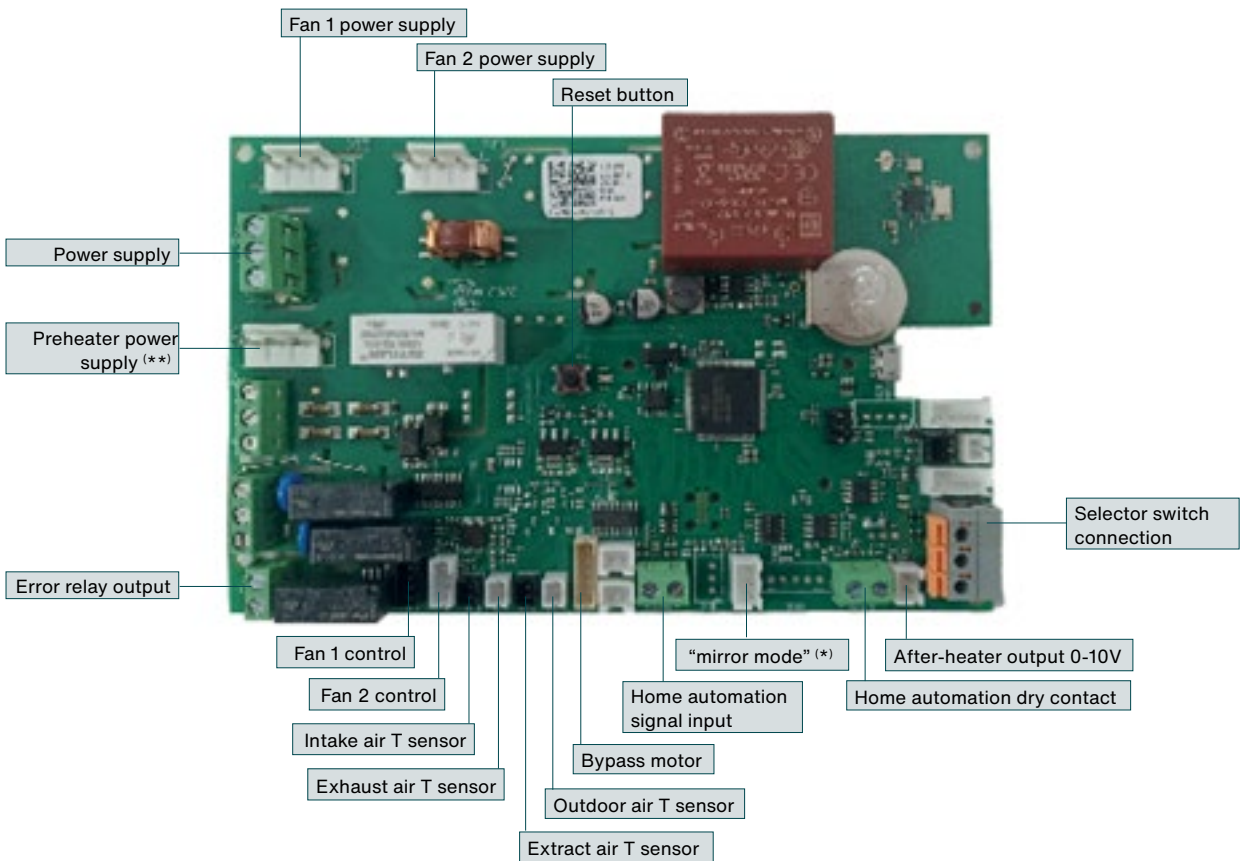


Description of connectors		
Conn.	Description	Circuit board
PIN 1	Home automation - 10V	X-26
PIN 2	Home automation - 0V	X-26
PIN 3	Home automation - dry contact	X-25
PIN 4	Home automation - dry contact	X-25
PIN 5	Not used	-
PIN 6	Not used	-
PIN 7	After-heater 10 V output (*)	X-16
PIN 8	After-heater 0 V output (*)	X-16
PIN 9	“Mirror mode” NO/NC (*)	X-32
PIN 10	“Mirror mode” NO/NC (*)	X-32
PIN 11	Not used	-
PIN 12	Selector switch V1 common	X-510
PIN 13	Selector switch V2	X-510
PIN 14	Selector switch V3	X-510
PIN 15	Preheater 230 V output (**)	X-17
PIN 16	Preheater earth output (**)	X-17
PIN 17	Preheater neutral output (**)	X-17
PIN 18	Not used	X-28
PIN 19	Not used	X-28
PIN 20	Not used	X-28

(*) Pin not used on models Zehnder EVO 3 HRV PR and Zehnder EVO 3 ERV PR

(**) In models with preheater included as standard, these pins are used for the after-heater (optional) and not for the preheater.

- EN
- DE
- IT
- FR
- NL
- ET
- LT
- LV



(*) Not used in models Zehnder EVO 3 HRV PR and EVO 3 ERV PR.

(**) Used for after-heater in models Zehnder EVO 3 HRV PR and EVO 3 ERV PR.

- EN
- DE
- IT
- FR
- NL
- ET
- LT
- LV

7. Controls and connectivity

Zehnder EVO series units may be monitored and controlled in various ways. The following is a list of the accessories available.

7.1. Zehnder Multi Control



Zehnder EVO units can be controlled via Zehnder Multi Control, enabling combination with Zehnder ComfoDew or Zehnder ComfoPost post-treatment systems.

The ventilation unit takes the minimum fan speed as default. Via the relays it contains, Multi Control activates the second and third fan speeds when requested by the user or when necessary to meet post-treatment needs.

With the Multi Control, users can select manual or automatic operating mode, write weekly timing programs and view the filter change alarm.



If another control, such as Zehnder EVO Sense, is connected to monitor and control the unit in addition to Multi Control, the other control must be left in manual mode and on fan speed 1 at all times. Otherwise, Multi Control will not function correctly.



The Zehnder Multi Control can be connected to the “Zehnder Multi Controller” app, which monitors and controls the ventilation unit, the thermal zones and the heating system.

7.2. Zehnder EVO Sense wireless



The EVO Sense wireless smart control device communicates with the ventilation unit via RF (radio frequency) and allows selection of five different flow rates. It also enables users to write daily and weekly timing programs and set automatic operating mode. It is a smart user and installation interface for supervising and configuring the connected ventilation unit.

7.3. Zehnder EVO Switch RF



The EVO Switch 4-setting wireless push-button control device communicates with the ventilation unit via RF (radio frequency) with a choice of four different operating modes. It has a filter change alarm indicator.

7.4. RF CO₂ sensor



The wireless CO₂ sensor monitors the level of carbon dioxide in the room where it is placed and sends its readings to the Zehnder EVO unit via RF (radio frequency). The unit varies its flow rate accordingly, choosing the right level to guarantee indoor air quality on the basis of the data sent by the sensor.

7.5. RF humidity sensor



The wireless sensor monitors the relative humidity of the air in the room where it is placed and sends its readings to the Zehnder EVO unit via RF (radio frequency). The unit varies its ventilation flow rate accordingly, choosing the right level to guarantee indoor air quality on the basis of the data sent by the sensor.

7.6. Smart connectivity

You can make your home a smart home with the aid of various interface methods:

- EVO Connect ModBus;
- EVO Connect ModBus-KNX.

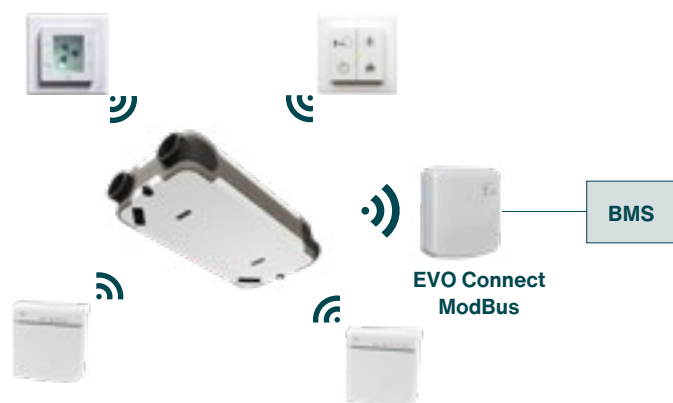
7.6.1. EVO Connect ModBus

The “EVO Connect ModBus” device is wired to the Building Management System (BMS) and, via ModBus language, is used to read and enter data relating to the EVO ventilation unit and any compatible sensors (relative humidity/CO₂) and wireless control devices (EVO Sense/EVO Switch) connected.

It communicates with the EVO unit via RF.



EVO Connect ModBus - KNX requires a 24 V AC/DC power supply in order to function correctly.



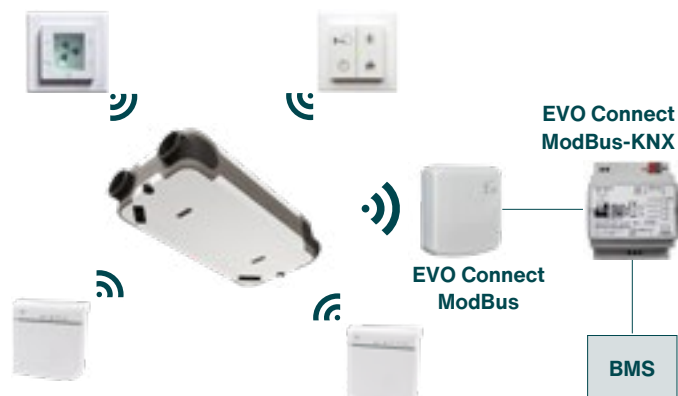
7.6.2. EVO Connect ModBus - KNX

The “EVO Connect ModBus - KNX” device is a ModBus/KNX converter for wiring to the EVO Connect ModBus gateway to translate the data gathered by the gateway and send them by wire to the BMS.

It gathers data from the EVO units and any compatible sensors (relative humidity/CO₂) and wireless control devices (EVO Sense/EVO Switch) connected.



EVO Connect ModBus - KNX requires a 24 V AC/DC power supply in order to function correctly.



EN

DE

IT

FR

NL

ET

LT

LV

8. Commissioning

The ventilation unit can be put into operation after installation. Proceed as follows.

- Read through the commissioning instructions before starting.
- Close all windows and external and internal doors.
- Check that all valves have been fitted correctly and open them as far as possible.
- Make sure that all ventilation unit and valve filters are in as-new condition. Fouled filters may falsify the outcome of commissioning.
- Set the ventilation unit on fan speed 3. Automatic mode must not be activated.
- Make sure that the gaps under the doors or the transit grilles are unobstructed and allow air to pass freely. They must remain in this condition throughout all subsequent operation of the ventilation unit.
- Start to adjust the valves, starting from the valve which receives the lowest air flow (usually the valve furthest from the ventilation unit). Use a calibrated measuring instrument to set the required nominal air flow on each valve.
- To minimise energy use, make sure that one fresh air supply valve and one stale air extraction valve are open to their full extent.
- Repeat the volumetric flow adjustment until all the valves are set at the required flow rate.
- If it is not possible to balance the air flow rate with the set speeds, the fan rpm can be adjusted according to the needed flow rates.

9. Operation

The unit is delivered ready for connection to the electricity supply and its operation is completely automatic. The stale air extracted from indoors transfers thermal energy to the fresh air from outdoors. The fresh, clean air is supplied to the inside of the home at a pre-conditioned temperature, cool in summer and warm in winter, providing significant energy savings.

Up to five ventilation flow rates may be available depending on the type of control system used.

The unit is regulated with a constant flow rate, meaning that the air delivery and extraction flow rates are achieved irrespective of the pressure drop in the ducting.

9.1. Operation of the bypass

The bypass provided as standard allows outdoor air to be supplied directly, passing through the filter but not through the heat exchanger, to benefit from favourable outdoor temperatures at specific times, such as at night in summer, when it is preferable to allow fresh air to enter to reduce the temperature inside the home free of charge ("free cooling"). The bypass valve is tripped automatically when specific conditions are met, as shown in the table below.

Operation of the bypass	
Bypass open	<ul style="list-style-type: none"> ▪ The outdoor temperature is above 10 °C. ▪ In summer, the outdoor temperature is 3 °C below the temperature of the air extracted from the home and below the comfort temperature. ▪ In winter, the outdoor temperature is 3 °C above the temperature of the air extracted from the home and above the comfort temperature.
Bypass closed	<ul style="list-style-type: none"> ▪ The outdoor temperature is below 10 °C. ▪ In summer, the outdoor temperature is above the temperature of the air extracted from the home and above the comfort temperature. ▪ In winter, the outdoor temperature is below the temperature of the air extracted from the home and below the comfort temperature.

9.2. Frost protection safety device

WARNING!

The Zehnder EVO unit automatically detects the current season.

To prevent ice from forming on the heat exchanger when the outdoor temperatures are very low, the Zehnder EVO is equipped with a frost protection safety device.

The sensors measure the temperatures in the heat exchanger and if necessary the fans generate a gradually increasing imbalance between the flows.

When the temperature reaches -2°C in models Zehnder EVO 3 HRV and Zehnder EVO 3 ERV without preheater, or -16°C in models Zehnder EVO 3 HRV PR and Zehnder EVO 3 ERV PR with preheater, the unit cuts out to prevent damage to the heat exchanger, checking once every hour whether the temperature has returned to safe operating levels.

EN

DE

IT

FR

NL

ET

LT

LV

10. Maintenance procedure



Perform all the preventive maintenance procedures listed in this section regularly. If preventive maintenance procedures are not carried out regularly, the ventilation system's performance will be impaired.



Before starting maintenance, run the ventilation unit at fan speed 3 for at least two minutes to remove the condensate from the heat exchanger.



If a component has to be replaced, order a genuine spare part from Zehnder and have all work performed by a Zehnder representative.



Except for filter replacement, all maintenance must be performed by specialist personnel.



Before starting maintenance jobs, always disconnect the ventilation unit from the electrical power supply, unless otherwise specified. If the unit is operated when open there is a real risk of personal injury. Make sure that it cannot be started up accidentally.



Take suitable measures to prevent electrostatic discharges when working with the electronics, since electrostatic electricity can damage them beyond repair.

10.1. Air filter maintenance

This maintenance procedure can be performed by the user.

The filters should be checked every three months. In the event of coarse dirt (insects, small parts of plants, etc.) they can be vacuum-cleaned and returned to the unit.

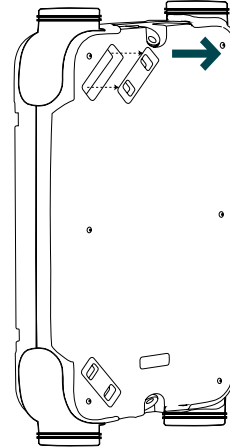
Filters must be changed at least every six months. Obtain replacement filters in advance, taking care to make sure that they are genuine Zehnder filters.

WARNING!

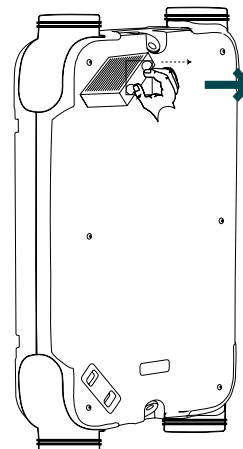
The Zehnder EVO unit must never be operated without filters.

1. If an EVO Sense remote control is used, run the filter replacement procedure on the control. Otherwise, switch off the unit. If the unit is connected to an EVO Switch or Multi Control device, remember to reset the filter change alarm once the procedure has been completed.

2. Remove the caps from the filter section.



3. Gently remove the fouled filters by means of the tabs provided. If the two filters are not the same, note their positions: the ISO ePM1 filter is installed on the outdoor air inlet and the ISO Coarse filter is fitted on the room air extraction inlet.



EN

DE

IT

FR

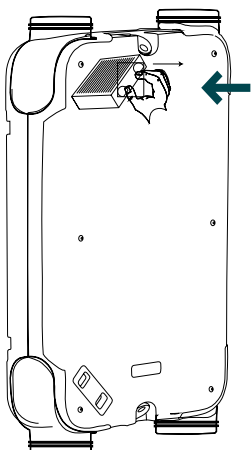
NL

ET

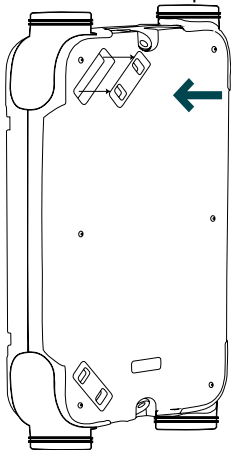
LT

LV


4. Refit the filters in their compartments, positioning them as specified in point 3.



5. Put the caps back on the filter compartments.



6. Terminate the filter replacement procedure or restart the unit.

 **When the unit's filters are changed, also clean the filters on the internal grilles or valves and the external air discharge grilles.**

 **Dispose of the fouled filter as non-recyclable waste.**

10.2. Cleaning the ventilation unit

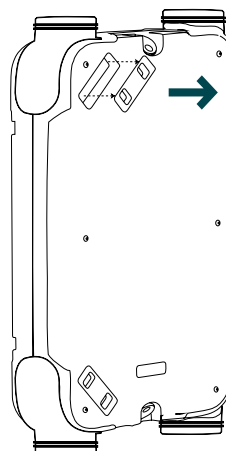
All internal components of the EVO unit (heat exchanger, fans, etc.) must be inspected and cleaned every two years.

WARNING!

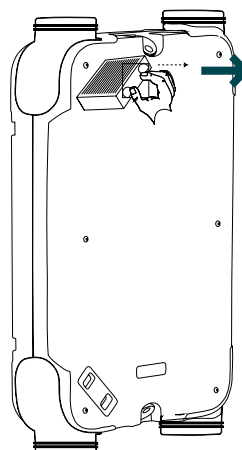
This maintenance job must only be carried out by a Zehnder authorised, qualified engineer. Contact your nearest Zehnder representative.

1. Disconnect the unit from the electrical power supply.

2. Remove the caps from the filter section.



3. Gently remove the filters by means of the tabs provided. If the two filters are not the same, note their positions: the ISO ePM1 filter is installed on the outdoor air inlet and the ISO Coarse filter is fitted on the indoor air extraction inlet.



EN

DE

IT

FR

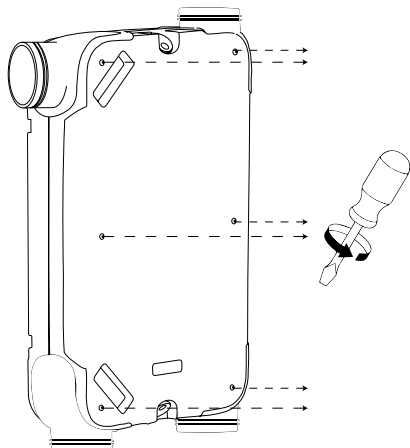
NL

ET

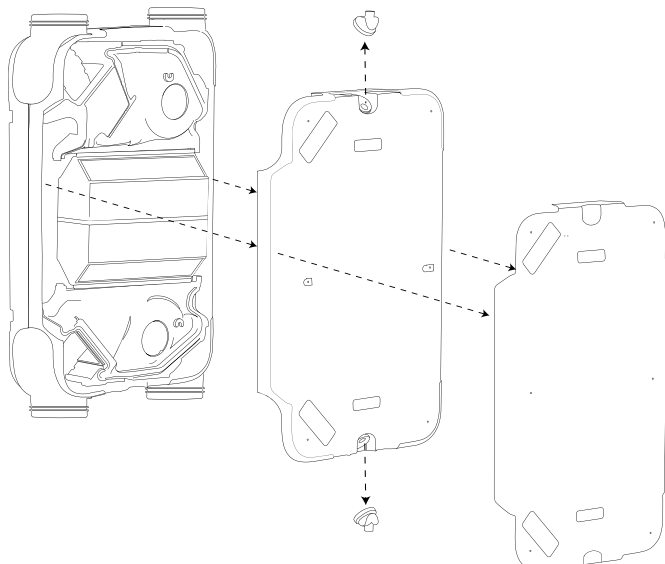
LT

LV

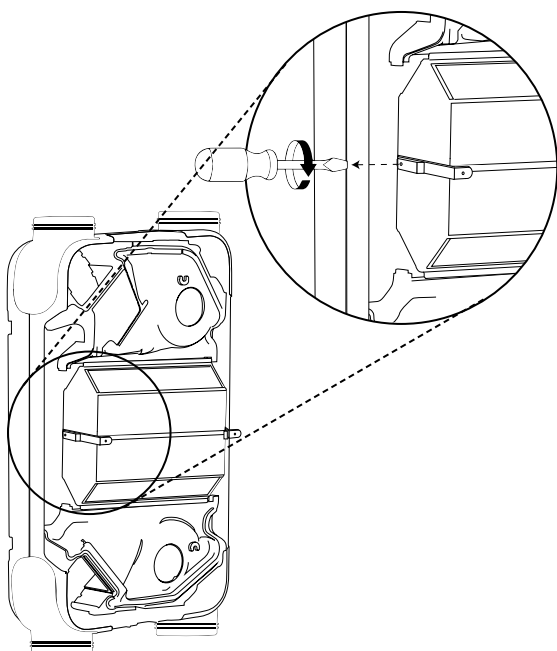
4. Remove the screws of the external metal cover



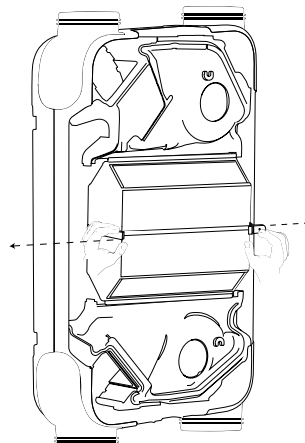
5. Remove the metal cover and the polypropylene cover, exposing the heat exchanger, fans and bypass duct.



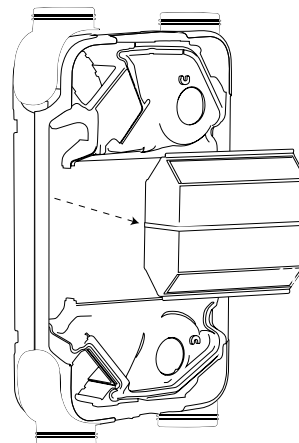
6. Undo and remove the left mounting bracket



7. Separate the brackets which retain the heat exchanger, allowing its removal

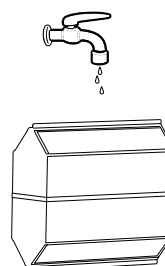


8. Remove the heat exchanger



Remove the heat exchanger with care. There may be a little condensate inside the heat exchanger.

9. Clean the heat exchanger in running water



10. Check that the visible interior of the unit is clean: heat exchanger compartment, bypass duct, polypropylene parts. Clean with a soft cloth if necessary.

11. Clean the fans with a vacuum cleaner fitted with a brush and check that they are not damaged. If they are, replace them.

EN

DE

IT

FR

NL

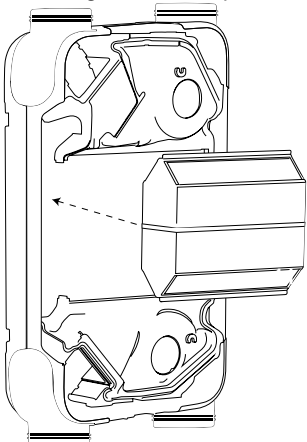
ET

LT

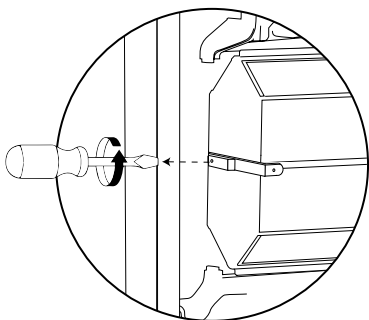
LV

12. Once the cleaning procedures are complete, reassemble the unit.

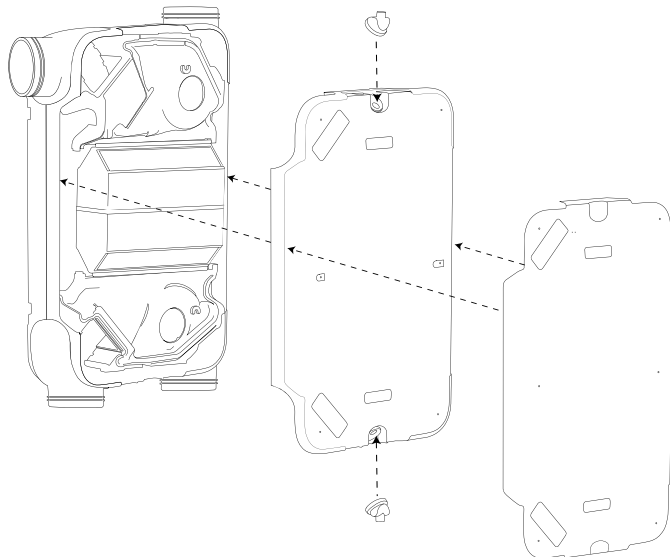
13. Return the heat exchanger to its compartment



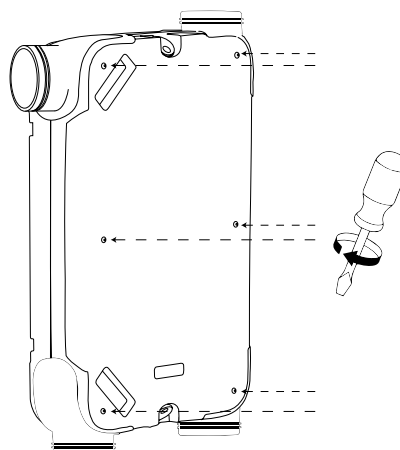
14. Replace the left bracket and retighten the screw



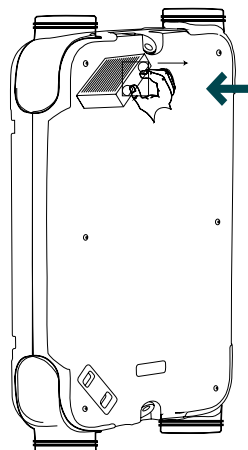
15. Replace the polypropylene and metal covers.



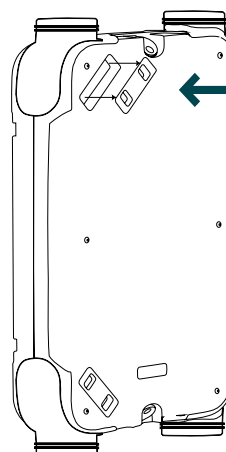
16. Retighten the screws on the metal cover.



17. Refit the filters in their compartments, positioning them as specified in point 3



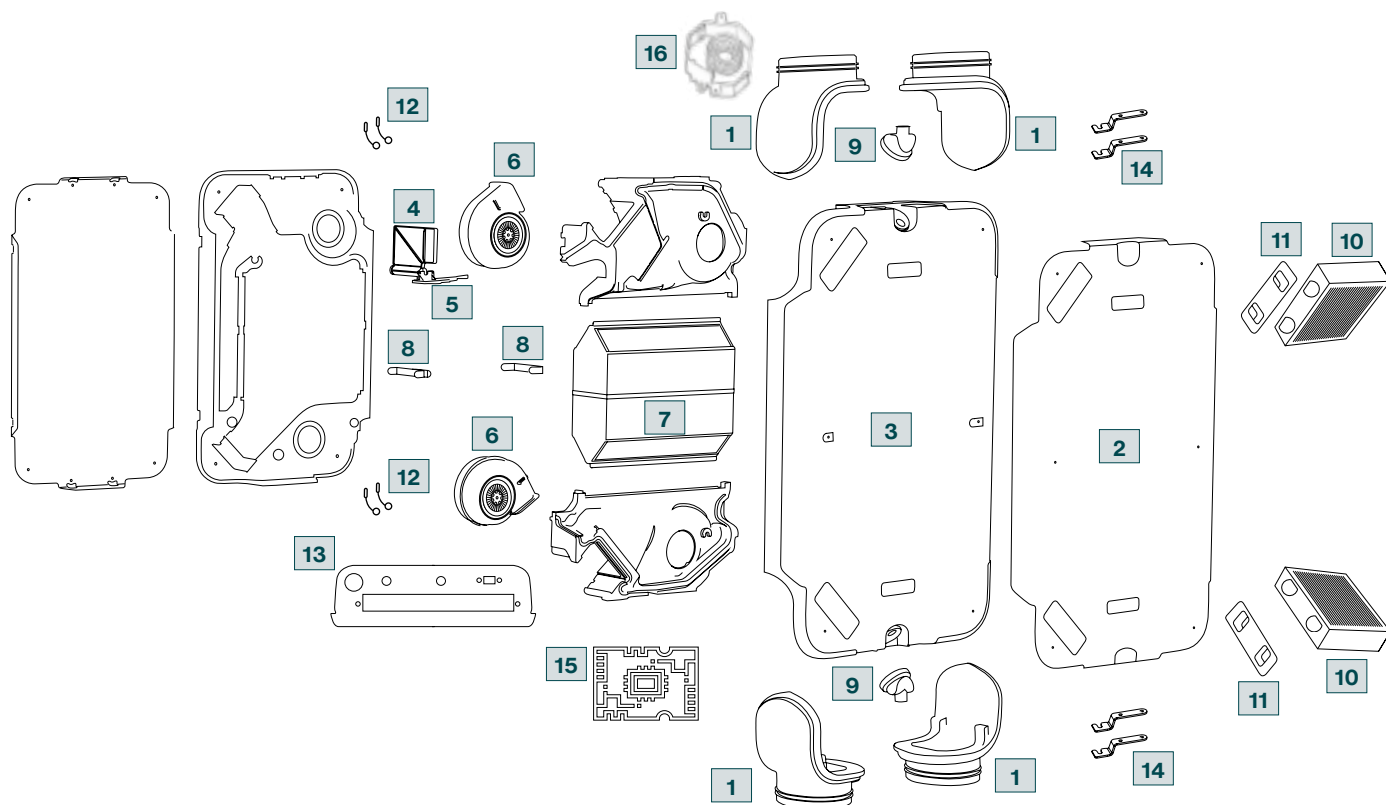
18. Refit the filter covers



Make sure that the polypropylene top cover is perfectly aligned with the bottom, with no gaps at the sides. Otherwise, check that the wires are correctly fitted into the grooves provided for them.

- EN
- DE
- IT
- FR
- NL
- ET
- LT
- LV

11. Overview of the unit and description of the components



No.	Component description	no. of pieces
1	Swivel fittings	4 pieces
2	Front cover	1 piece
3	Polypropylene cover for fans, heat exchange, electronics	1 piece
4	Bypass valve	1 piece
5	Bypass valve motor	1 piece
6	High-efficiency fans	2 pieces
7	High-efficiency energy recovery heat exchanger	1 piece
8	Heat exchanger mounting brackets	2 pieces
9	Swivel condensate drain	2 pieces
10	High-performance filters	2 pieces
11	Filter cover	2 pieces
12	Temperature sensor	4 pieces
13	Connection board	1 piece
14	Sound-damping unit	4 pieces
15	Electronic circuit board	1 piece
16	Pre-heater (*)	1 piece

(*) Only included on models Zehnder EVO 3 HRV PR and Zehnder EVO 3 ERV PR.

EN

DE

IT

FR

NL

ET

LT

LV

1. Inhaltsverzeichnis

1.	Einleitung	3
1.1.	Verwendung der Zehnder EVO Lüftungsanlage	3
1.2.	Garantie	3
2.	Beschreibung und Sicherheit	3
2.1.	Beschreibung	3
2.2.	Sicherheit	4
2.3.	Montagebedingungen	4
2.4.	Bestimmungen für den Betrieb mit Feuerstätten	5
2.5.	Konformität	5
3.	Transport und Lieferung	5
3.1.	Transportsicherheitshinweise	5
3.2.	Überprüfen der Lieferung	5
3.3.	Auspacken des Lüftungsgeräts	6
4.	Eigenschaften des Geräts Zehnder EVO 3	6
4.1.	Anschlüsse	6
4.2.	Umstellung von Werks- zur Spiegelversion	7
4.3.	Überblick über das Lüftungsgerät	7
4.4.	Technische Daten	8
4.5.	Elektrische Vorheizung (nur für EVO 3 HRV mit Vorheizregister und EVO 3 ERV mit Vorheizregister)	8
4.6.	Energieeffizienzklassen	8
4.7.	Leistungsdiagramme	9
4.8.	Leistungsdaten	9
4.9.	Funktionsprinzip des Enthalpietauschers	9
4.10.	Schalldaten	10

5.	Montage	10
5.1.	Abmessungen	10
5.2.	Sicherheitsanweisungen - Installation	10
5.3.	Montage	11
5.4.	Deckenmontage	11
5.5.	Wandmontage	12
5.6.	Positionieren der Anschlüsse	14
5.7.	Anschluss des Kondensatablaufs	15
6.	Elektrische Anschlüsse	16
7.	Bedienelemente und Konnektivität	18
7.1.	Zehnder Multi Control	18
7.2.	Zehnder EVO Sense RF	18
7.3.	Zehnder EVO Switch RF	18
7.4.	Zehnder EVO CO2-Sensor (via Funk)	18
7.5.	Zehnder EVO RH-Feuchtesensor (via Funk)	18
7.6.	Intelligente Konnektivität	19
7.6.1.	Zehnder EVO Connect ModBus (via Funk)	19
7.6.2.	Zehnder EVO Connect ModBus-KNX	19
8.	Inbetriebnahme	20
9.	Betrieb	20
9.1.	Bypass	20
9.2.	Frostschutz	20
10.	Wartungsverfahren	21
10.1.	Wartung der Luftfilter	21
10.2.	Reinigung des Lüftungsgeräts	22
11.	Geräteübersicht und Beschreibung der Komponenten	25

EN

DE

IT

FR

NL

ET

LT

LV

1. Einleitung

Warnung!



Lesen Sie diese Anleitung vor der Montage und Inbetriebnahme sorgfältig durch.

Dieses Dokument unterstützt Sie bei der sicheren und bestmöglichen Montage, Inbetriebnahme und Wartung des Komfort-Lüftungsgerätes Zehnder EVO 3. Zehnder EVO 3 wird im Folgenden auch als „Lüftungsgerät“ bezeichnet.

Da unsere Produkte ständig weiterentwickelt und verbessert werden, kann es sein, dass sich Ihr Gerät von den hier gegebenen Beschreibungen unterscheidet.

Die aktuelle Ausgabe der Montageanleitung steht auf der Zehnder-Webseite zum Download bereit.

Folgende Piktogramme werden verwendet:

Symbol	Bedeutung
	Wichtiger Hinweis
	Gefahr einer Beeinträchtigung der Leistung oder eines Schadens am Lüftungssystem.
	Risiko von Personenschäden

! ? Fragen

Bitte wenden Sie sich an Ihre Zehnder Vertretung vor Ort, wenn Sie Fragen haben oder ein neues Dokument, Filter oder Ersatzteile entsprechend den Angaben in der Montageanleitung bestellen möchten.

1.1. Verwendung der Zehnder EVO Lüftungsanlage

- Das Lüftungsgerät und seine Steuergeräte dürfen nur bedient werden, wenn sie gemäß den nationalen und lokalen Vorschriften, so wie den Anweisungen in dem Installationshandbuch montiert wurden.
- Das Lüftungsgerät und seine Steuergeräte dürfen nicht von Kindern oder Personen mit physischen, sensorischen oder geistigen Einschränkungen oder mangelnder Erfahrung und Fachkenntnis bedient werden, es sei denn sie werden beaufsichtigt und wurden bezüglich eines sicheren Umgangs mit dem Lüftungsgerät unterwiesen und verstehen die damit verbundenen Gefahren.
- Kinder dürfen nicht mit dem Lüftungsgerät spielen.
- Kinder dürfen das Lüftungsgerät nicht unbeaufsichtigt reinigen und warten.

1.2. Garantie

Der Hersteller gewährt eine Garantie von 24 Monaten ab Einbau bzw. von maximal 30 Monaten ab Herstellungsdatum auf das Lüftungsgerät. Gewährleistungsansprüche können nur bei Materialfehlern und/oder Konstruktionsfehlern geltend gemacht werden, die während des Garantiezeitraums entstehen. Im Falle eines Gewährleistungsanspruchs darf das Lüftungsgerät nicht ohne schriftliche Genehmigung des Herstellers demontiert werden. Ersatzteile werden nur von der Garantie abgedeckt, wenn es sich um originale Ersatzteile von Zehnder handelt und sie durch eine entsprechend qualifizierte Person installiert sind.

Die Gewährleistung erlischt, wenn:

- Der Garantiezeitraum verstrichen ist.
- Das Lüftungsgerät ohne Zehnder-Originalfilter oder ohne Außenwandgitter betrieben wird.
- Keine originalen Ersatzteile von Zehnder verwendet wurden.
- Unbefugte Änderungen oder Modifikationen am Lüftungsgerät vorgenommen wurden.
- Die Mängel auf eine unsachgemäße Montage, einen nicht bestimmungsgemäßen Gebrauch oder vernachlässigte Wartung des Systems zurückzuführen sind.
Die Kosten für die (De-)Montage vor Ort werden durch die Garantiebedingungen nicht abgedeckt. Dies gilt auch für normale Verschleiß- und Abnutzungerscheinungen. Zehnder behält sich das Recht vor, die Konstruktion und/oder Konfiguration seiner Produkte jederzeit zu ändern, ohne dazu verpflichtet zu sein, Änderungen an bereits gelieferten Produkten vorzunehmen.

2. Beschreibung und Sicherheit

2.1. Beschreibung

Zehnder EVO 3 ist ein ein kontrolliertes Lüftungssystem mit Wärmerückgewinnung für eine energieeffiziente Lüftung in kleinen Gebäuden, Wohnungen und Häusern. Das Lüftungsgerät zieht verbrauchte Luft aus Feuchträumen wie Küche und Badezimmer ab und führt Wohnräumen wie Wohnzimmer, Schlafzimmer etc. Frischluft zu. Mit Spalten unter Türen oder Gittern wird die Luftzirkulation durch das Gebäude sichergestellt.

Das kontrollierte Lüftungssystem umfasst:

- Das Lüftungsgerät
- Luftkanäle für Außen- und Fortluft
- Luftkanäle für Zu- und Abluft
- Zuluftventile in Wohnräumen, Schlafzimmer und sonstigen trockenen Räumen
- Abluftventile in Küche, Bad und sonstigen Feuchträumen
- Außenwandgitter für Außen- und Fortluft

EN

DE

IT

FR


NL


ET

LT

LV

 Lesen Sie die Anleitung, bevor Sie mit der Verwendung des Lüftungsgeräts beginnen.


 Stellen Sie sicher, dass die Spalte unter den Türen oder die Durchgangsgitter niemals versperrt sind, um zu gewährleisten, dass die Luft durch das Gebäude zirkuliert.


 An der Außenseite des Lüftungsgeräts kann sich Kondensat bilden. In diesem Fall sind keine Maßnahmen erforderlich.

 Das Lüftungsgerät ist umweltgerecht zu entsorgen. Entsorgen Sie das Gerät nicht im Hausmüll.


2.2. Sicherheit


Lesen Sie alle Sicherheitshinweise sorgfältig durch, um eine sichere und korrekte Verwendung des Lüftungsgeräts zu gewährleisten.


 **WARNUNG! Gefährliche elektrische Spannung. Im Falle einer Naturkatastrophe trennen Sie die Stromversorgung.**

 **Befolgen Sie die in dieser Gebrauchsanleitung aufgeführten Sicherheitsvorschriften, Vorsichtsmaßnahmen und Anweisungen. Die Nichtbeachtung kann zu Schäden am Gerät oder zu Verletzungen führen.**


 **Montage, Inbetriebnahme und Wartung müssen von einer qualifizierten Fachkraft durchgeführt werden, sofern in dieser Anleitung nichts anderes angegeben ist.**


 **Öffnen Sie das Lüftungsgerät nicht. Der Fachtechniker muss sicherstellen, dass alle Teile, die zu Verletzungen führen können, sicher im Gerät untergebracht sind.**


 **Sofern in dieser Gebrauchsanleitung nicht anders angegeben, lassen Sie das Gerät stets in Betrieb. Andernfalls kann sich Feuchtigkeit ansammeln und Schimmel bilden.**


 **Das Modifizieren des Lüftungsgeräts und der angeschlossenen Steuergeräte ist untersagt. Physische oder Software-Änderungen führen zum Verlust der Gewährleistung und können zu Fehlfunktionen oder Personenschäden führen.**

 **Wenn das Stromkabel beschädigt ist, muss es von einem von Zehnder autorisierten Fachmann ersetzt werden.**

 **Beachten Sie bei der Montage die geltenden nationalen und lokalen Vorschriften sowie diese Gebrauchsanleitung. Montieren Sie einen Sicherheitsschalter zum Unterbrechen der Stromversorgung.**

 **Trennen Sie das Lüftungsgerät immer vom Stromnetz, bevor Sie Wartungs- oder Reparaturarbeiten durchführen. Stellen Sie sicher, dass es nicht versehentlich neu gestartet werden kann.**

 **Schalten Sie das Lüftungsgerät nicht ein, wenn es geöffnet ist: Die elektrische Spannung und die Bewegung der Lüfter können zu Verletzungen führen.**

 **Treffen Sie geeignete Maßnahmen, um elektrostatische Entladungen bei Arbeiten am Gerät zu vermeiden. Statische Elektrizität kann elektrische Einbauten beschädigen.**

2.3. Montagebedingungen

Das Lüftungsgerät ist für den Einsatz in Wohnhäusern, Büros, kleinen Werkstätten und ähnlichen Räumlichkeiten vorgesehen, vorausgesetzt, dass:

- Keine Saunen oder Schwimmbäder vorhanden sind
- Die Feuchtigkeit nicht übermäßig hoch ist
- Die Staubbelastung nicht übermäßig hoch ist
- Keine schädlichen oder potenziell korrosiven Substanzen vorhanden sind.

Um festzustellen, ob das Lüftungsgerät am vorgesehenen Standort verwendet werden kann, überprüfen Sie Folgendes:

- Eine Stromversorgung von 230 V, 50 Hz zur Verfügung steht; jede andere Betriebsspannung oder Frequenz kann zu irreparablen Schäden am Gerät führen
- Die Raumtemperaturen jederzeit innerhalb des zulässigen Bereichs von 10 bis 45 °C liegen
- Die Feuchtigkeit im Raum nicht übermäßig hoch ist, nicht kondensiert und zu jeder Zeit unter 90% liegt Montieren Sie das Gerät nicht an Orten mit überdurchschnittlicher Feuchtigkeit, wie z. B. Badezimmern oder Umkleieräumen.

Überprüfen Sie, ob im Montagebereich ausreichend Platz für das Luftverteilsystem vorhanden ist.

Lassen Sie das Lüftungsgerät vollständig zugänglich, um Wartungsarbeiten zu ermöglichen.

Zehnder EVO 3 kann mit den mitgelieferten Halterungen und Schwingungsdämpfer an der Wand oder Decke montiert werden. Siehe dazu den entsprechenden Abschnitt in der Montageanleitung.

 **Lesen Sie den spezifischen Abschnitt, um die verschiedenen Installationsoptionen zu überprüfen.**

EN

DE

IT

FR

NL

ET

LT

LV

2.4. Bestimmungen für den Betrieb mit Feuerstätten

Lokale Anforderungen sind durch entsprechende Normen, Gesetze und Richtlinien zu berücksichtigen. Das Lüftungsgerät darf in Räumen, Wohnungen oder Nutzungseinheiten vergleichbarer Größe, in denen raumluftabhängige Feuerstätten aufgestellt sind, nur installiert werden, wenn:


- Ein gleichzeitiger Betrieb von raumluftabhängigen Feuerstätten und der luftabsaugenden Anlage durch Sicherheitseinrichtungen verhindert wird.
Oder
- Die Abgasabführung der raumluftabhängigen Feuerstätte durch besondere Sicherheitseinrichtungen überwacht wird. Bei raumluftabhängigen Feuerstätten für flüssige oder gasförmige Brennstoffe muss im Auslösefall der Sicherheitseinrichtung die Feuerstätte oder die Lüftungsanlage abgeschaltet werden. Bei raumluftabhängigen Feuerstätten für feste Brennstoffe muss im Auslösefall der Sicherheitseinrichtung die Lüftungsanlage abgeschaltet werden.

Die Lüftungsgeräte zur kontrollierten Be- und Entlüftung einer Wohnung oder vergleichbaren Nutzungseinheit dürfen nicht installiert werden, wenn in der Nutzungseinheit raumluftabhängige Feuerstätten an mehrfach belegte Abgasanlagen angeschlossen sind. Für den bestimmungsgemäßen Betrieb müssen eventuell vorhandene Verbrennungsluftleitungen sowie Abgasanlagen von raumluftabhängigen Feuerstätten absperrbar sein. Bei Abgasanlagen von Feuerstätten für feste Brennstoffe darf die Absperrvorrichtung nur von Hand bedient werden können. Die Stellung der Absperrvorrichtung muss an der Einstellung des Bedienungsriffes erkennbar sein. Dies gilt als erfüllt, wenn eine Absperrvorrichtung gegen Ruß (Rußabsperrerr) verwendet wird.

Brandschutzanforderungen hinsichtlich der brandschutztechnischen Installationsvorschriften für die Errichtung der Lüftungsanlage sind die landesrechtlichen Regelungen, insbesondere die bauaufsichtliche Richtlinie über die brandschutztechnischen Anforderungen an Lüftungsanlagen in der jeweils geltenden Fassung zu beachten.

2.5. Konformität

Die Lüftungsgeräte der EVO-Serie des Herstellers


 Siber Zone S.l.u.
C/Can Marcia 2
08520 Las Frenquesas des Vallés
Apto de Correos n°9
Barcelona, Espana


stimmen mit den Richtlinien und Normung der EU- und EAC-Konformitätserklärung überein.

3. Transport und Lieferung

3.1. Transportsicherheitshinweise

 **Der zulässige Temperaturbereich für Lagerung und Transport liegt zwischen -20 °C und $+50\text{ °C}$.**

 **Lesen Sie die Sicherheitshinweise und Anweisungen, bevor Sie das Lüftungsgerät transportieren.**

 **Tragen Sie das Lüftungsgerät immer mit Hilfe einer anderen Person. Das Lüftungsgerät ist beim Transport und beim Auspacken mit Vorsicht zu behandeln.**

 **Die Kanten des Lüftungsgeräts können sehr scharf sein. Tragen Sie Schutzhandschuhe, um Schnittverletzungen zu vermeiden.**


3.2. Überprüfen der Lieferung

Die Lieferung umfasst:

- Lüftungsgerät Zehnder EVO 3
- Kurzanleitung
- ErP-Label
- Halterungen, Schwingungsdämpfer, so wie Schrauben für die Montage

Überprüfen Sie das Typenschild, um sicherzustellen, dass das gelieferte Gerät das richtige ist:

- EVO 3 HRV: Gerät mit Wärmetauscher
- EVO 3 ERV: Gerät mit Enthalpietauscher
- EVO 3 HRV PR: Gerät mit Wärmetauscher und elektrischem Vorheizregister
- EVO 3 ERV PR: Gerät mit Enthalpietauscher und elektrischem Vorheizregister

 **Bei sichtbaren Schäden am Lüftungsgerät oder fehlendem Zubehör wenden Sie sich bitte umgehend an den Lieferanten.**

Das Lüftungsgerät Zehnder EVO 3 wird ohne Steuerungszubehör geliefert. Das optionale Zubehör finden Sie im entsprechenden Abschnitt.

EN

DE

IT

FR

NL

ET

LT

LV

3.3. Lüftungsgerät auspacken

Öffnen Sie die Oberseite der Kartonverpackung. Nehmen Sie das Lüftungsgerät nach oben aus der Verpackung heraus und legen Sie es auf eine saubere, weiche Oberfläche, um Beschädigungen zu vermeiden.

Bewahren Sie den Karton auf, um ihn als Schablone für die Bohrungen zu verwenden, die bei der Montage des Geräts erforderlich sind.



Gehen Sie vorsichtig mit dem Lüftungsgerät um. Zwei Personen sind erforderlich, um das Gerät anzuheben. Halten Sie das Gerät nicht an den Anschlussstutzen fest, da diese dadurch beschädigt werden können.



Entsorgen Sie das Verpackungsmaterial umweltgerecht.



Achten Sie darauf, dass das mitgelieferte Zubehör nicht verloren geht.

4. Eigenschaften des Geräts Zehnder EVO 3

Zehnder EVO 3 ist ein Komfort-Lüftungsgerät mit hocheffizienten Radialventilatoren, die einen flüsterleisen Betrieb und Luftmengen von bis zu 300 m³/h ermöglichen. Das Gerät erreicht eine Energieeffizienz von bis zu 88,9% (Leistungserklärung gemäß EU 1254/2014). Der integrierte automatische Bypass sorgt für eine "passive Kühlung" in den Sommermonaten.

Eigenschaften des Geräts EVO 3:

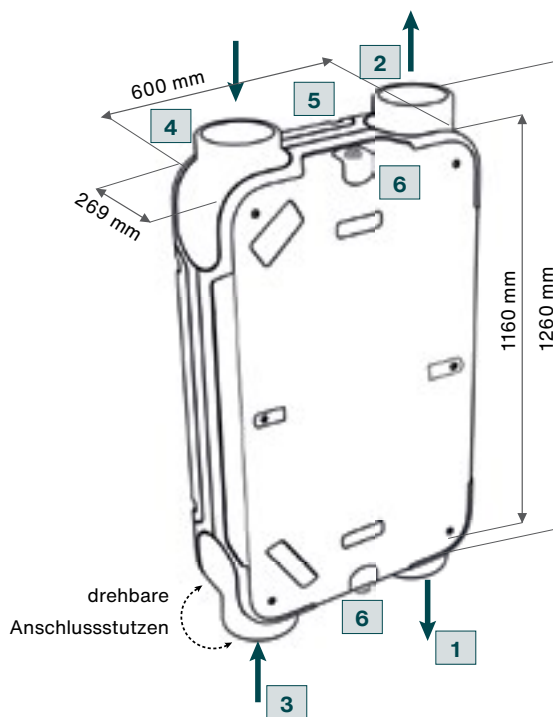
- stufenlose Einstellung der Luftströme über die optionalen Bedienmöglichkeiten;
- Filterstatusanzeige;
- Intelligente Frostschutzregelung für einen optimalen Betrieb auch bei Niedrigtemperaturen. Bei Geräten mit Vorheizregister, wird das Elektro-Vorheizregister bei Bedarf aktiviert.
- niedriger Geräuschpegel;
- automatischer Bypass serienmäßig enthalten;
- Konstante Volumenstromregelung;
- hohe Leistung und geringer Energieverbrauch.

Zehnder EVO 3 ist in 4 Ausführungen erhältlich:

- EVO 3 HRV: Gerät mit standard Wärmetauscher;
- EVO 3 ERV: Gerät mit Enthalpietauscher;
- EVO 3 HRV PR: Gerät mit standard Wärmetauscher und elektrischem Vorheizregister;
- EVO 3 ERV PR: Gerät mit Enthalpietauscher und elektrischem Vorheizregister.

Diese Montageanleitung gilt für alle Zehnder EVO 3-Ausführungen.

4.1. Anschlüsse



Legende zur Standardkonfiguration „Werksversion“

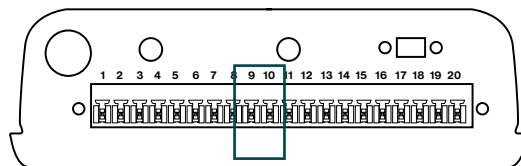
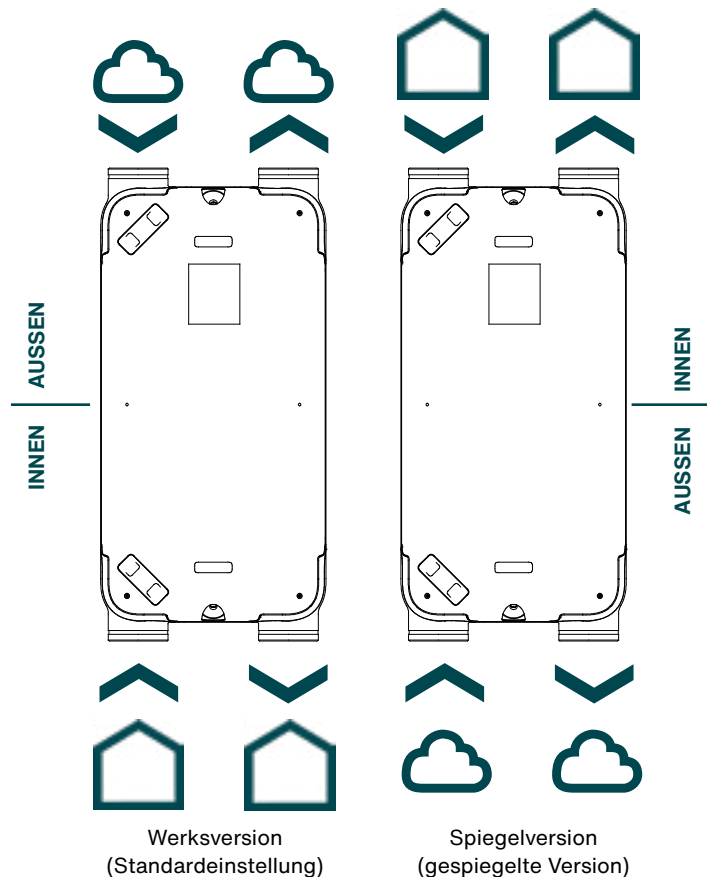
Symbol	Bedeutung
1	Zuluft
2	Fortluft
3	Abluft
4	Außenluft
5	Stromanschlüsse
6	Kondensatablauf*

* Ein Kondensatablauf ist für EVO 3 HRV und EVO 3 HRV mit Vorheizregister erforderlich. Weitere Informationen finden Sie im entsprechenden Abschnitt.

- EN
- DE
- IT
- FR
- NL
- ET
- LT
- LV

4.2. Umstellung von Werks- zur Spiegelversion

Die Umstellung von Werks- zur Spiegelversion wird durch das Setzen einer Brücke über die Anschlüsse 9 und 10 erreicht.



WICHTIG!

Bei der Wandmontage darf das Gerät **NUR** mit den elektrischen Anschlüssen nach oben montiert werden. Das Gerät mit Wärmetauscher (HRV) **MUSS** mit Außen- und Abluftstutzen nach unten montiert werden. („Spiegelversion“).

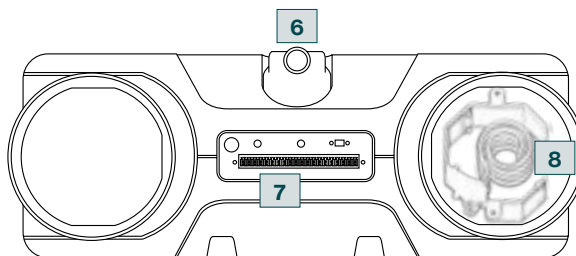
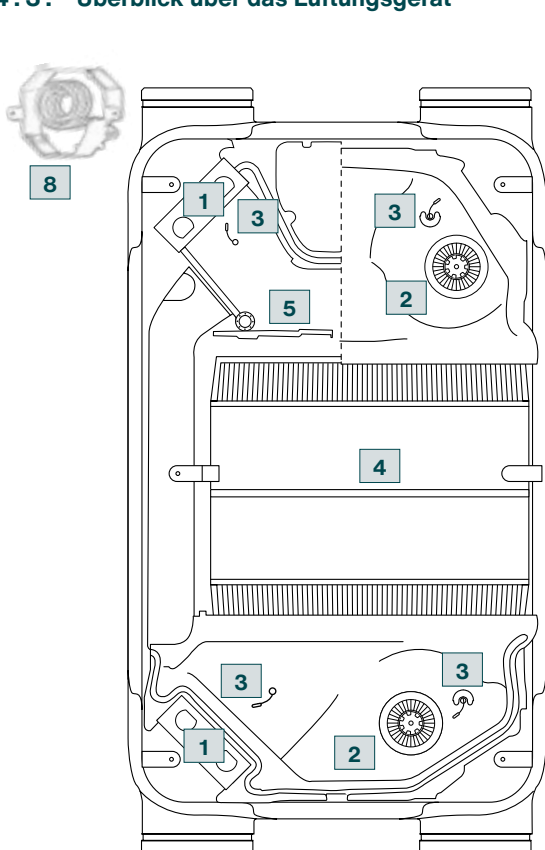
Siehe den entsprechenden Abschnitt.

WICHTIG!

Bei folgenden Modellen ist eine Umstellung von Werks- zur Spiegelversion nicht möglich:

EVO 3 HRV PR und EVO 3 ERV PR

4.3. Überblick über das Lüftungsgerät








Symbol	Bedeutung
1	Hochleistungsfilter
2	Ventilatoren
3	Temperaturfühler
4	Hocheffizienter Wärmetauscher
5	Automatischer Bypass
6	Kondensatablaufstutzen *
7	Elektrische Anschlüsse
8	Vorheizregister **

* Für die Geräte EVO 3 HRV und EVO 3 HRV PR ist der Anschluss an das Kondensatablaufsystem erforderlich.

** Serienmäßig nur bei den Modellen EVO 3 HRV PR und EVO 3 ERV PR enthalten

- EN
- DE
- IT
- FR
- NL
- ET
- LT
- LV

4.4. Technische Daten

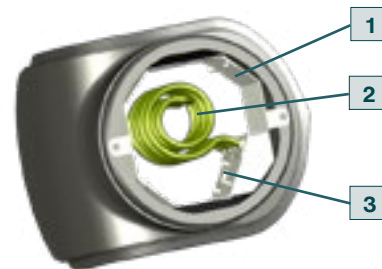
Zehnder EVO 3					
Volumenstrom	300 m³/h bei 200 Pa				
Abmessungen (Länge x Breite x Tiefe)	1160 - 1260 x 600 - 700 x 269 mm (je nach Orientierung der Anschlussstutzen)				
Gewicht	36 kg				
Installation	Wand- und Deckenmontage				
Kondensatanschluss (Ø)	1/2"				
Nennweite Kanalanschluss (Ø)	Ø 160				
Netzspannung	230 V / 50 Hz				
	Zehnder EVO 3 HRV		Zehnder EVO 3 ERV		
Wirkungsgrad gem. EN 13141-7	88,9%		74,3%		
Wirkungsgrad gem. PHI	$\eta_{HR} = 81\%$				
Filterklasse	Grobstaubfilterset ISO Coarse 65% (optionales Hygienefilterset ISO ePM 1 55%)				
					
Lüftungsstufen (Bed. Zehnder EVO Sense RF)	0	1	2	3	Boost
Luftmenge	90	120	180	240	300

(*) Optionen und Vorsichtsmaßnahmen für die Wandmontage des Geräts finden Sie im entsprechenden Abschnitt

4.5. Elektrische Vorheizung (nur für EVO 3 HRV mit Vorheizregister und EVO 3 ERV mit Vorheizregister)

Der elektrische Vorheizregister ist bei den Modellen EVO 3 HRV mit Vorheizregister und EVO 3 ERV mit Vorheizregister standardmäßig im Außenluftstutzen installiert. Die Zulufttemperatur wird so um 10 °C erwärmt und garantiert auch bei Temperaturen unter dem Gefrierpunkt einen sicheren, durchgehenden und frostfreien Betrieb. Eine regelmäßige Kontrolle der Außenluft besonders vor Beginn der Heizperiode ist wichtig. Zur Unterstützung kann auch ein weiterer Filter in Leitung der Außenluft verwendet werden.

1. Heizelemente aus rostfreiem Edelstahl AISI304L
2. Leistung 1 kW
3. Automatische Abschaltung bei 40 °C verhindert Überhitzung



4.6. Energieeffizienzklassen

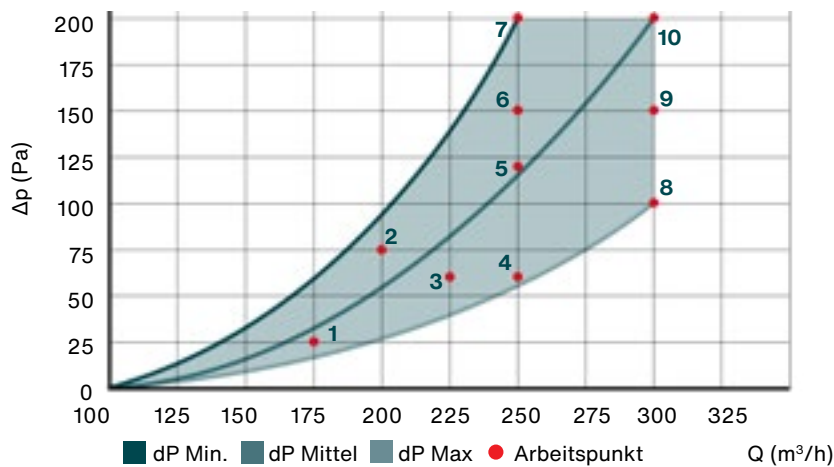
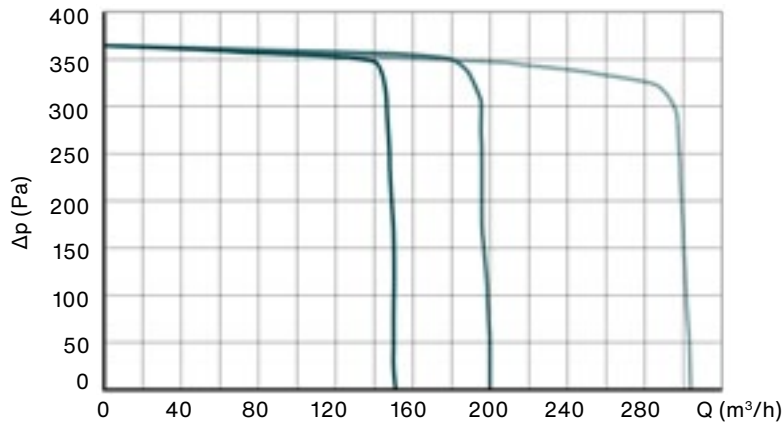
Energieeffizienzklassen gemäß der EU-Verordnung Nr. 1254/2014

EU-Energieverbrauchskennzeichnung für EVO 3 HRV	
Energieeffizienzklasse	A⁺ **
Höchster Luftvolumenstrom [m³/h]	300
Warmebereitstellungsgrad η_{WRG} [-]	88,9%
Schalleistungspegel LWA dB(A)	45

EU-Energieverbrauchskennzeichnung für EVO 3 ERV	
Energieeffizienzklasse	A **
Höchster Luftvolumenstrom [m³/h]	300
Warmebereitstellungsgrad η_{WRG} [-]	74,3%
Schalleistungspegel LWA dB(A)	45

** je nach gewählttem Steuergerät/Sensortyp.

4.7. Leistungsdiagramme



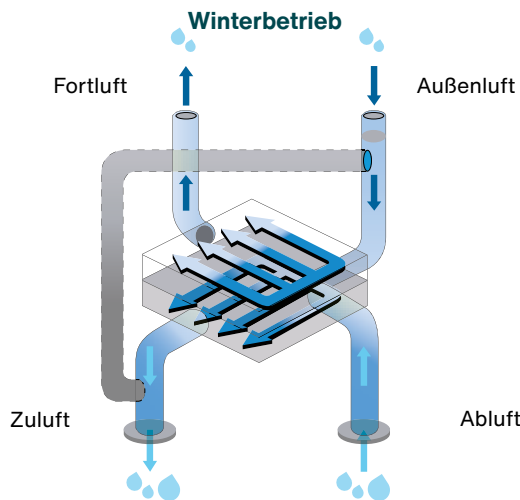
- niedrige Lüfterstufe
- mittlere Lüfterstufe
- hohe Lüfterstufe

4.8. Leistungsdaten

Zehnder EVO 3 - Leistungsdaten

Punkt	[m³/h]	[Pa]	P [W]	SFP [Wh/m³]
1	175	25	28	0,16
2	200	75	56	0,28
3	225	60	66	0,29
4	250	60	84	0,34
5	250	120	106	0,42
6	250	150	113	0,45
7	250	200	151	0,60
8	300	100	133	0,44
9	300	150	146	0,49
10	300	200	153	0,51

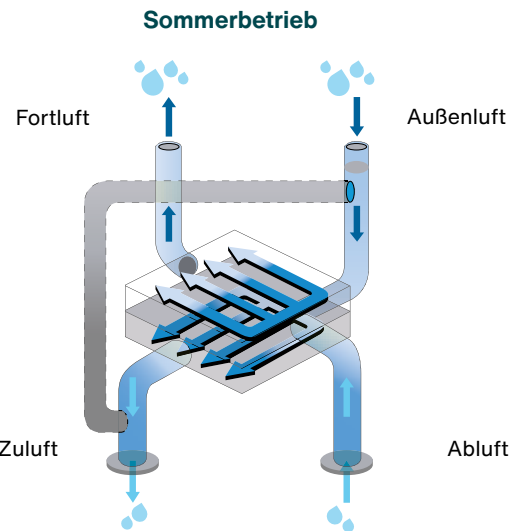
4.9. Funktionsprinzip des Enthalpietauschers



Im Winter wird die warme, feuchte Luft aus Küchen und Bädern aus dem Wohnbereich abgesaugt. Im Inneren des Wärmetauschers trifft diese Luft auf kalte, sehr trockene Außenluft und überträgt ihre Wärme und einen Teil ihrer Feuchtigkeit auf sie.

So wird die Außenluft mit einer Temperatur und Luftfeuchtigkeit in den Raum geleitet, die ein Höchstmaß an Komfort gewährleisten, ohne die Luft übermäßig auszutrocknen.

Der Enthalpietauscher hilft dem Heizsystem, die ideale Lufttemperatur auch bei kältestem Wetter aufrechtzuerhalten.



Im Sommer wird kühle, entfeuchtete Luft aus den Innenräumen abgesaugt. Im Inneren des Wärmetauschers trifft sie auf die heiße, feuchte Außenluft, kühlt sie vor und entfeuchtet sie vor. Auf diese Weise unterstützt das Lüftungsgerät mit sehr geringem Energieaufwand das aktive Kühl- und Entfeuchtungssystem bei der Aufrechterhaltung des Raumkomforts.

Der Enthalpietauscher ist ideal geeignet für eine optimale Raumluft und mehr Wohlbefinden, Sommer wie Winter.

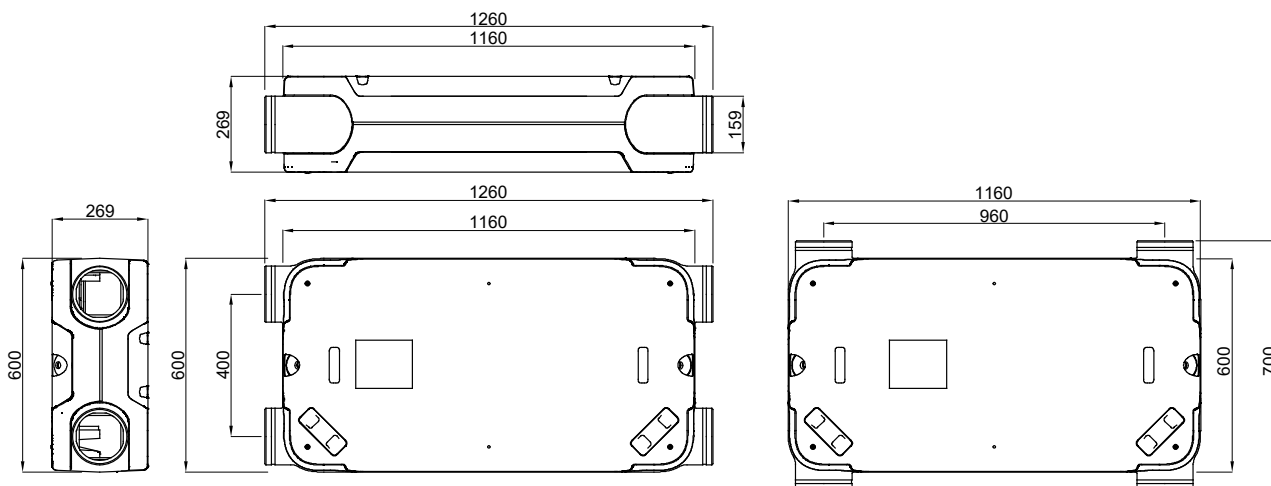
4.10. Schalldaten

Zehnder EVO 3 Schalldaten

Luftmenge		m ³ /h	90	150	200	300			
Referenzdruck		Pa	50	50	100	80	150	100	200
Schalleistung Lw (A)	Geräteabstrahlung	dB(A)	36	40	44	46	49	52	54
	Abluft	dB(A)	38	42	46	47	50	54	56
	Zuluft	dB(A)	53	55	60	61	64	67	69
Schalldruck Lp (A) bei 1,5 m	Geräteabstrahlung	dB(A)	21	25	29	31	34	37	39

5. Montage

5.1. Abmessungen



5.2. Sicherheitsanweisungen - Installation



Trennen Sie die Stromzufuhr, bevor Sie eine Montage oder Demontage vornehmen.



Stellen Sie sicher, dass das Gerät nicht mit Wasser oder Wasserspritzern in Berührung kommt.



Halten Sie Kinder und Haustiere während der Montagearbeiten vom Einbauort fern.



Achten Sie darauf, dass um, vor und/oder unter dem Gerät genügend Platz für Wartungsarbeiten vorhanden ist.

Zwei Personen sind erforderlich, um das Lüftungsgerät ordnungsgemäß zu montieren, ohne es zu beschädigen.

Zehnder EVO 3 kann mit den mitgelieferten Halterungen und Schwingungsdämpfer direkt an einer Wand oder Decke montiert werden. Um Vibrationen zu vermeiden, muss das Gerät an einer Wand oder Decke mit einer Dichte von mindestens 200 kg/m² montiert werden; eine einfache Beton- oder Metallkonstruktion ist nicht ausreichend. In diesem Fall sind zusätzliche Maßnahmen wie doppelte Versteifungsplatten oder zusätzliche Halterungen erforderlich.

Das Gerät muss vertikal oder horizontal (je nach Einbaulage) nivelliert werden, um Vibrationen und Geräusche des Lüfters zu vermeiden.

- EN
- DE
- IT
- FR
- NL
- ET
- LT
- LV

5.3. Montage



Nicht im Freien einbauen. Vergewissern Sie sich, dass die Temperatur und die Luftfeuchtigkeit in der Montageumgebung jederzeit innerhalb der zulässigen Betriebsbereiche liegen.

Die Lüftung kann entweder horizontal (an Deckenhalterungen) oder vertikal (an Wandhalterungen) montiert werden.

Wenn es sich bei der gewählten Einheit um ein EVO 3 HRV oder EVO 3 HRV PR handelt, muss der Einbauort über ein wirksames Kondensatableitungssystem mit einem Siphon und ausreichendem Gefälle verfügen, das jederzeit freigängig und frostfrei sein muss, um einen konstanten, ordnungsgemäßen Kondensatablauf zu gewährleisten.



Stellen Sie sicher, dass das Gefälle des Kondensatablaufs nicht parallel zum Gerät oder zurück zum Gerät verläuft.

Wenn es sich bei dem gewählten Gerät um ein EVO 3 ERV oder EVO 3 ERV PR handelt, ist der Kondensatablauf nicht erforderlich.

Der Einbauort muss sowohl für die routinemäßige Wartung (Filterwechsel) als auch für außerordentliche Wartungsarbeiten (Öffnen des Geräts, Entfernen und Reinigen von Wärmetauscher und Lüftern usw.) ausreichend Platz bieten.

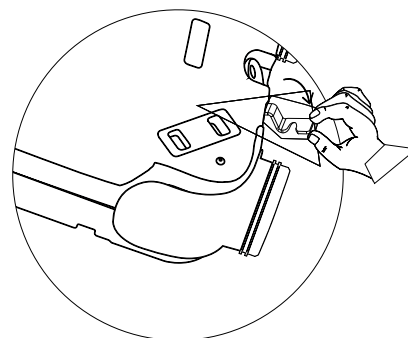
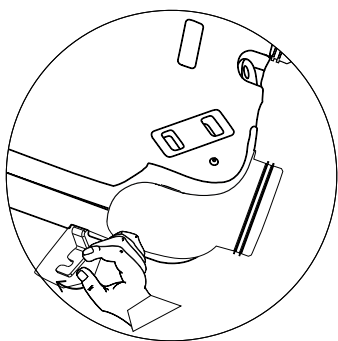


Das Gerät ist für die Wand- oder Deckenmontage ausgelegt. Eine Bodenmontage ist NICHT möglich.

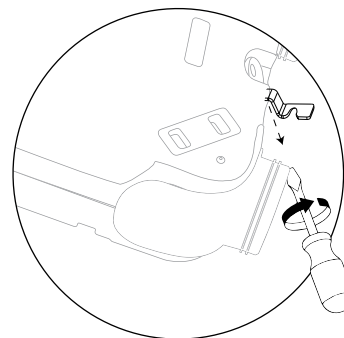
5.4. Deckenmontage

1. Das Gerät wird mit Schwingungsdämpfer geliefert. Gehen Sie wie folgt vor, um die zu montieren.

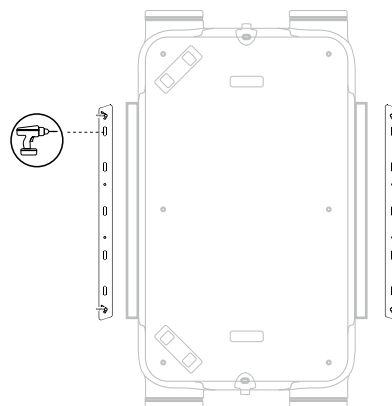
- Setzen Sie die Schwingungsdämpfer an die Längs- oder Schmalseite je nach Installationsanforderungen.



- Schrauben Sie die Schwingungsdämpfer fest.



- Bohren Sie entsprechend den Markierungen Löcher in die Oberfläche und schrauben Sie die Halterungen in die Langlöcher.
 - Längsseite:



EN

DE

IT

FR

NL

ET

LT

LV

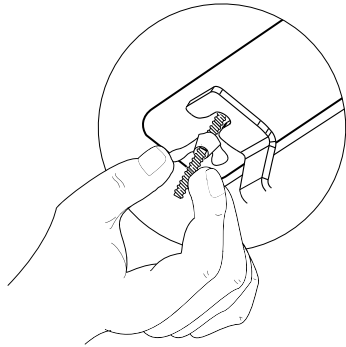
▪ Schmalseite:



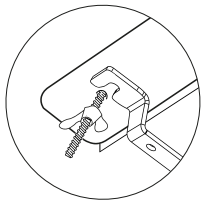
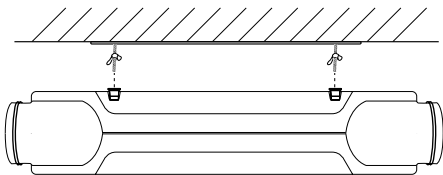
WICHTIG!

Die Halterungen müssen an den Längsseiten einen Abstand von 630 mm (Standardversion) und an den Schmalseiten einen Abstand von 1.195 mm aufweisen.

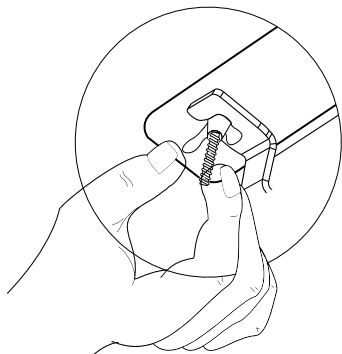
3. Drehen Sie die Flügelmuttern los, bis sie ca. 1 cm vom Gewinde freigeben.



4. Setzen Sie das Gerät oben an der Führung an und schieben Sie es auf, bis es mit der Gewindestange in Eingriff kommt.



5. Ziehen Sie die Flügelmuttern wieder an, um das Gerät an der Halterung zu befestigen.



5.5. Wandmontage

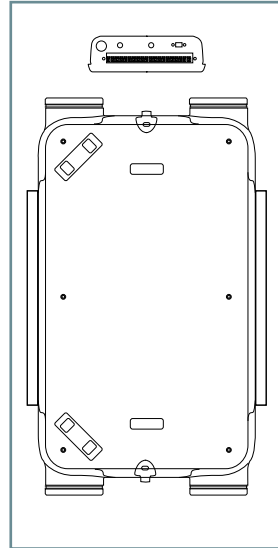


Das Gerät muss senkrecht montiert und in der senkrechten Ebene ausgerichtet werden, um eine wirksame Kondensatableitung zu gewährleisten.

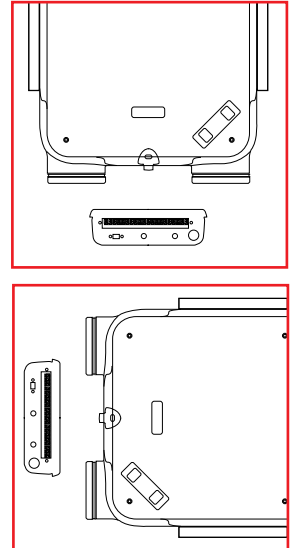


NUR mit der Steuerplatine nach oben montieren. Das Gerät darf nicht verkehrt herum, d. h. mit der Steuerplatine nach unten oder seitlich, montiert werden.

Richtige Montage

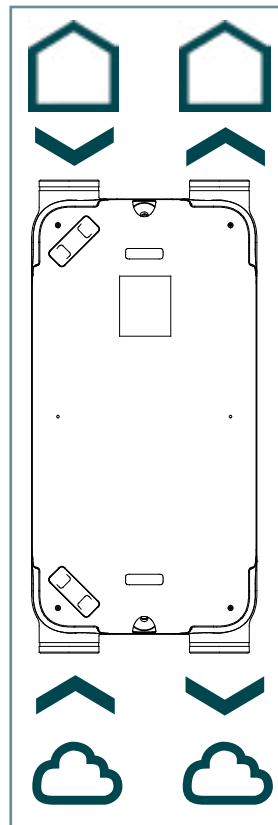


FALSCHER Montagen

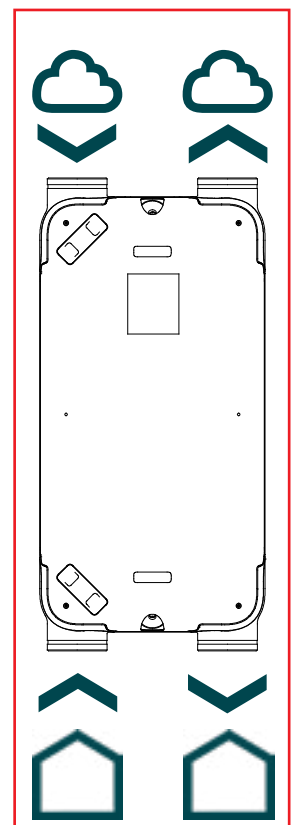


Montieren Sie das Gerät mit dem standard Wärmetauscher (HRV) NUR in der „Spiegelversion“, d. h. mit Außen- und Fortluft nach unten.

Richtige Montage



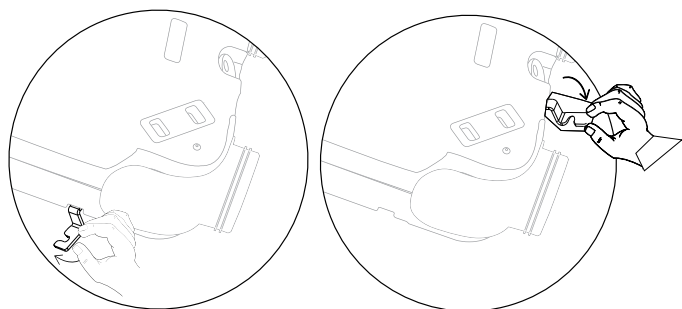
FALSCHER Montage



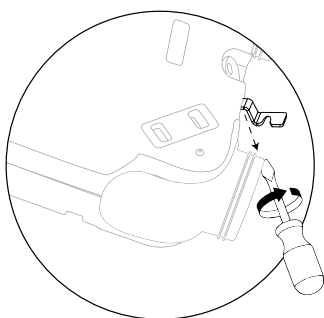
- EN
- DE
- IT
- FR
- NL
- ET
- LT
- LV

1. Das Gerät wird mit Schwingungsdämpfer geliefert. Gehen Sie wie folgt vor, um die zu montieren.

- Setzen Sie die Schwingungsdämpfer an die Längs- oder Schmalseite je nach Installationsanforderungen.

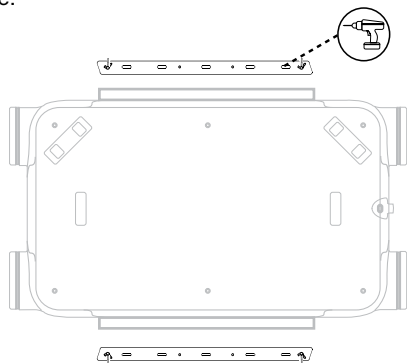


- Schrauben Sie die Schwingungsdämpfer fest.

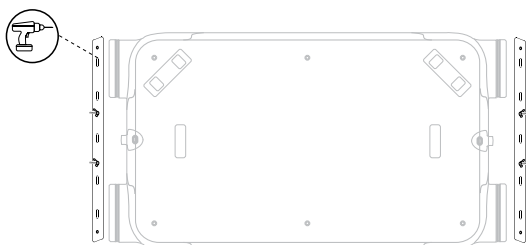


2. Bohren Sie entsprechend den Markierungen Löcher in die Oberfläche und schrauben Sie die Halterungen in die Langlöcher.

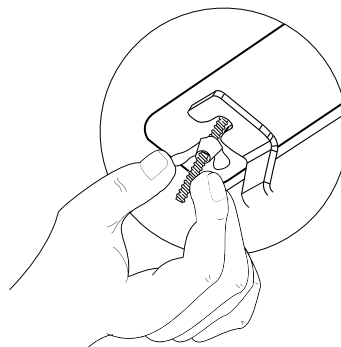
- Längsseite:



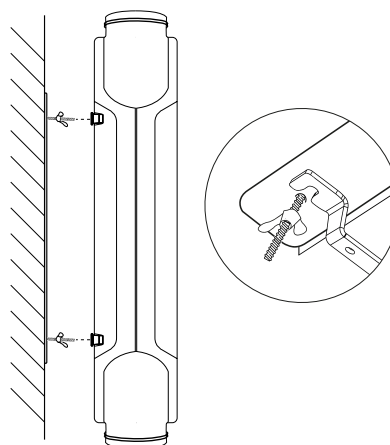
- Schmalseite:



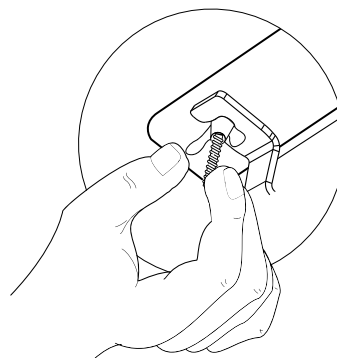
3. Drehen Sie die Flügelmuttern los, bis sie ca. 1 cm vom Gewinde freigegeben.



4. Setzen Sie das Gerät oben an der Führung an und schieben Sie es auf, bis es mit der Gewindestange in Eingriff kommt.



5. Ziehen Sie die Flügelmuttern wieder an, um das Gerät an der Halterung zu befestigen.



WICHTIG!

Die Halterungen müssen an den Längsseiten einen Abstand von 630 mm (Standardversion) und an den Schmalseiten einen Abstand von 1.195 mm aufweisen.

EN

DE

IT

FR

NL

ET

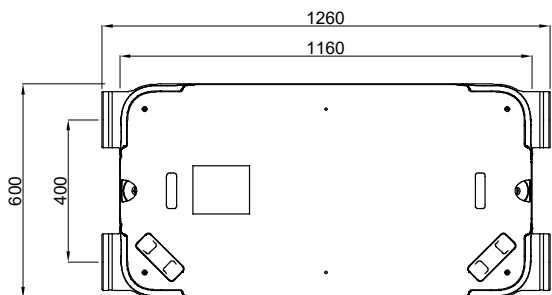
LT

LV

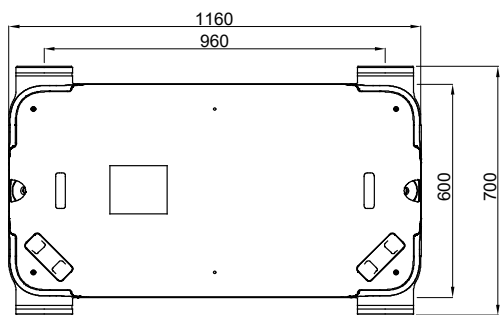
5.6. Positionieren der Anschlüsse

Gehen Sie wie folgt vor, um die Anschlussstutzen zu drehen.

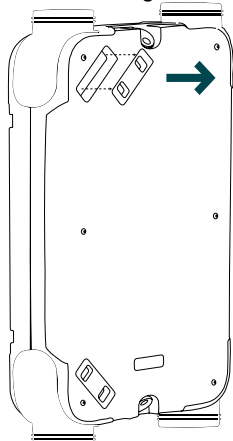
- Standardkonfiguration:



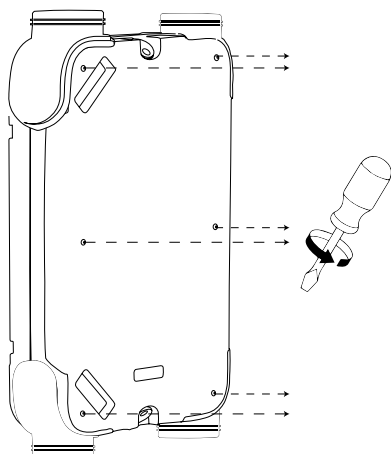
- Konfiguration mit um 90° gedrehten Anschlussstutzen:



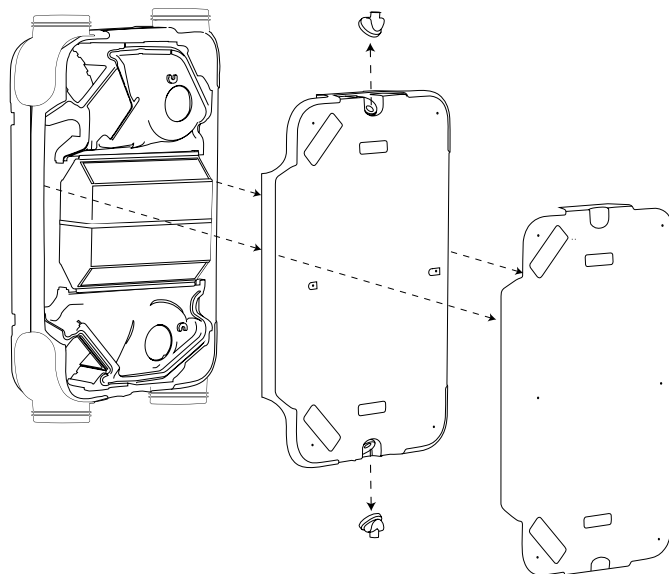
1. Entfernen Sie die Filterabdeckungen



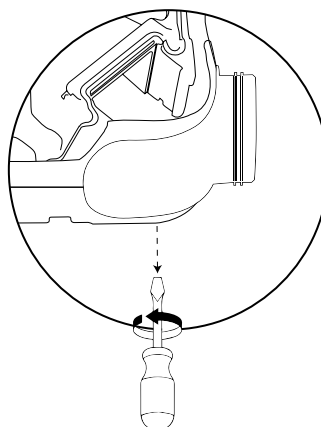
2. Lösen Sie die Schrauben der Gerätefrontabdeckung



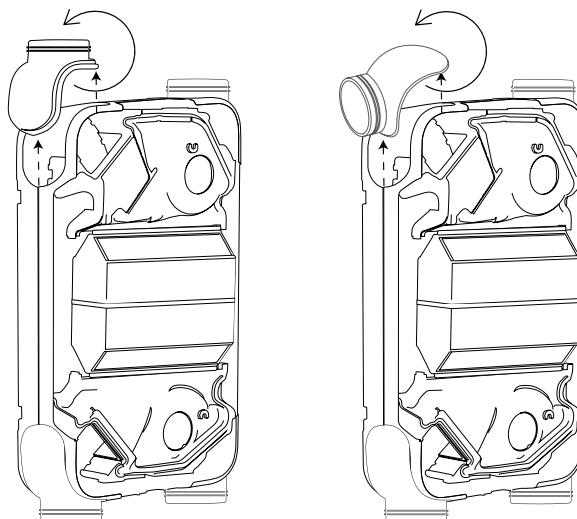
3. Entfernen Sie die Frontabdeckung und die obere Abdeckung aus Polypropylen, um das Innere des Geräts freizulegen



4. Lösen Sie die Halteschrauben der EPP-Anschlussstutzen

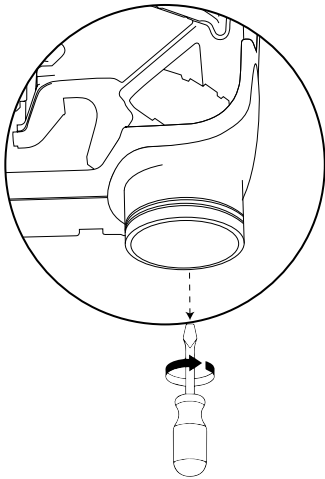


5. Heben die Anschlussstutzen ab, drehen Sie sie entsprechend und setzen Sie sie wieder ein

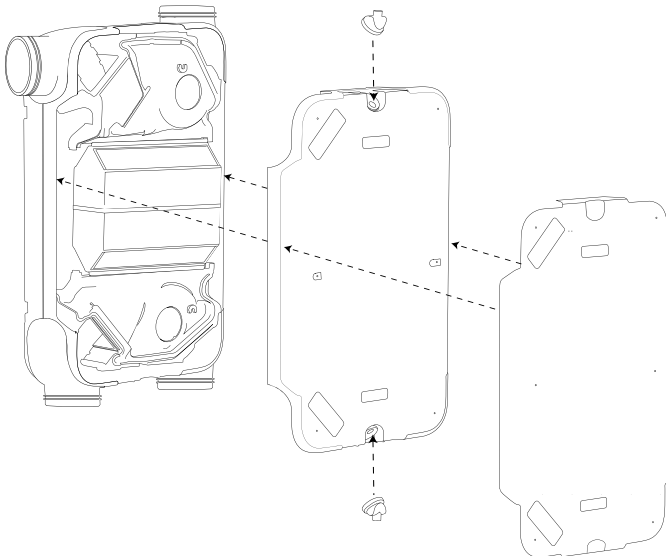


- EN
- DE
- IT
- FR
- NL
- ET
- LT
- LV

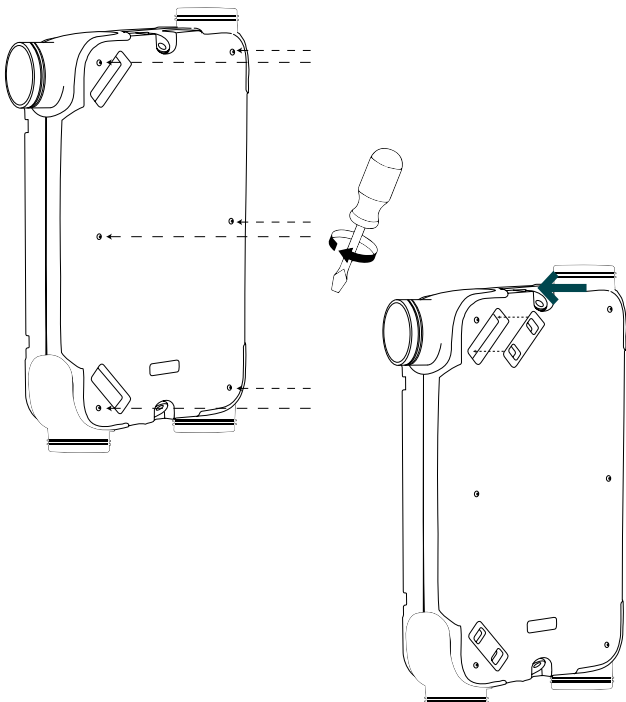
6. Ziehen Sie die Verbindungsschrauben wieder an



7. Setzen Sie die obere Abdeckung aus Polypropylen und die Gerätefrontabdeckung wieder ein



8. Ziehen Sie die Schrauben wieder an und setzen Sie die Filterabdeckungen wieder auf



5.7. Anschluss des Kondensatablaufs

Die Geräte Zehnder EVO 3 HRV und Zehnder EVO 3 HRV PR sind mit einem Kondensatablaufsystem zu versehen.

Bei den Geräten EVO 3 ERV und EVO 3 ERV PR ist dies nicht erforderlich.

Schrauben Sie den 1/2-Zoll-Außengewindesiphon (nicht im Lieferumfang enthalten, muss separat bestellt werden) auf den Kondensatablaufstutzen des Geräts.

Für eine ordnungsgemäße Wartung ist der Siphon so zu installieren, dass er leicht ausgebaut und inspiziert werden kann.

Der Kondensatablaufanschluss des Geräts kann horizontal ausgerichtet sein oder nach unten zeigen.

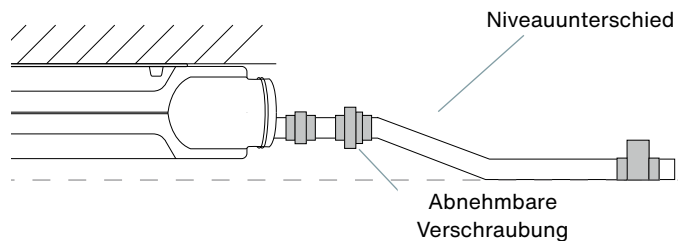


Stellen Sie sicher, dass das Gefälle des Kondensatablaufs nicht parallel zum Gerät oder zurück zum Gerät verläuft.

Wichtig!

Bei Geräten vom Typ EVO HRV und EVO HRV PR wird nur ein Kondensatablauf angeschlossen, der andere muss mit einem Stopfen verschlossen werden. Bei Geräten vom Typ EVO ERV und EVO ERV PR müssen beide Kondensatabläufe mit Stopfen verschlossen werden. Die Stopfen sind im Lieferumfang enthalten.

Kondensatablauf für ein horizontal montiertes EVO-Gerät:



Wenn das Gerät horizontal an einer Decke montiert wird, muss der Kondensatablauf unter dem Niveau des Geräts selbst liegen.

Warnung!

Die Garantie gilt unter der Voraussetzung, dass ein original Trockensiphon von Zehnder eingebaut und das Kondensatabflusssystem korrekt ausgeführt ist. Ansonsten sieht sich Zehnder im Falle einer Beschädigung der Anlage von jeglicher Verantwortung entbunden.

EN

DE

IT

FR

NL

ET

LT

LV

6. Elektrische Anschlüsse

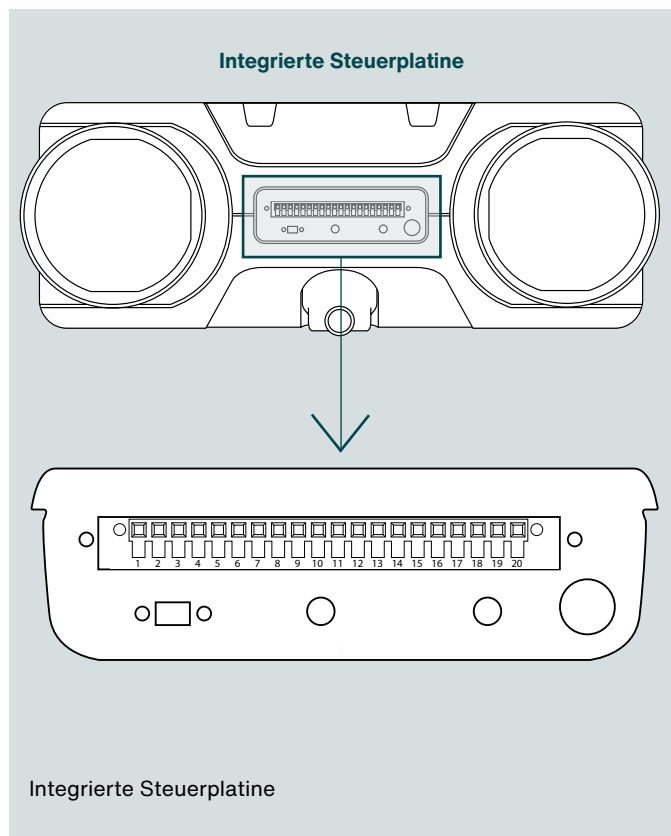
Der Anschluss an die Netzstromversorgung muss gemäß den behördlichen Normen erfolgen.

Die Lüfter und die Elektronikplatine arbeiten mit einer Versorgungsspannung von 230 V.



Bei allen Arbeiten am Gerät, bei der Montage und bei der Wartung muss die Netzstromversorgung unterbrochen werden.

Farbcodierung der Verkabelung	
Braun	Spannungsführend
Blau	Neutral
Grün/gelb	Masse



Beschreibung der Anschlüsse		
Anschl.	Beschreibung	Leiterplatte
STIFT 1	Hausautomatisierung - 10 V	X-26
STIFT 2	Hausautomatisierung - 0 V	X-26
STIFT 3	Hausautomatisierung- potenzialfreier Kontakt	X-25
STIFT 4	Hausautomatisierung - potenzialfreier Kontakt	X-25
STIFT 5	Nicht verwendet	-
STIFT 6	Nicht verwendet	-
STIFT 7	Nachheizer 10-V-Ausgang (*)	X-16
STIFT 8	Nachheizer 0-V-Ausgang (*)	X-16
STIFT 9	„Spiegelmodus“ NO/NC (*)	X-32
STIFT 10	„Spiegelmodus“ NO/NC (*)	X-32
STIFT 11	Nicht verwendet	-
STIFT 12	Wahlschalter V1 Common	X-510
STIFT 13	Wahlschalter V2	X-510
STIFT 14	Wahlschalter V3	X-510
STIFT 15	230-V-Ausgang Vorheizregister (**)	X-17
STIFT 16	Erdungsausgang Vorheizregister (**)	X-17
STIFT 17	Neutralausgang Vorheizregister (**)	X-17
STIFT 18	Nicht verwendet	X-28
STIFT 19	Nicht verwendet	X-28
STIFT 20	Nicht verwendet	X-28

(*) Pin nicht verwendet bei den Modellen Zehnder EVO 3 HRV PR und Zehnder EVO 3 ERV PR

(**) Bei Modellen mit serienmäßigem Vorheizregister werden diese Stifte nicht für das Vorheizregister, sondern für den Nachheizer (optional) verwendet.

- EN
- DE
- IT
- FR
- NL
- ET
- LT
- LV

7. Bedienelemente und Konnektivität

Die Geräte der Serie Zehnder EVO können auf verschiedene Weise überwacht und gesteuert werden. Nachfolgend finden Sie eine Liste der verfügbaren Zubehörteile.

7.1. Zehnder Multi Control (kabelgebunden)

Die Geräte Zehnder EVO können anhand der Zehnder EVO Multi Control Bedieneinheit gesteuert werden.



Das Lüftungsgerät arbeitet standardmäßig mit der niedrigsten Lüfterstufe. Über die integrierten Relais aktiviert Multi Control die zweite und dritte Lüfterstufe, wenn dies vom Benutzer angefordert wird oder wenn es für die Nachbehandlung erforderlich ist.

Mit der Multi Control kann der Benutzer den manuellen oder automatischen Betriebsmodus auswählen, wöchentliche Zeitprogramme einstellen und den Filterwechselalarm anzeigen.



Wenn zusätzlich zu Multi Control ein weiteres Steuergerät wie Zehnder EVO Sense RF zur Überwachung und Steuerung des Lüftungsgeräts angeschlossen ist, muss dieses Steuergerät jederzeit im manuellen Modus und auf Lüfterstufe 1 bleiben. Andernfalls funktioniert Multi Control nicht ordnungsgemäß.



Die Zehnder Multi Control kann mit der App „Zehnder Multi Controller“ verbunden werden, die das Lüftungsgerät, die Wärmezonen und die Heizungsanlage überwacht und steuert.

7.2. Zehnder EVO Sense RF



Das drahtlose intelligente Steuergerät EVO Sense kommuniziert über RF (Radiofrequenz) mit dem Lüftungsgerät und ermöglicht die Auswahl von fünf verschiedenen Volumenströmen (Stufe 1-3, Boost, Abwesenheit). Außerdem können Benutzer Zeitprogramme und den automatischen Betriebsmodus einstellen.

Es ist eine intelligente Benutzer- und Installationsschnittstelle zur Überwachung und Inbetriebnahme des angeschlossenen Lüftungsgeräts.

7.3. Zehnder EVO Switch RF



Das drahtlose Tastensteuergerät EVO Switch kommuniziert mit dem Lüftungsgerät über RF (Radiofrequenz) und bietet vier verschiedene Betriebsarten zur Auswahl (Abwesenheit, Anwesenheit, manueller Boost, zeitlichbegrenzter Boost). Es verfügt über eine Filterwechselalarmanzeige.

7.4. Zehnder EVO CO₂-Sensor (via Funk)



Der drahtlose CO₂-Sensor ermöglicht die Lüftungsgeräte Zehnder EVO im manuellen oder automatischen Modus je nach gemessenem CO₂-Gehalt zu steuern. Er passt automatisch die Lüftergeschwindigkeit gemäß dem gemessenem CO₂-Gehalt an.

7.5. Zehnder EVO RH - Feuchtesensor (via Funk)



Der drahtlose Feuchtesensor ermöglicht die Lüftungsgeräte Zehnder EVO im manuellen oder automatischen Modus je nach gemessene relative Luftfeuchtigkeit zu steuern. Im Automatik-Modus passt das Gerät die Lüftergeschwindigkeit entsprechend den vom Sensor gelieferten Informationen an. Ein zeitlich begrenzter Boost ermöglicht eine vorübergehende Höchstgeschwindigkeit der Lüfter.

EN

DE

IT

FR

NL

ET

LT

LV


7.6. Intelligente Konnektivität

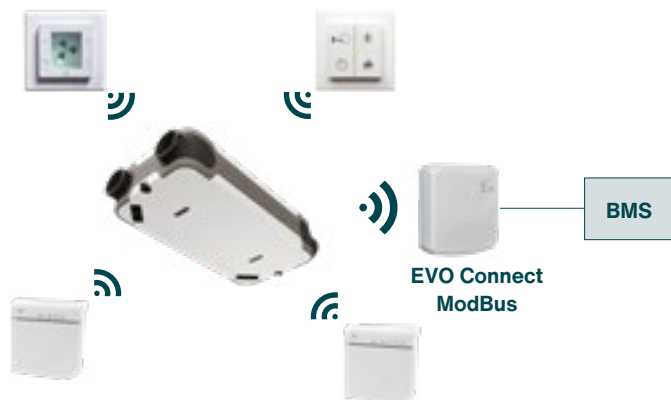
Mit Hilfe folgenden Schnittstellen können Sie Ihr Zuhause in ein Smart Home verwandeln:

- Zehnder EVO Connect ModBus (via Funk)
- Zehnder EVO Connect ModBus-KNX

7.6.1. Zehnder EVO Connect ModBus (via Funk)


Das Modul Zehnder EVO Connect ModBus stellt die Verbindung zwischen Lüftungsgeräten Zehnder EVO und der Infrastruktur eines Gebäudemanagement mit ModBus-Kommunikationsprotokoll her. Zehnder EVO Connect ModBus ermöglicht die Verbindung in ein BMS-System des Lüftungsgerätes sowie all dessen per Funk verbundenen Steuerungen (z.B. Feuchte- oder CO₂-Sensoren). Alle Daten werden drahtlos an Zehnder EVO Connect ModBus übertragen, was über RS 485 mit dem Gebäudemanagementsystem verbunden ist.

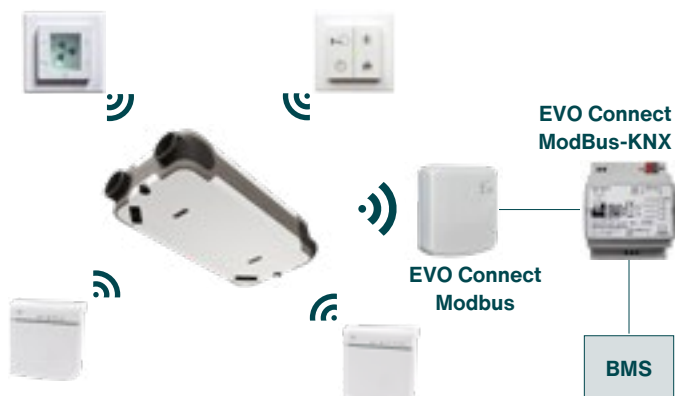
 **EVO Connect ModBus benötigt eine Stromversorgung mit 24 V AC/DC, um ordnungsgemäß zu funktionieren.**



7.6.2. Zehnder EVO Connect ModBus - KNX

Das Gerät „EVO Connect ModBus - KNX“ ist ein ModBus/KNX-Modul für die Verdrahtung mit dem Gateway EVO Connect ModBus, um die vom Gateway gesammelten Daten zu übersetzen und per Kabel an die Gebäudeautomation (BMS) zu senden. Es sammelt Daten von den EVO-Geräten und eventuell angeschlossenen kompatiblen Sensoren (relative Luftfeuchte/CO₂) und drahtlosen Steuergeräten (EVO Sense/EVO Switch).

 **EVO Connect ModBus - KNX benötigt eine Stromversorgung mit 24 V AC/DC, um ordnungsgemäß zu funktionieren.**



EN

DE

IT

FR

NL

ET

LT

LV

8. Inbetriebnahme

Das Lüftungsgerät kann nach der Montage in Betrieb genommen werden. Gehen Sie wie folgt vor.

- Lesen Sie vor dem Start die Anweisungen zur Inbetriebnahme durch.
- Schließen Sie alle Fenster sowie Außen- und Innentüren.
- Überprüfen Sie, ob alle Ventile richtig montiert sind und öffnen Sie sie so weit wie möglich.
- Stellen Sie sicher, dass sich das gesamte Lüftungsgerät und alle Ventilfilter in neuwertigem Zustand befinden. Verschmutzte Filter können das Resultat des Inbetriebnahmeprozesses verfälschen.
- Lüftungsgerät auf Lüfterstufe 3 stellen. Der Automatikbetrieb darf nicht aktiviert sein.
- Stellen Sie sicher, dass die Spalte unter den Türen oder die Durchgangsgitter frei sind und die Luft frei passieren kann. In diesem Zustand müssen sie während des gesamten späteren Betriebs des Lüftungsgeräts bleiben.
- Beginnen Sie mit dem Einstellen der Ventile; starten Sie dabei mit dem Ventil, das den geringsten Luftstrom erhält (normalerweise das Ventil, das am weitesten vom Lüftungsgerät entfernt ist). Verwenden Sie ein kalibriertes Messgerät, um den erforderlichen Nennluftstrom an jedem Ventil einzustellen.
- Um den Energieverbrauch zu minimieren, stellen Sie sicher, dass ein Ventil für die Frischluftzufuhr und ein Ventil für die Ableitung der verbrauchten Luft vollständig geöffnet sind.
- Wiederholen Sie die Volumenstromeinstellung, bis alle Ventile auf den erforderlichen Durchfluss eingestellt sind.
- Wenn es nicht möglich ist, die Luftmenge mit den eingestellten Drehzahlen abzustimmen, kann die Lüfterdrehzahl entsprechend den erforderlichen Volumenströmen eingestellt werden.

9. Betrieb

Das Gerät wird anschlussfertig für den Anschluss an die Stromversorgung geliefert und arbeitet vollautomatisch. Die aus den Innenräumen abgesaugte verbrauchte Luft überträgt Wärmeenergie auf die Außenluft. Die frische, saubere Luft wird dem Inneren des Hauses mit einer vorkonditionierten Temperatur zugeführt, im Sommer kühl und im Winter warm, was zu erheblichen Energieeinsparungen führt.

Das Gerät wird mit einem konstanten Volumenstrom geregelt, d. h. die Luftzufuhr- und Abluftvolumenströme werden unabhängig vom Druckabfall im Kanalnetz erreicht.

9.1. Bypass

Der serienmäßige Bypass ermöglicht die direkte Zufuhr von Außenluft, die nur durch den Filter, nicht aber durch den Wärmetauscher strömt, um die günstigen Außentemperaturen zu bestimmten Zeiten zu nutzen, z. B. nachts im Sommer, wenn es vorteilhaft ist, Frischluft einzulassen, um die Temperatur in der Wohnung ohne Kostenaufwand zu senken („passive Kühlung“). Das Bypassventil wird automatisch aktiviert, wenn bestimmte Bedingungen erfüllt sind, wie in der folgenden Tabelle dargestellt.

Betrieb des Bypasses	
Bypass offen	<ul style="list-style-type: none"> ▪ Die Außentemperatur liegt über 10 °C. ▪ Im Sommer, ist die Außentemperatur 3 °C kühler als die Ablufttemperatur und niedriger als die Komforttemperatur. Im Winter, ist die Außentemperatur 3 °C wärmer als die Ablufttemperatur und höher als die Komforttemperatur.
Bypass geschlossen	<ul style="list-style-type: none"> ▪ Die Außentemperatur liegt unter 10 °C. ▪ Im Sommer, ist die Außentemperatur höher als die Ablufttemperatur und höher als die Komforttemperatur. Im Winter, ist die Außentemperatur niedriger als die Ablufttemperatur und niedriger als die Komforttemperatur.

9.2. Frostschutz

WARNUNG!

Das Zehnder EVO erkennt automatisch die aktuelle Jahreszeit.

Damit sich am Wärmetauscher bei sehr niedrigen Außentemperaturen kein Eis bildet, ist das Zehnder EVO mit einer Frostschutzregelung ausgestattet.

Je nach gemessenen Temperaturen im Wärmetauscher, gehen die Ventilatoren bei Bedarf in Disbalance.

Ab -2 °C für Zehnder EVO-Geräten mit Standard- oder Enthalpietauscher ohne Vorheizregister und ab -16 °C für Zehnder EVO-Geräten mit Standard- oder Enthalpietauscher mit Vorheizregister, schaltet das Gerät aus, um eine Beschädigung des Wärmetauschers zu verhindern. Die Temperatur wird stündlich geprüft, um zu schauen, ob das Gerät wieder sicher starten kann.

EN

DE

IT

FR

NL

ET

LT

LV

10. Wartungsverfahren

Führen Sie alle in diesem Abschnitt aufgeführten vorbeugenden Wartungsarbeiten regelmäßig durch. Wenn vorbeugende Wartungsarbeiten nicht regelmäßig durchgeführt werden, wird die Leistung der Lüftungsanlage beeinträchtigt.

Bevor Sie mit der Wartung beginnen, lassen Sie das Lüftungsgerät zwei Minuten lang mit Lüfterstufe 3 laufen, um das Kondensat aus dem Wärmetauscher zu entfernen.

Wenn eine Komponente ausgetauscht werden muss, bestellen Sie ein Original-Ersatzteil bei Zehnder und lassen Sie alle Arbeiten von einem Mitarbeiter von Zehnder ausführen.

Mit Ausnahme des Filteraustauschs müssen alle Wartungsarbeiten von Fachpersonal durchgeführt werden.

Sofern nicht anders angegeben, ist das Lüftungsgerät vor Beginn der Wartungsarbeiten stets von der Stromversorgung zu trennen. Wenn das Gerät im geöffneten Zustand betrieben wird, besteht eine reale Gefahr von Personenschäden. Stellen Sie sicher, dass es nicht versehentlich in Betrieb genommen werden kann.

Ergreifen Sie geeignete Maßnahmen, um elektrostatische Entladungen bei der Arbeit mit der Elektronik zu verhindern, da elektrostatische Elektrizität diese irreparabel beschädigen kann.

10.1. Wartung der Luftfilter

Dieser Wartungsvorgang kann vom Benutzer durchgeführt werden.

Die Filter sollten alle drei Monate überprüft werden. Bei groben Verschmutzungen (Insekten, kleine Pflanzenteile usw.) können sie mit dem Staubsauger gereinigt und wieder in das Gerät eingesetzt werden.

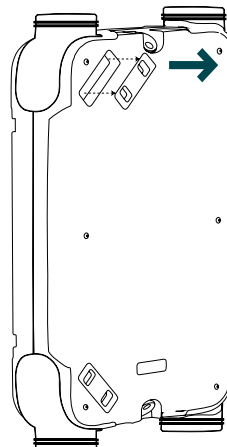
Filter müssen mindestens halbjährlich gewechselt werden. Besorgen Sie sich vorab Ersatzfilter und achten Sie darauf, dass es sich um Originalfilter von Zehnder handelt.

WARNUNG!

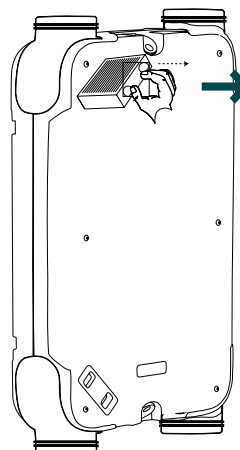
Zehnder EVO darf niemals ohne Zehnder-Originalfilter betrieben werden.

1. Wenn eine Bedieneinheit Zehnder EVO Sense RF verwendet wird, führen Sie den Filterwechselfvorgang an der Steuerung aus. Andernfalls schalten Sie das Gerät aus. Wenn das Gerät an Zehnder EVO Switch RF oder Zehnder Multi Control angeschlossen ist, denken Sie daran, den Filterwechselalarm zurückzusetzen, sobald der Vorgang abgeschlossen ist.

2. Entfernen Sie die Filterabdeckungen.



3. Entfernen Sie die gebrauchten Filter vorsichtig aus dem Filterfach. Wenn die beiden Filter nicht identisch sind, achten Sie auf ihre Position: **Beachten Sie bitte, dass der ISO Coarse Filter in die Abluft eingesetzt wird und der ISO ePM1 Filter in die Außenluft.**



EN

DE

IT

FR

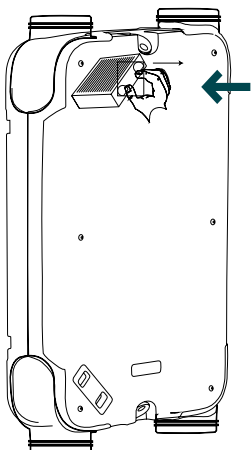
NL

ET

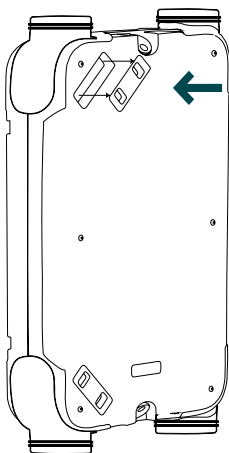
LT

LV

4. Schieben Sie die neuen Filter vorsichtig in das Filterfach ein.




5. Setzen Sie die Filterabdeckungen wieder ein.



6. Starten Sie die Lüftungsanlage neu.

 Wenn die Filter des Geräts gewechselt werden, reinigen Sie auch die Filter an den Abluftventilen, Abdeckgittern und Luftauslässen.

 Entsorgen Sie den verschmutzten Filter als nicht recycelbaren Abfall.

10.2. Reinigung des Lüftungsgeräts

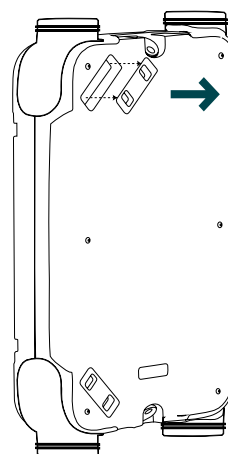
Alle internen Komponenten des EVO-Geräts (Wärmetauscher, Lüfter usw.) müssen alle zwei Jahre überprüft und gereinigt werden.

WARNUNG!

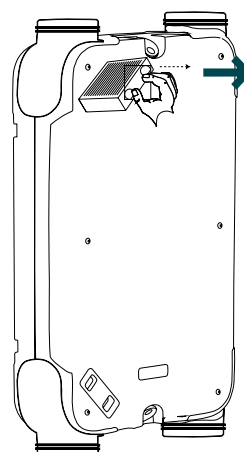
Diese Wartungsarbeiten dürfen nur von einem von Zehnder autorisierten, qualifizierten Techniker durchgeführt werden. Wenden Sie sich an Ihre nächste Zehnder Vertretung.

1. Trennen Sie das Gerät von der Stromversorgung.

2. Entfernen Sie die Filterabdeckungen.



3. Entfernen Sie die gebrauchten Filter vorsichtig aus dem Filterfach. Wenn die beiden Filter nicht gleich sind, beachten Sie ihre Positionen: **Beachten Sie bitte, dass der ISO Coarse Filter in die Abluft eingesetzt wird und der ISO ePM1 Filter in die Außenluft.**



EN

DE

IT

FR

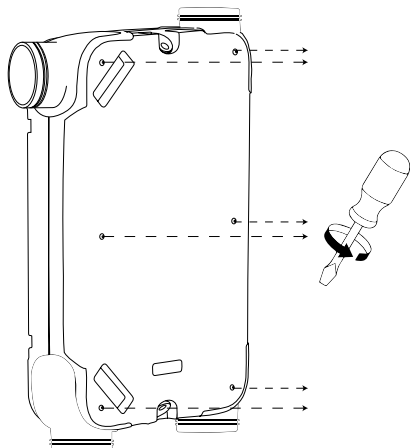
NL

ET

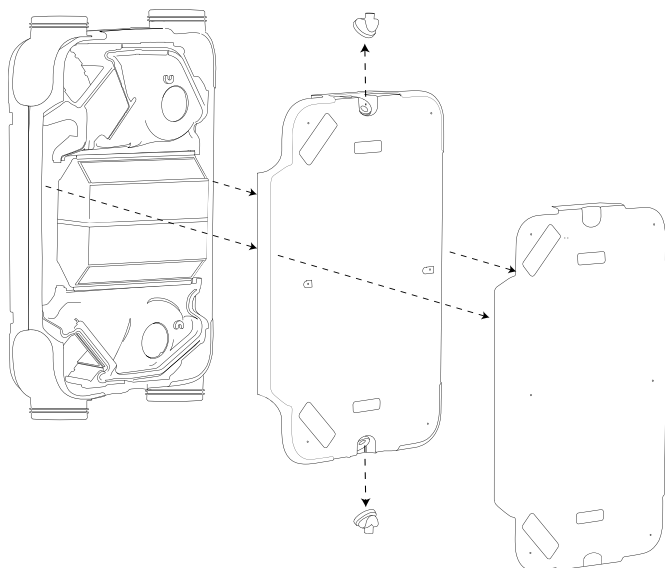
LT

LV

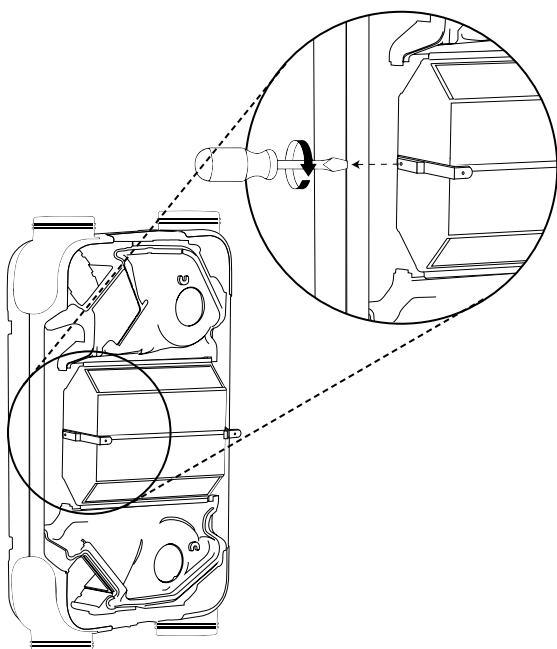
4. Entfernen Sie die Schrauben der Gerätefrontabdeckung



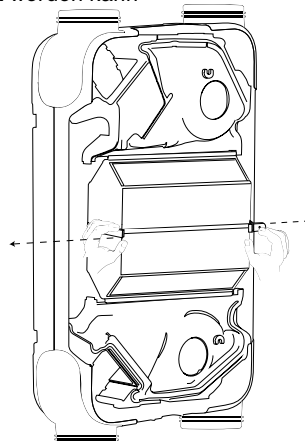
5. Entfernen Sie die Frontabdeckung und die obere Abdeckung aus Polypropylen, um den Wärmetauscher, die Lüfter und den Bypasskanal freizulegen.



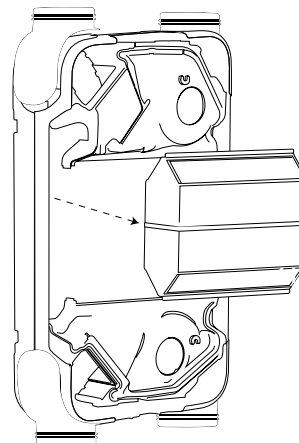
6. Lösen und entfernen Sie den linken Montagewinkel



7. Lösen Sie die Halterungen, die den Wärmetauscher halten, so dass er entfernt werden kann

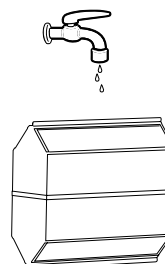


8. Entfernen Sie den Wärmetauscher



Entfernen Sie den Wärmetauscher vorsichtig. Im Wärmetauscher befindet sich möglicherweise etwas Kondensat.

9. Reinigen Sie den Wärmetauscher unter fließendem Wasser



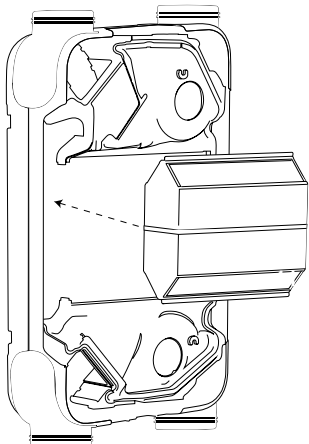
10. Überprüfen Sie, ob das sichtbare Innere des Geräts sauber ist: Wärmetauscherfach, Bypasskanal, Polypropylenteile. Bei Bedarf mit einem weichen Tuch reinigen.

11. Reinigen Sie die Lüfter mit einer Bürste versehenen Staubsauger und vergewissern Sie sich, dass sie nicht beschädigt sind. Falls doch, ersetzen Sie sie.

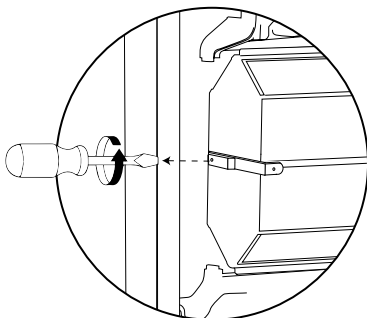
- EN
- DE
- IT
- FR
- NL
- ET
- LT
- LV

12. Sobald die Reinigungsarbeiten abgeschlossen sind, bauen Sie das Gerät wieder zusammen.

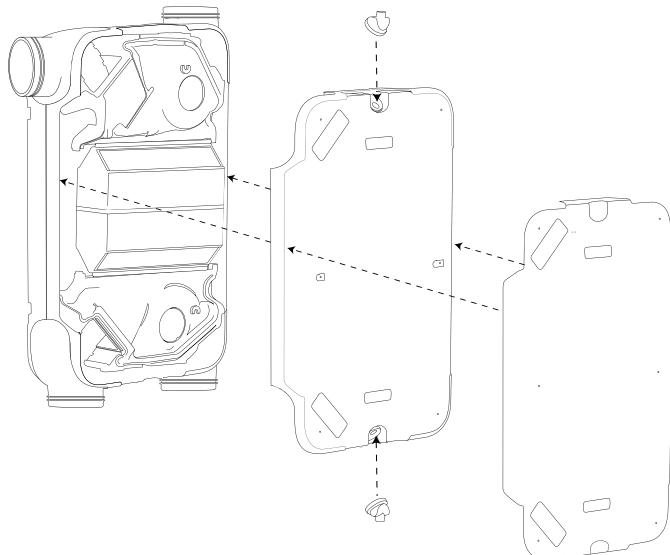
13. Setzen Sie den Wärmetauscher wieder in sein Fach ein



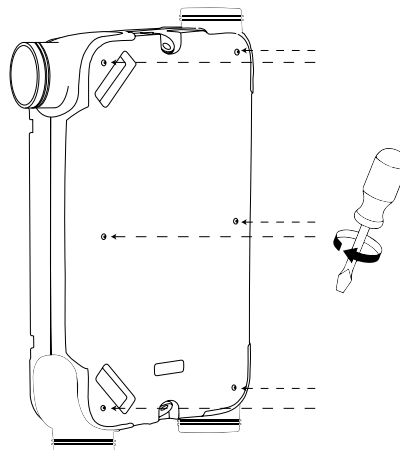
14. Setzen Sie die linke Halterung wieder ein und ziehen Sie die Schraube wieder fest



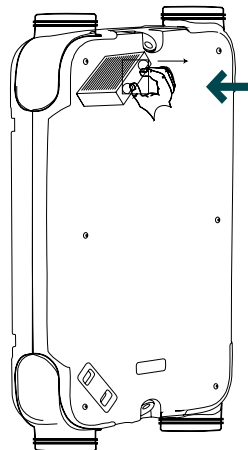
15. Setzen Sie die Polypropylen- und Gerätefrontabdeckung wieder auf.



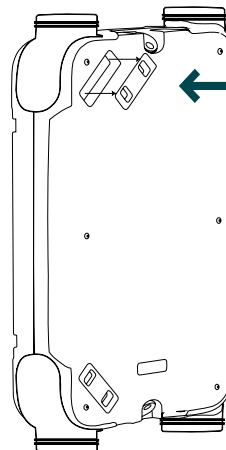
16. Ziehen Sie die Schrauben an der Frontabdeckung wieder fest.



17. Schieben Sie die Filter vorsichtig wieder in das Filterfach ein.



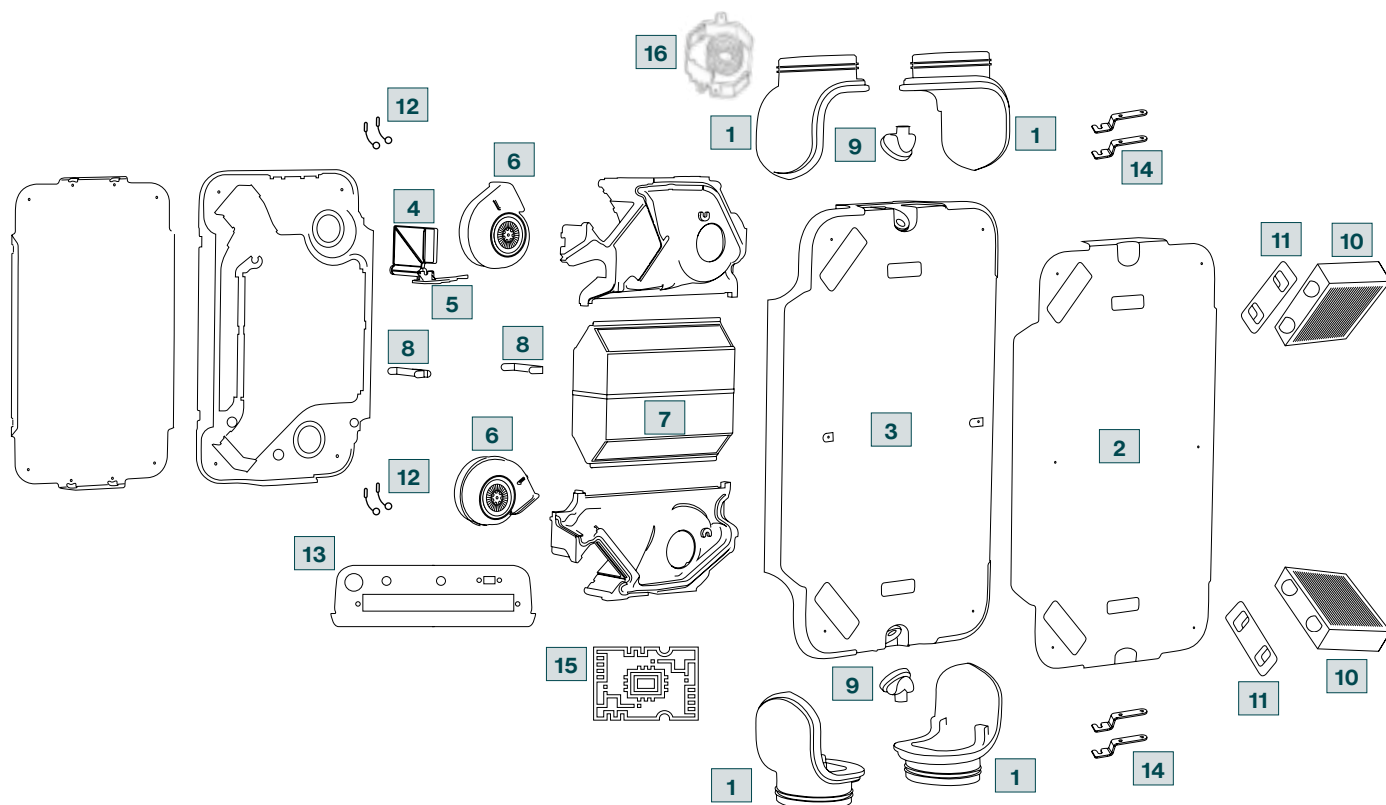
18. Bringen Sie die Filterabdeckungen wieder an



Stellen Sie sicher, dass die obere Abdeckung aus Polypropylen perfekt auf die Unterseite ausgerichtet ist, ohne Spalte an den Seiten. Überprüfen Sie andernfalls, ob die Drähte korrekt in die dafür vorgesehenen Nuten eingepasst sind.

- EN
- DE
- IT
- FR
- NL
- ET
- LT
- LV

11. Geräteübersicht und Beschreibung der Komponenten



Nr.	Komponentenbeschreibung	Stückzahl
1	Drehbare Anschlussstutzen	4 Stück
2	Frontabdeckung	1 Stück
3	EPP für Lüfter, Wärmetauscher, Elektronik	1 Stück
4	Bypassventil	1 Stück
5	Bypassmotor	1 Stück
6	Ventilatoren	2 Stück
7	Wärmetauscher / Enthalpietauscher	1 Stück
8	Halterungen für Wärmetauscher	2 Stück
9	Schwenkbarer Kondensatablaufstutzen	2 Stück
10	Hochleistungsfilter	2 Stück
11	Filterabdeckung	2 Stück
12	Temperaturfühler	4 Stück
13	Anschlussplatine	1 Stück
14	Schwingungsdämpfer	4 Stück
15	Hauptplatine	1 Stück
16	Vorheizregister (*)	1 Stück

(*) Nur bei den Modellen Zehnder EVO 3 HRV PR und Zehnder EVO 3 ERV PR enthalten.

- EN
- DE
- IT
- FR
- NL
- ET
- LT
- LV

1. Indice

1. Premessa	3
1.1. Uso dell'unità Zehnder EVO 3	3
1.2. Condizioni di garanzia	3
2. Introduzione e sicurezza	3
2.1. Introduzione	3
2.2. Sicurezza	4
2.3. Condizioni di installazione	4
2.4. Disposizioni per l'uso in ambienti con focolari	5
2.5. Conformità	5
3. Trasporto e consegna	5
3.1. Indicazioni di sicurezza per il trasporto	5
3.2. Controllo della fornitura	5
3.3. Disimballo dell'unità di ventilazione	6
4. Caratteristiche dell'unità EVO 3	6
4.1. Connessioni	6
4.2. Modifica del modello da "factory version" a "mirror version"	7
4.3. Esploso dell'unità	7
4.4. Specifiche tecniche	8
4.5. Preriscaldamento elettrico modelli EVO 3 HRV PR e EVO 3 ERV PR	8
4.6. Classi di efficienza energetica	8
4.7. Curve caratteristiche	9
4.8. Punti di lavoro	9
4.9. Principio di funzionamento dello scambiatore entalpico	9
4.10. Dati acustici	10

5. Installazione	10
5.1. Dimensioni	10
5.2. Valutazioni preliminari	10
5.3. Installazione	11
5.4. Installazione a soffitto	11
5.5. Installazione a parete	12
5.6. Orientamento connessioni	14
5.7. Connessione dello scarico condensa	15
6. Connessioni elettriche	16
7. Controlli e connettività	18
7.1. Zehnder Multi Control	18
7.2. Zehnder EVO Sense	18
7.3. Zehnder EVO Switch	18
7.4. Sensore CO ₂ EVO	18
7.5. Sensore di umidità EVO	18
7.6. Smart connectivity	19
7.6.1. EVO Connect KNX	19
7.6.2. EVO Connect ModBus - KNX	19
8. Messa in funzione	20
9. Funzionamento	20
9.1. Funzionamento del bypass	20
9.2. Sicurezza antigelo	20
10. Procedura di manutenzione	21
10.1. Manutenzione dei filtri dell'aria	21
10.2. Pulizia dell'unità di ventilazione	22
11. Panoramica dell'unità e descrizione delle componenti	25

EN

DE

IT

FR

NL

ET

LT

LV

1. Premessa

Attenzione!



Leggere attentamente il presente manuale prima dell'installazione e della messa in funzione.

Il presente documento supporta nell'installazione, nella messa in funzione e nella manutenzione sicura e ottimale dell'unità di ventilazione meccanica controllata Zehnder EVO 3.

In seguito, Zehnder EVO 3 può essere definita "unità di ventilazione".

Poiché essa viene costantemente sviluppata e migliorata, la vostra unità può differire dalle descrizioni qui contenute.

Il manuale di installazione più aggiornato può essere scaricato dal sito internet Zehnder.

Vengono utilizzati i seguenti pittogrammi:

Simbolo	Significato
	Nota importante
	Rischio di danni al sistema o di prestazioni ridotte
	Rischio di lesioni personali

!/? Domande

Per tutti i quesiti, per i manuali aggiornati e per informazioni sui Centri di Assistenza Tecnica rivolgersi alla sede Zehnder.

Dati di contatto:

Zehnder Group Italia S.r.l.

Via XXV Luglio 6 - 41011 Campogalliano (MO)

T +39 059 978 62 00

info@zehnder.it

www.zehnder.it

1.1. Uso dell'unità Zehnder EVO 3

- L'unità di ventilazione e l'eventuale comando possono essere messi in funzione solo se installati secondo le norme nazionali e locali vigenti e secondo le istruzioni contenute nel presente manuale e nel manuale del comando.
- L'uso dell'unità e del comando non sono autorizzati per le persone (compresi i minori) con ridotte capacità fisiche, sensoriali o mentali o con mancanza di esperienza e competenza, a meno che non siano sorvegliati da una persona responsabile e che abbiano ricevuto le istruzioni necessarie per l'uso in sicurezza.
- I bambini non devono giocare con l'unità di ventilazione.
- I bambini non devono eseguire operazioni di alcun tipo sull'unità di ventilazione senza supervisione.

1.2. Condizioni di garanzia

Il produttore fornisce una garanzia sull'unità di ventilazione della durata di 24 mesi a partire dall'installazione o al massimo 30 mesi a partire dalla data di produzione. I diritti della garanzia possono essere fatti valere solo per difetti di materiale e/o di progettazione che si verificano durante il periodo di garanzia.

In caso di richiesta di intervento in garanzia, l'unità di ventilazione non deve essere aperta né smontata senza l'autorizzazione scritta del produttore. L'intervento e i ricambi sono coperti da garanzia solo se l'intervento viene eseguito da un Centro di Assistenza Tecnica autorizzato e se si utilizzano ricambi originali Zehnder.



Per modificare le impostazioni di fabbrica è obbligatorio l'intervento di un Centro di Assistenza Tecnica autorizzato Zehnder.

La garanzia decade se:

- Il periodo di validità della garanzia è scaduto.
- L'unità di ventilazione viene utilizzata senza un filtro originale Zehnder o senza una griglia esterna a parete.
- Non sono stati utilizzati ricambi originali Zehnder.
- L'unità di ventilazione è stata sottoposta a modifiche o cambiamenti non autorizzati.
- I difetti sono dovuti a un'installazione impropria, a un uso improprio o a una non corretta manutenzione dell'impianto.

2. Introduzione e sicurezza

2.1. Introduzione

Zehnder EVO 3 è una unità di ventilazione meccanica controllata con recupero di calore, per un ricambio d'aria costante ed efficiente dal punto di vista energetico in piccoli edifici, appartamenti e case. L'unità di ventilazione estrae l'aria umida e viziata da locali come cucine e bagni e, contemporaneamente, immette la stessa portata di aria di rinnovo negli ambienti abitativi come soggiorni, camere da letto, ecc. La circolazione dell'aria è assicurata dalle fessure sotto le porte o da apposite griglie di transito silenziate.

L'impianto di ventilazione meccanica controllata comprende:

- l'unità di ventilazione;
- condotti per la presa d'aria esterna e l'espulsione di centrale;
- canali secondari per l'aria di mandata e l'aria di ripresa nei vari ambienti;
- valvole e griglie per immettere l'aria di mandata nei soggiorni, nelle camere da letto e in altri locali abitativi;
- valvole e griglie per aspirare l'aria di ripresa da cucine, bagni e altri locali umidi;
- griglie a parete esterne per la presa d'aria esterna e l'espulsione.



Leggere il manuale prima di utilizzare l'unità di ventilazione.



Assicurarsi che le fessure sotto le porte o le griglie di transito non siano mai ostruite per garantire la circolazione dell'aria nell'edificio.



Sul lato esterno dell'unità di ventilazione può formarsi umidità da condensazione. In questo caso non è necessario alcun intervento.



L'unità di ventilazione deve essere smaltita in modo ecologico. Non smaltire con i rifiuti domestici.

2.2. Sicurezza

Leggere attentamente tutte le istruzioni di sicurezza per un uso sicuro e corretto dell'unità di ventilazione.



ATTENZIONE! Tensione elettrica pericolosa. In caso di calamità naturale, scollegare l'alimentazione elettrica.



Seguire le norme di sicurezza, le avvertenze e le istruzioni contenute nel presente manuale. La mancata osservazione può causare danni all'unità o lesioni personali.



L'installazione, l'avviamento e la manutenzione devono essere eseguite da tecnici specializzati, se non diversamente specificato nelle istruzioni.



Non aprire l'unità di ventilazione. Il tecnico specializzato deve assicurarsi che tutte le parti che possono provocare lesioni personali siano collocate in modo sicuro all'interno dell'unità.



Se non diversamente richiesto nel presente manuale, mantenere l'unità sempre in funzione. In caso contrario, potrebbe verificarsi l'accumulo di umidità e la formazione di muffa.



L'unità di ventilazione e i comandi ad essa connessi non possono essere modificati. Una modifica fisica o del software provocano il decadimento della garanzia, e possono provocare malfunzionamenti o lesioni personali.



Se il cavo di alimentazione risulta danneggiato, deve essere sostituito da un tecnico specializzato e autorizzato da Zehnder.



Per l'installazione, attenersi alle norme nazionali e locali vigenti e al presente manuale. Installare un interruttore sezionatore di sicurezza per poter scollegare l'alimentazione elettrica.



Scollegare sempre l'unità di ventilazione dalla rete elettrica prima di iniziare qualsiasi lavoro di manutenzione o riparazione. Assicurarsi che essa non possa riaccendersi accidentalmente.



Non accendere l'unità di ventilazione quando è aperta: la tensione elettrica e il movimento dei ventilatori possono provocare lesioni personali.



Adottare misure idonee per prevenire le scariche elettrostatiche quando si lavora sull'unità. L'elettricità statica può causare danni alle componenti elettroniche.

2.3. Condizioni di installazione

L'unità di ventilazione è concepita per l'uso in ambienti abitativi, uffici, piccole attività artigianali o similari, a condizione che:

- non vi siano saune o piscine;
- non vi sia umidità eccessiva;
- non vi siano polveri eccessive;
- non vi siano sostanze nocive o potenzialmente corrosive.

Per determinare se l'unità di ventilazione può essere installata nel luogo prescelto, occorre osservare le seguenti condizioni:

- sia presente una alimentazione elettrica 230 V, 50 Hz; qualsiasi altra tensione o frequenza di esercizio può danneggiare irreparabilmente l'unità;
- le temperature nell'ambiente si mantengano sempre all'interno del range consentito (vedi la tabella "Specifiche Tecniche");
- l'umidità nell'ambiente non sia eccessiva, non sia condensante, e si mantenga sempre all'interno del range consentito (vedi la tabella "Specifiche Tecniche"). Non installare in ambienti con umidità superiori alla media come bagni o spogliatoi.

Verificare che vi sia spazio sufficiente nell'area di installazione per il sistema di distribuzione dell'aria.

Lasciare l'unità di ventilazione completamente accessibile per consentire le operazioni di manutenzione.

Zehnder EVO 3 può essere installata a parete o a soffitto, utilizzando staffe di fissaggio incluse.



Consultare il paragrafo dedicato per verificare le varie possibilità di installazione.

EN

DE

IT

FR

NL

ET

LT

LV

2.4. Disposizioni per l'uso in ambienti con focolari

Per un uso sicuro dell'unità di ventilazione occorre tenere conto dei requisiti locali contenuti in norme, leggi e direttive pertinenti. Zehnder EVO 3 può essere installata in locali, appartamenti o unità comparabili in cui siano installati caminetti o altri impianti a combustione alimentata ad aria ambiente solo se:

- i dispositivi di sicurezza impediscono il funzionamento simultaneo dei caminetti ad aria ambiente e dell'estrazione dell'aria.

Oppure

- lo scarico fumi dell'impianto di combustione alimentato dall'aria ambiente è monitorato da speciali dispositivi di sicurezza. Nel caso essi siano alimentati da combustibili liquidi o gassosi, se il dispositivo di sicurezza si attiva, occorre spegnere l'impianto di combustione o l'impianto di ventilazione. Nel caso essi siano alimentati a combustibili solidi, l'impianto di ventilazione deve essere spento se il dispositivo di sicurezza si attiva.

Le unità di ventilazione meccanica controllata non possono essere installate se nell'unità sono presenti impianti di combustione alimentati dall'aria ambiente collegati a sistemi di scarico fumi con allacciamento multiplo. Per un corretto funzionamento, i condotti dell'aria di combustione e i sistemi di scarico dei fumi degli impianti a camera aperta devono poter essere chiusi.

I caminetti a combustibile solido devono poter essere spenti, con un dispositivo di intercettazione azionabile solo manualmente. La posizione del dispositivo di disinserimento deve essere riconoscibile dall'impostazione della maniglia di comando. Questo requisito è soddisfatto se viene utilizzato un dispositivo di disinserimento contro la fuliggine (dispositivo di blocco della fuliggine).

Requisiti di protezione antincendio: devono essere rispettate le normative nazionali e locali per quanto riguarda le norme di installazione e di protezione antincendio per l'installazione dell'impianto di ventilazione meccanica controllata.

2.5. Conformità

Le unità di ventilazione Zehnder EVO del produttore



Siber Zone S.l.u.

C/Can Marcia 2
08520 Las Frenquesas des Vallés
Apto de Correos n°9
Barcelona, Espana

sono conformi alle direttive e alle norme della dichiarazione di conformità UE e del certificato EAC.

3. Trasporto e consegna

3.1. Indicazioni di sicurezza per il trasporto



L'intervallo di temperatura ammesso per lo stoccaggio e il trasporto è compreso tra -20 °C e +50 °C.



Prima di trasportare l'unità di ventilazione, leggere le informazioni e le istruzioni di sicurezza.



Trasportare l'unità di ventilazione sempre in coppia. L'unità di ventilazione deve essere maneggiata con cura durante il trasporto e il disimballaggio.



I bordi dell'unità di ventilazione possono essere taglienti. Indossare guanti di protezione per evitare tagli.

3.2. Controllo della fornitura

La scatola contiene:

- Unità di ventilazione Zehnder EVO 3;
- Guida rapida di installazione;
- Etichetta EcoDesign;
- Staffe di installazione;
- Sacchetto contenente i giunti antivibranti e le viti di fissaggio.

Controllare la targhetta di identificazione per assicurarsi di aver ricevuto l'unità corretta:

- EVO 3 HRV: unità con scambiatore sensibile;
- EVO 3 ERV: unità con scambiatore entalpico;
- EVO 3 HRV PR: unità con scambiatore sensibile e preriscaldamento elettrico;
- EVO 3 ERV PR: unità con scambiatore entalpico e preriscaldamento elettrico.



In caso di danni evidenti all'unità di ventilazione o accessori mancanti, contattare immediatamente il fornitore.

L'unità di ventilazione Zehnder EVO 3 è fornita senza accessori di regolazione. Consultare il paragrafo relativo per gli accessori opzionali.

EN

DE

IT

FR

NL

ET

LT

LV

3.3. Disimballo dell'unità di ventilazione

Aprire la parte superiore dell'imballo in cartone. Sollevare l'unità di ventilazione estraendola dall'imballo e posizionarla su una superficie morbida e pulita per evitare di danneggiarla. Conservare la scatola di cartone per utilizzarla come dima di foratura durante l'installazione dell'unità.



Maneggiare l'unità di ventilazione con cura. Per sollevare l'unità sono necessarie due persone. Evitare di afferrare i raccordi perchè potrebbero danneggiarsi.



Smaltire il materiale di imballaggio nel rispetto dell'ambiente.



Prestare attenzione a non perdere gli accessori inclusi nella fornitura.

4. Caratteristiche dell'unità EVO 3

L'unità Zehnder EVO 3 è una unità di ventilazione meccanica controllata a doppio flusso con recupero di energia con prestazioni fino all'88,9% (Declaration of Performance secondo UE 1254/2014), con una portata di ventilazione massima di 300 m³/h, con ventilatori a basso consumo, bypass automatico per free cooling.

Caratteristiche dell'unità EVO 3:

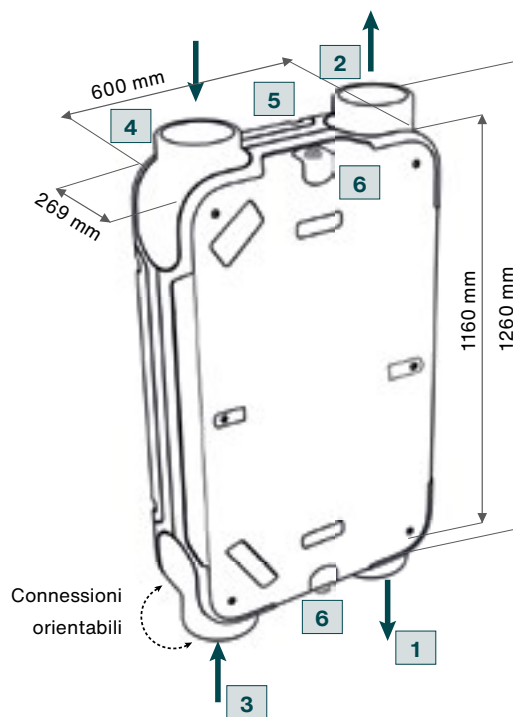
- regolazione continua dei flussi d'aria tramite il pannello di controllo;
- indicatore stato filtro (led nella morsettiera);
- regolazione antigelo intelligente che assicura il funzionamento ottimale anche a basse temperature. Se necessario, e se l'unità acquistata è una versione "PR", si avvia il preriscaldamento elettrico;
- basso livello acustico;
- dotazione di serie del bypass automatico;
- regolazione della portata costante;
- alte prestazioni e ridotto consumo energetico.

Zehnder EVO 3 è disponibile in 4 versioni:

- EVO 3 HRV: unità con scambiatore sensibile;
- EVO 3 ERV: unità con scambiatore entalpico;
- EVO 3 HRV PR: unità con scambiatore sensibile e preriscaldamento elettrico;
- EVO 3 ERV PR: unità con scambiatore entalpico e preriscaldamento elettrico.

Queste istruzioni di installazione si applicano a tutte le versioni dell'unità Zehnder EVO 3.

4.1. Connessioni



Legenda configurazione standard "factory version"

Simbolo	Significato
1	Mandata dell'aria di rinnovo nell'abitazione
2	Espulsione dell'aria viziata verso l'esterno
3	Estrazione dell'aria viziata dall'abitazione
4	Presa dell'aria di rinnovo dall'esterno
5	Collegamenti elettrici
6	Scarico condensa *

* La connessione alla rete di scarico condensa è necessaria per le unità EVO 3 HRV e EVO 3 HRV PR. Per maggiori informazioni, vedi il relativo paragrafo.

EN

DE

IT

FR

NL

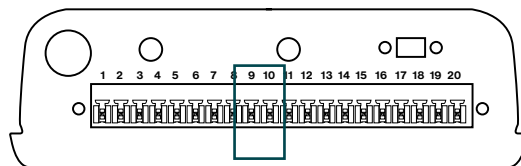
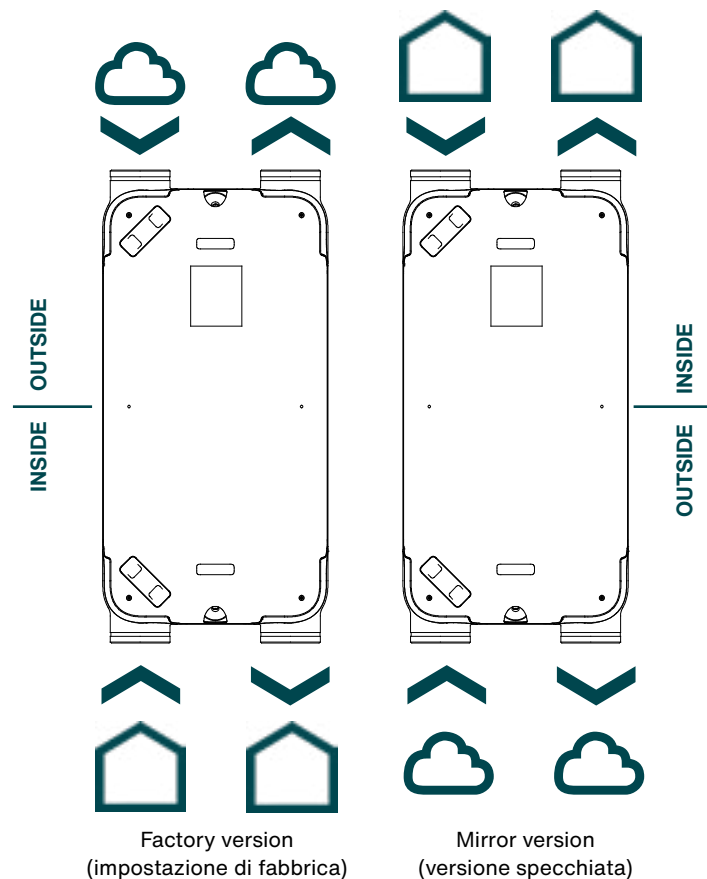
ET

LT

LV

4.2. Modifica del modello da "factory version" a "mirror version"

Per modificare l'impostazione da "factory version" a "mirror version", è sufficiente ponticellare i connettori 9 e 10.



IMPORTANTE!

Se l'unità è installata a parete, può essere installata **SOLO** con connettori elettrici rivolti verso l'alto.
L'unità con scambiatore HRV **DEVE** essere installata con presa aria esterna ed espulsione rivolte verso il basso ("mirror version").

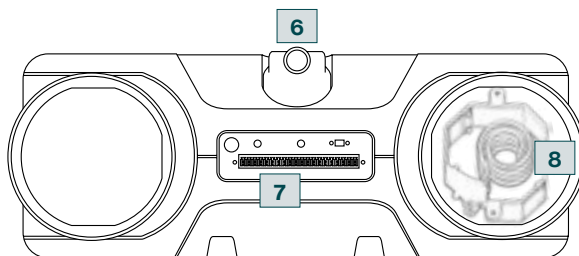
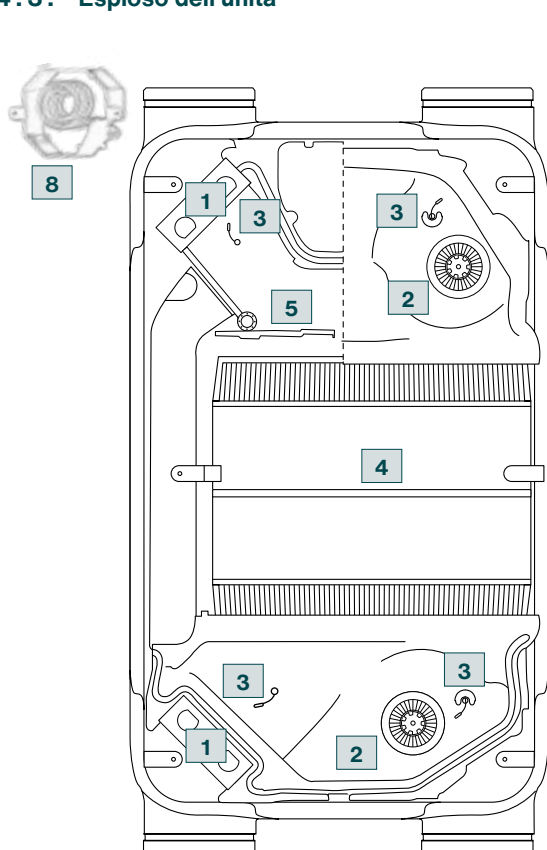
Consultare il relativo capitolo.

IMPORTANTE!

La modifica del modello da "factory version" a "mirror version" **NON** è possibile per i modelli:

EVO 3 HRV PR e EVO 3 ERV PR

4.3. Esploso dell'unità








Simbolo	Significato
1	Filtri ad alte prestazioni
2	Ventilatori a basso consumo
3	Sensori di temperatura
4	Scambiatore di calore ad alta efficienza
5	Bypass automatico
6	Scarico condensa *
7	Connessioni elettriche
8	Preriscaldamento **

* La connessione alla rete di scarico condensa è necessaria per le unità EVO 3 HRV e EVO 3 HRV PR

** Incluso come standard solo nei modelli EVO 3 HRV PR e EVO 3 ERV PR

4.4. Specifiche tecniche

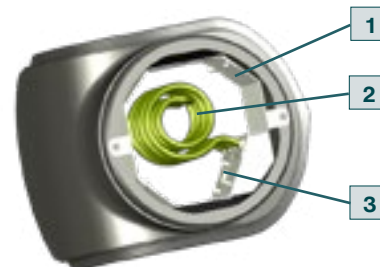
Zehnder EVO 3					
Dimensioni (Lunghezza x Larghezza x Profondità)	1160 x 600 x 269 mm				
Peso	36 kg				
Installazione	Orizzontale a soffitto o verticale a parete (*)				
Temperature limite ambiente di installazione	da 10 a 45°C				
Umidità limite ambiente di installazione	< 90 % non condensante				
Connessione scarico condensa (Ø)	1/2"				
Dimensione delle connessioni aerauliche (Ø)	Ø 160				
Tensione di rete	230 V / 50 Hz				
Portata d'aria massima	300 m³/h / 83.2 l/s				
	Zehnder EVO 3 HRV		Zehnder EVO 3 ERV		
Filtri standard	2x ISO Coarse 65 % (G4) per mandata e ripresa				
Filtri opzionali	ISO ePM1 55% (F7) / ISO Coarse 65 % (G4) per mandata e ripresa				
Modalità di ventilazione					
Comando ComfoSense S	0	1	2	3	Boost
Portata di ventilazione (m³/h)	90	120	180	240	300

(*) Vedi capitolo relativo per le possibilità e le avvertenze di installazione dell'unità a parete

4.5. Preriscaldamento elettrico modelli EVO 3 HRV PR e EVO 3 ERV PR

Il preriscaldamento elettrico è installato di serie sui modelli EVO 3 HRV PR e EVO 3 ERV PR, sul raccordo di ingresso dell'aria esterna. La temperatura dell'aria in ingresso è aumentata a 10°C, proteggendo il recuperatore nelle giornate più fredde dell'anno. Se possibile, è consigliabile installare un prefiltro esterno per impedire l'accumulo di sporcizia sull'elemento di preriscaldamento.

1. Resistenze in acciaio inox AISI304L
2. Potenza 1 kW
3. La protezione automatica a 40°C impedisce il surriscaldamento

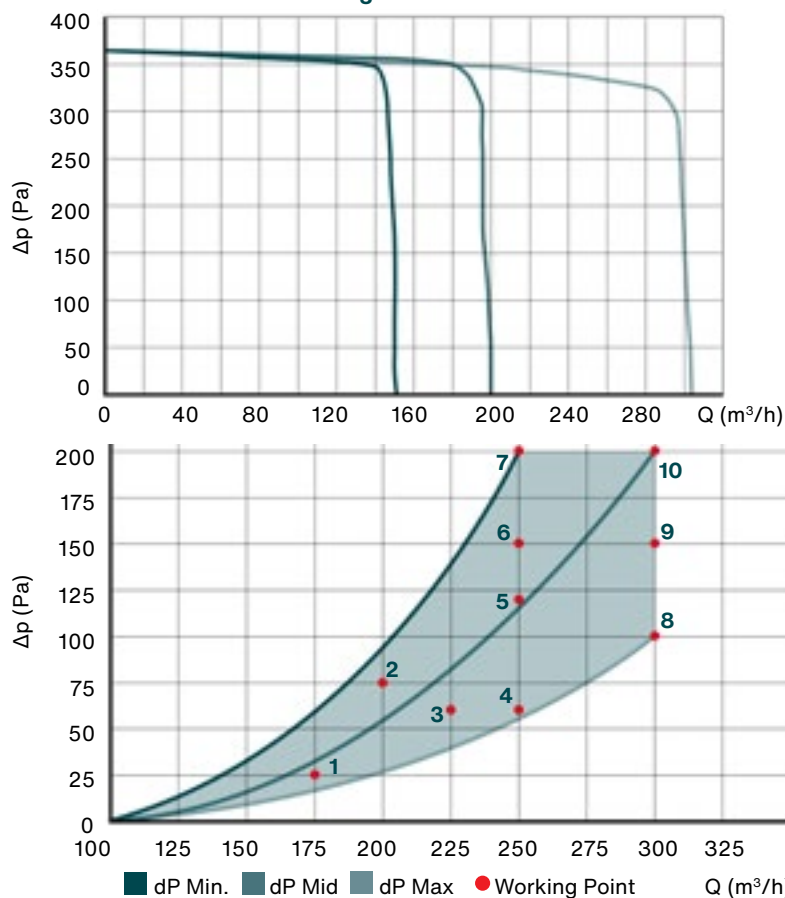


Classi di efficienza energetica ai sensi del Regolamento dell'Unione Europea n. 1254/2014.

Dati sull'energia		Dati sull'energia	
Etichetta dell'UE sul consumo di energia EVO 3 HRV		Etichetta dell'UE sul consumo di energia EVO 3 ERV	
Classe di efficienza energetica	A⁺ **	Classe di efficienza energetica	A **
Portata in volume d'aria massima [m³/h]	300	Portata in volume d'aria massima [m³/h]	300
Efficienza secondo certificazione energetica	88,9%	Efficienza secondo certificazione energetica	74,3%
Livello di potenza sonora LWA dB(A)	45	Livello di potenza sonora LWA dB(A)	45

** a seconda dell'unità di comando/tecnologia delle sonde scelta.

4.6. Classi di efficienza energetica

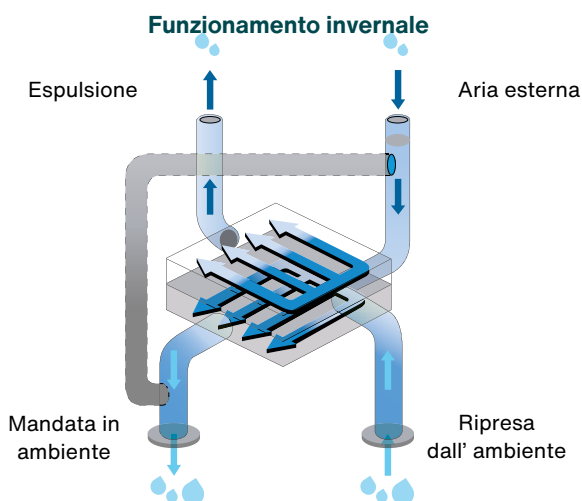


4.7. Curve caratteristiche

4.8. Punti di lavoro

Punti di lavoro				
Punto	Portata [m³/h]	Press. [Pa]	Pot. [W]	SFP [W/l/s]
1	175	25	28	0,58
2	200	75	56	1,01
3	225	60	66	1,06
4	250	60	84	1,21
5	250	120	106	1,53
6	250	150	113	1,63
7	250	200	151	2,17
8	300	100	133	1,60
9	300	150	146	1,75
10	300	200	153	1,84

4.9. Principio di funzionamento dello scambiatore entalpico

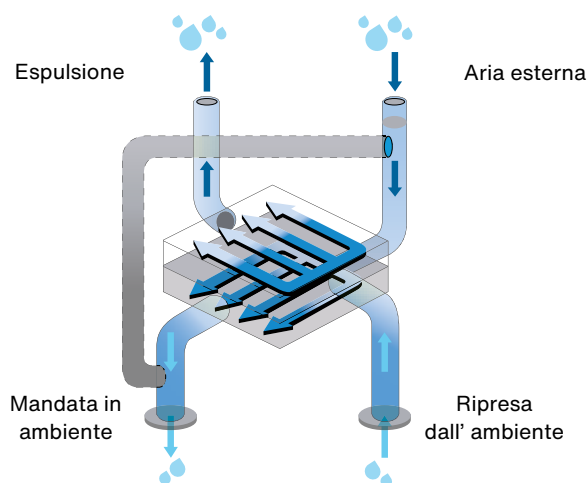


In inverno, l'aria calda e umida di cucine e bagni viene ripresa dall'ambiente domestico. Nello scambiatore, incontra l'aria fredda e molto secca esterna e le cede calore e parte dell'umidità aspirata.

L'aria esterna viene così immessa in ambiente a una temperatura e una umidità tali da mantenere il massimo comfort indoor, senza seccare troppo l'aria.

Lo scambiatore entalpico aiuta l'impianto di riscaldamento a mantenere la temperatura dell'aria ideale, anche nei climi più rigidi.

Funzionamento estivo



In estate, l'aria fresca e deumidificata viene ripresa dall'ambiente interno. Nello scambiatore, incontra l'aria calda e carica di umidità proveniente dall'esterno che viene pre-raffrescata e pre-deumidificata.

In questo modo, l'unità di ventilazione aiuta l'impianto attivo di raffreddamento e deumidificazione a mantenere il comfort indoor, con ridottissimi consumi energetici.

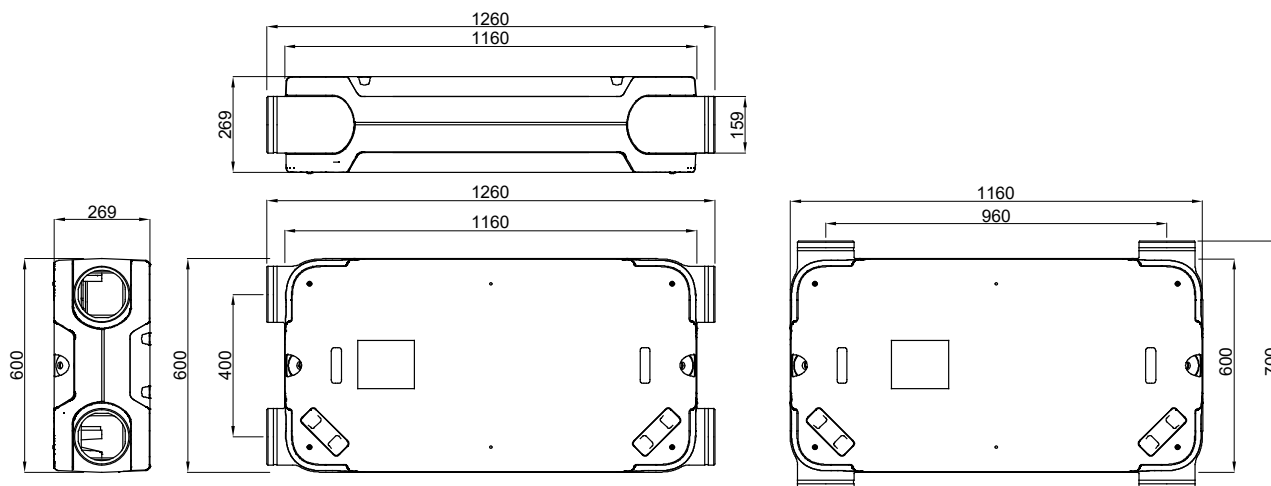
Lo scambiatore entalpico è l'ideale in caso di post-trattamento dell'aria, come deumidificazione abbinata al radiante in raffreddamento o in caso di ventilazione climatica.

4.10. Dati acustici

Livelli sonori									
Portata di riferimento	m ³ /h	90	150	200	300				
Prevalenza di riferimento	Pa	50	50	100	80	150	100	200	
Potenza sonora L _w (A)	Irradiazione unità	dB(A)	36	40	44	46	49	52	54
	Condotto di ripresa	dB(A)	38	42	46	47	50	54	56
	Condotto di mandata	dB(A)	53	55	60	61	64	67	69
Sound pressure L _p (A) at 1.5 m	Irradiazione unità	dB(A)	21	25	29	31	34	37	39

5. Installazione

5.1. Dimensioni



5.2. Valutazioni preliminari



Scollegare l'alimentazione elettrica prima di eseguire qualsiasi operazione di installazione o disinstallazione.



Accertarsi che l'unità non venga in contatto con acqua o schizzi di acqua.



Durante l'installazione, tenere lontani bambini e animali domestici dal luogo di installazione.



Assicurarsi che siano lasciati sufficienti spazi per la manutenzione intorno, davanti e/o sotto l'unità.

Per installare correttamente l'unità di ventilazione, senza danneggiarla, occorrono due persone.

Zehnder EVO 3 può essere fissata direttamente alla parete o al soffitto utilizzando le apposite staffe di fissaggio in dotazione. Per evitare vibrazioni, è necessario installare l'unità a una parete o un soffitto con massa minima di 200 kg/m²; non è sufficiente che essa sia una struttura in cemento o in metallo. In questo caso, saranno necessarie misure aggiuntive, come una armatura a doppia piastra o staffe aggiuntive.

L'unità deve essere installata a livello, in caso di installazione orizzontale, o in bolla, in caso di installazione verticale, per evitare vibrazioni e rumorosità dei ventilatori.

EN

DE

IT

FR

NL

ET

LT

LV

5.3. Installazione



Non installare in ambiente esterno. Verificare che nell'ambiente di installazione siano mantenute temperatura e umidità limite di esercizio.

L'unità di ventilazione può essere installata sia in orizzontale, staffata a soffitto, che in verticale, staffata a parete.

Se l'unità scelta è una EVO 3 HRV o EVO 3 HRV PR, nel luogo di installazione deve essere presente una rete efficiente di scarico condensa, con un sifone e una pendenza sufficiente, che sia sempre pervia e non soggetta a gelo, tale da garantire che lo scarico condensa avvenga sempre correttamente.



Assicurarsi che la pendenza dello scarico condensa non sia parallela all'unità o in contropendenza verso l'unità.

Nel caso in cui l'unità scelta sia EVO 3 ERV o EVO 3 ERV PR, lo scarico condensa non è necessario.

Il luogo di installazione deve assicurare i corretti spazi di manutenzione ordinaria (cambio filtri) e straordinaria (apertura dell'unità, estrazione e pulizia di scambiatore e ventilatori, ecc..)

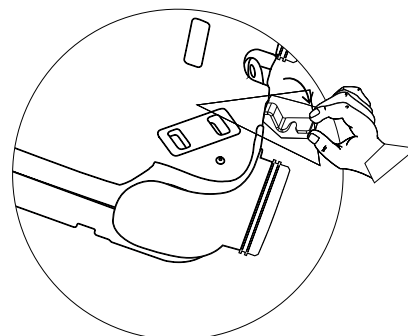
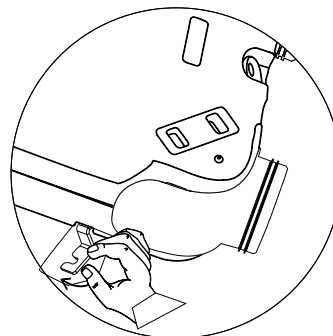


L'unità è progettata per l'installazione a parete o a soffitto. NON può essere installata a pavimento.

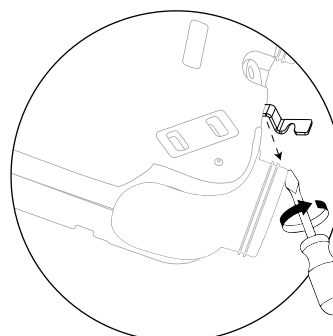
5.4. Installazione a soffitto

1. L'unità è fornita con staffe di installazione, contenute in un sacchetto di plastica separato all'interno dell'imballaggio dell'unità

- Posizionare le staffe di montaggio sul lato lungo o sul lato corto a seconda delle esigenze di installazione.

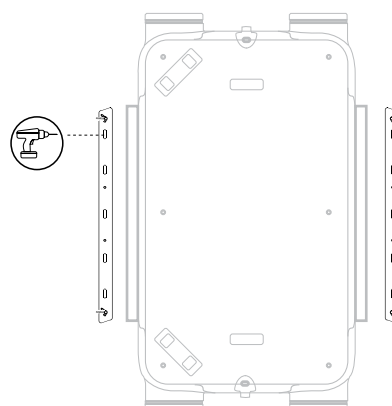


- Riavvitare le staffe nella nuova posizione.



2. Forare la superficie contrassegnata e avvitare le staffe di fissaggio nei fori ovali.

- Lato lungo:



EN

DE

IT

FR

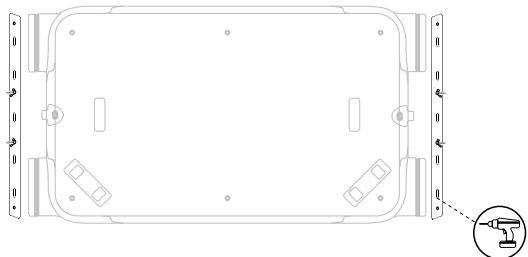
NL

ET

LT

LV

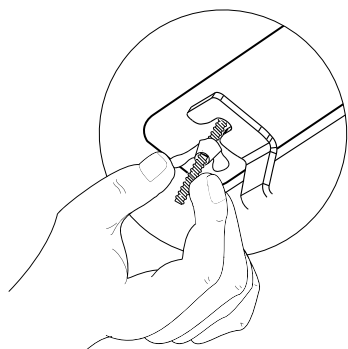
▪ Lato corto:



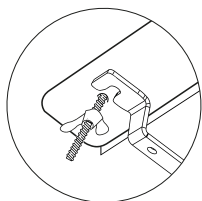
IMPORTANTE!

Le staffe devono essere distanziate 630 mm sui lati lunghi (versione standard) e 1.195 mm sui lati corti.

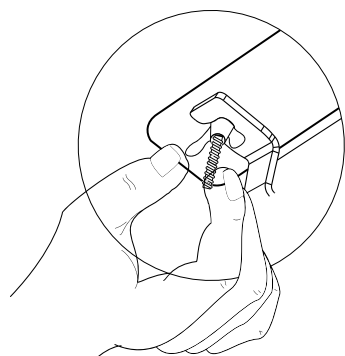
3. Allentare le viti a farfalla in modo da lasciare 1 cm sul filetto.



4. Posizionare l'unità sulla parte superiore della guida e farla scorrere fino a quando non si innesta nella barra filettata.



5. Riavvitare i dadi a farfalla, così da assicurare l'unità alla staffa.



5.5. Installazione a parete

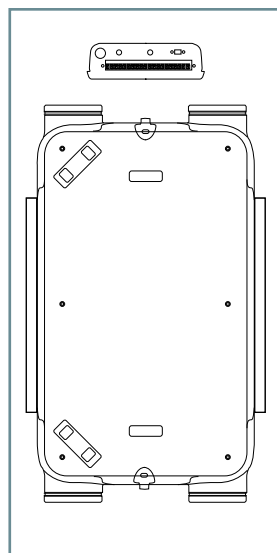


L'unità deve essere installata in bolla, in verticale, per garantire il corretto scarico della condensa.

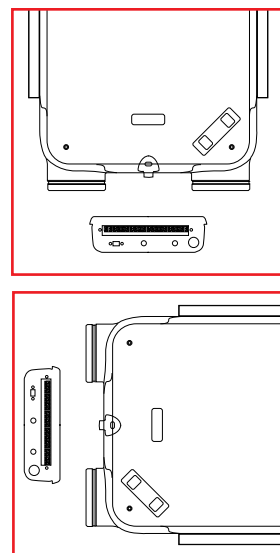


Installare SOLO con il connettore della scheda elettronica di controllo rivolto verso l'alto. Non è possibile installare l'unità sotto-sopra, con il connettore rivolto verso il basso.

Installazione corretta

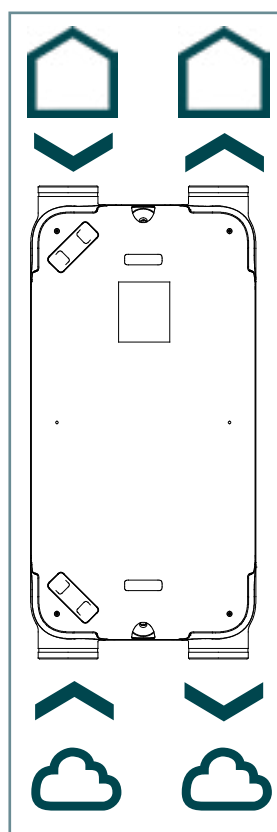


Installazioni NON corrette

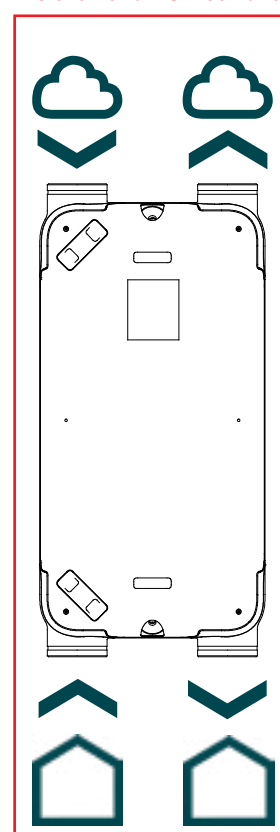


Installare l'unità con scambiatore sensibile HRV SOLO nella versione "mirror version", presa aria esterna ed espulsione rivolte verso il basso.

Installazione corretta



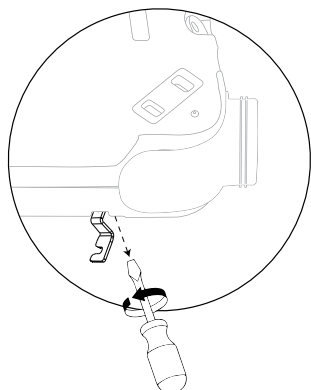
Installazione NON corretta



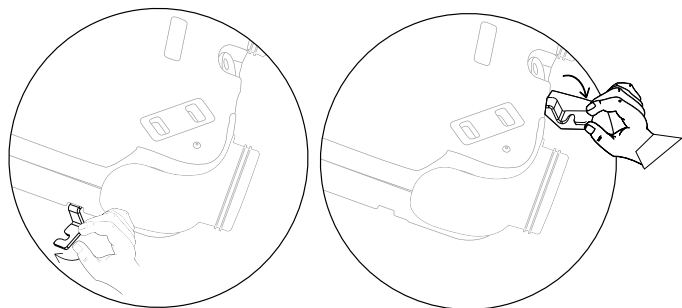
- EN
- DE
- IT**
- FR
- NL
- ET
- LT
- LV

1. L'unità viene fornita con le staffe di installazione premontate sul lato lungo. Per spostarle sul lato corto, eseguire queste operazioni.

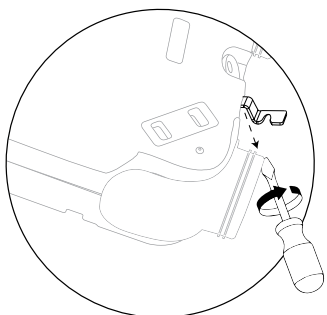
- Svitare le staffe.



- Spostare le staffe sul lato corto, mantenendo lo stesso orientamento.

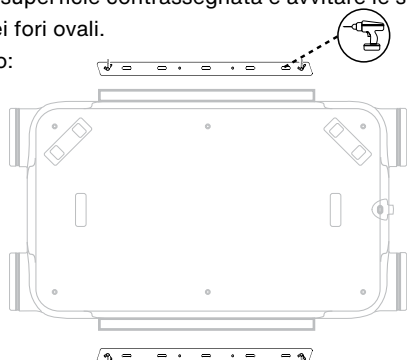


- Riavvitare le staffe nella nuova posizione.

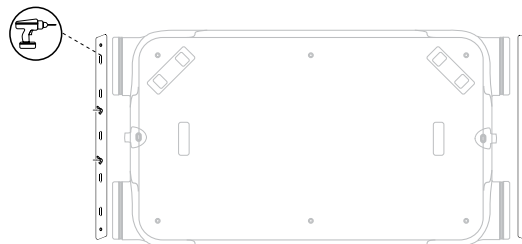


2. Forare la superficie contrassegnata e avvitare le staffe di fissaggio nei fori ovali.

- Lato lungo:



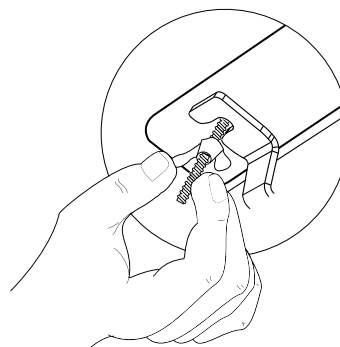
- Lato corto:



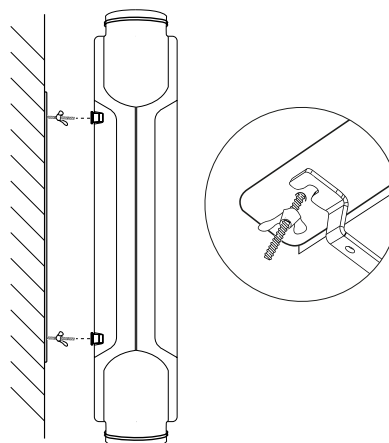
IMPORTANTE!

Le staffe devono essere distanziate 630 mm sui lati lunghi (versione standard) e 1.195 mm sui lati corti.

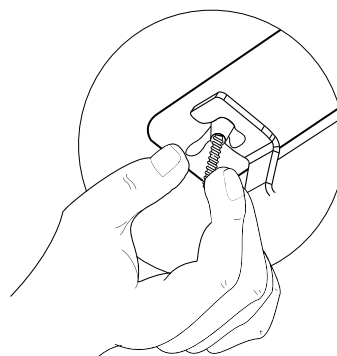
3. Allentare le viti a farfalla in modo da lasciare 1 cm sul filetto.



4. Posizionare l'unità sulla parte superiore della guida e farla scorrere fino a quando non si innesta nella barra filettata.



5. Riavvitare i dadi a farfalla, così da assicurare l'unità alla staffa.

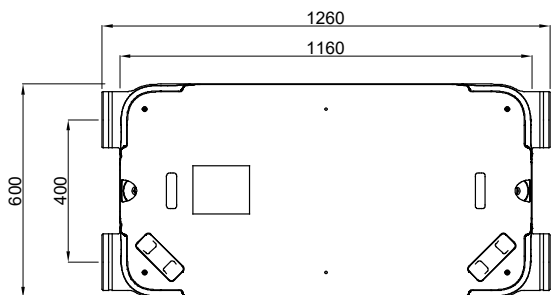


- EN
- DE
- IT**
- FR
- NL
- ET
- LT
- LV

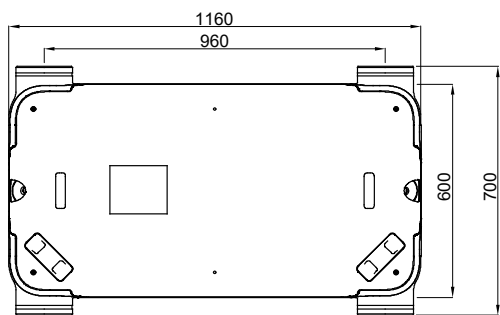
5.6. Orientamento connessioni

A seguito, viene mostrata la procedura per ruotare le bocche di connessione alla distribuzione.

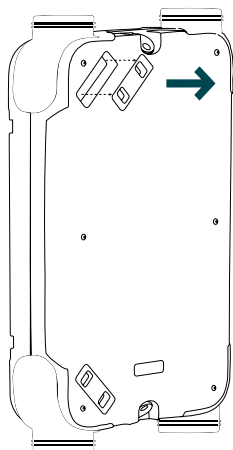
- Configurazione di fabbrica:



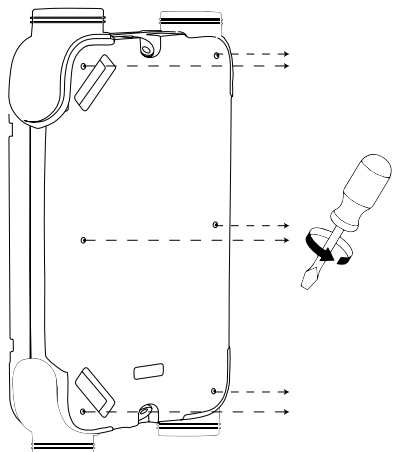
- Configurazione con le connessioni ruotate di 90°:



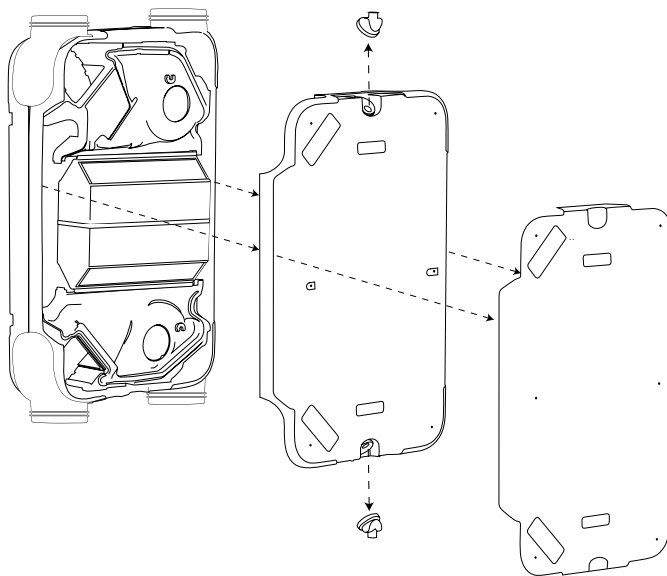
1. Rimuovere i tappi dei filtri



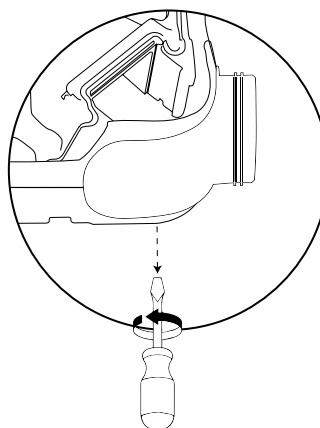
2. Svitare le viti esterne, posizionate sulla cover



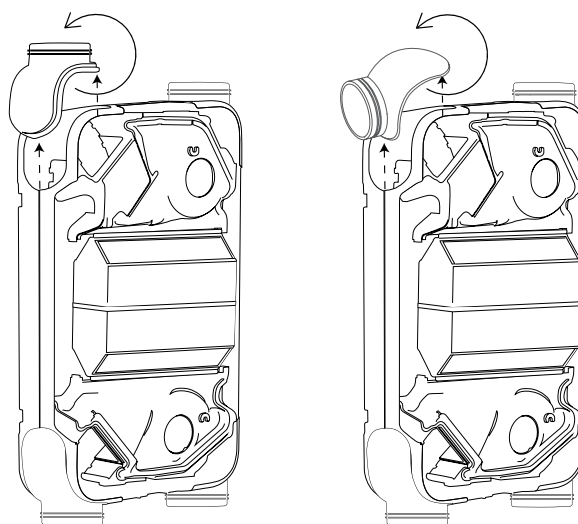
3. Rimuovere la cover metallica esterna e il polipropilene superiore, lasciando esposto l'interno dell'unità



4. Svitare le viti che trattengono le connessioni in EPP



5. Sollevare e ruotare le connessioni, ruotarle e riposizionarle nella loro sede



EN

DE

IT

FR

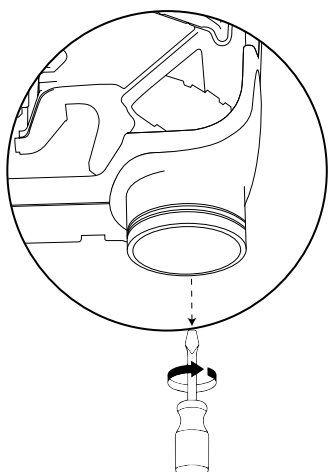
NL

ET

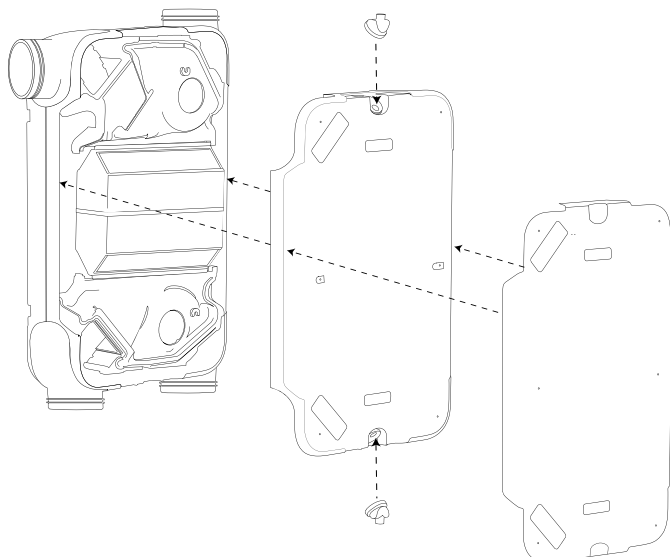
LT

LV

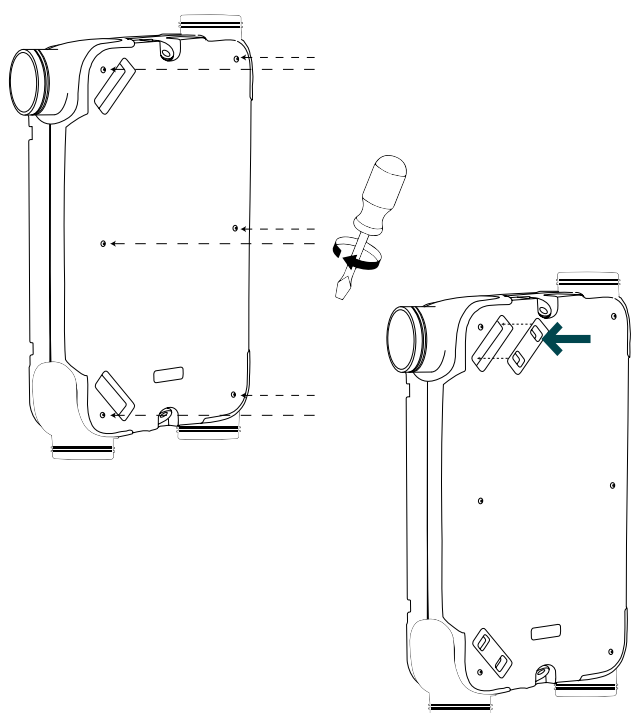
6. Riavvitare le viti delle connessioni



7. Riposizionare il polipropilene superiore e la cover metallica



8. Riavvitare le viti e riposizionare i tappi filtro



5.7. Connessione dello scarico condensa

Le unità Zehnder EVO 3 HRV e Zehnder EVO 3 HRV PR devono essere dotate di un sistema di scarico condensa.

Per le unità EVO 3 ERV e EVO 3 ERV PR non è necessario.

Avvitare il sifone filettato maschio da 1/2" (non incluso nella fornitura, deve essere ordinato separatamente) al raccordo di scarico condensa dell'unità.

Per una corretta manutenzione, installare il sifone in modo che possa essere smontato e ispezionato con facilità.

La connessione dello scarico condensa sull'unità può essere rivolto in orizzontale o verso il basso.

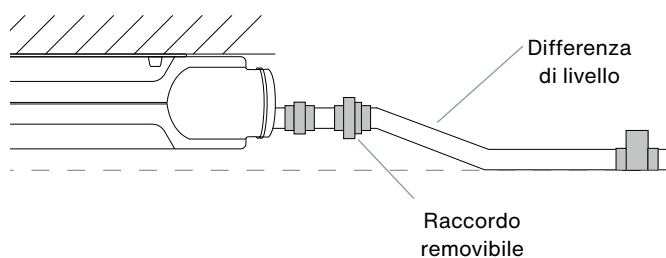


Assicurarsi che la pendenza dello scarico condensa non sia parallela all'unità o in contropendenza, verso l'unità.

Importante!

Nelle unità EVO HRV e EVO HRV PR viene collegato un solo scarico condensa, l'altro deve essere tappato. Nelle unità EVO ERV e EVO ERV PR entrambi gli scarichi condensa devono essere tappati. I tappi sono inclusi nella fornitura.

A seguire, come deve avvenire l'installazione dello scarico condensa per una unità EVO posizionata in orizzontale:



Se l'installazione è in orizzontale a soffitto, lo scarico condensa deve trovarsi al di sotto del livello dell'unità.

Attenzione!

La garanzia è valida se viene installato un sifone a secco originale Zehnder e se la rete di scarico condensa è eseguita in modo idoneo. In caso contrario, se si verifica un danno all'unità, Zehnder si ritiene esonerata da qualsiasi responsabilità.

EN

DE

IT

FR

NL

ET

LT

LV

6. Connessioni elettriche

La connessione alla rete elettrica deve avvenire secondo standard normativo.

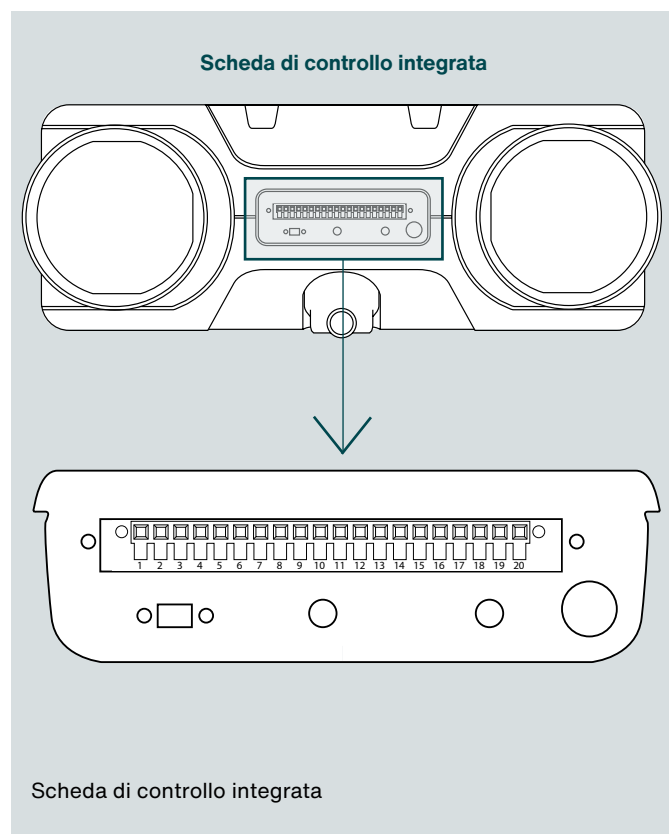
I ventilatori e la scheda elettronica funzionano con una tensione di alimentazione di 230V.



Durante tutti i lavori di intervento sull'unità, installazione o manutenzione, essa deve essere disconnessa dalla rete elettrica.

Colori identificativi dei cavi

Marrone	Fase
Blu	Neutro
Verde/giallo	Terra



Descrizione dei connettori		
Conn.	Descrizione	Scheda
PIN 1	Home automation - 10V	X-26
PIN 2	Home automation - 0V	X-26
PIN 3	Home automation - contatto pulito	X-25
PIN 4	Home automation - contatto pulito	X-25
PIN 5	Non utilizzato	-
PIN 6	Non utilizzato	-
PIN 7	Output post riscaldamento 10 V (*)	X-16
PIN 8	Output post riscaldamento 0 V (*)	X-16
PIN 9	"Mirror mode" NA/NC (*)	X-32
PIN 10	"Mirror mode" NA/NC (*)	X-32
PIN 11	Non utilizzato	-
PIN 12	Comune selettore V1	X-510
PIN 13	Selettore V2	X-510
PIN 14	Selettore V3	X-510
PIN 15	Output pre riscaldamento 230 V (**)	X-17
PIN 16	Output pre riscaldamento terra (**)	X-17
PIN 17	Output pre riscaldamento neutro (**)	X-17
PIN 18	Non utilizzato	X-28
PIN 19	Non utilizzato	X-28
PIN 20	Non utilizzato	X-28

(*) Pin non usati nei modelli Zehnder EVO 3 HRV PR e Zehnder EVO 3 ERV PR

(**) Nei modelli con preriscaldamento incluso come standard, questi pin sono utilizzati per il post-riscaldamento (opzionale) e non per il pre-riscaldamento.

EN

DE

IT

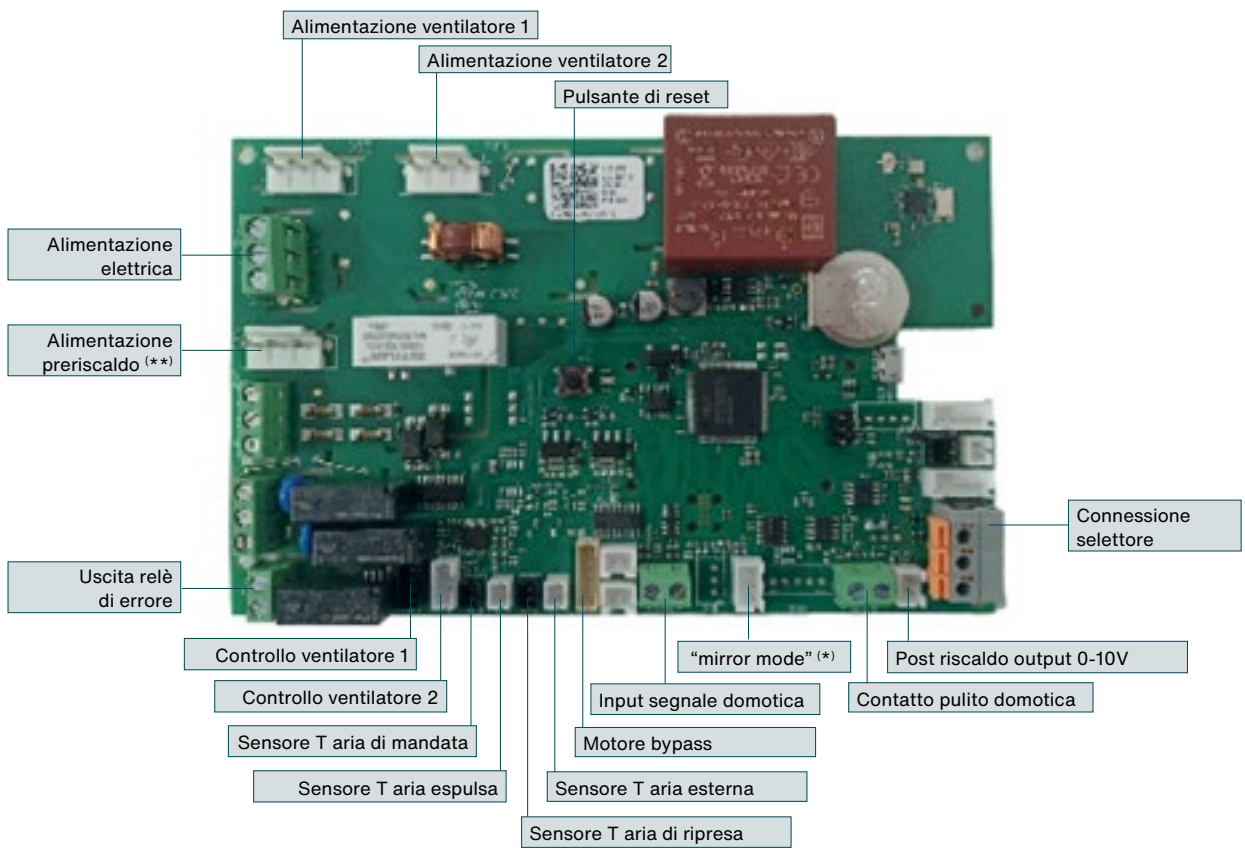
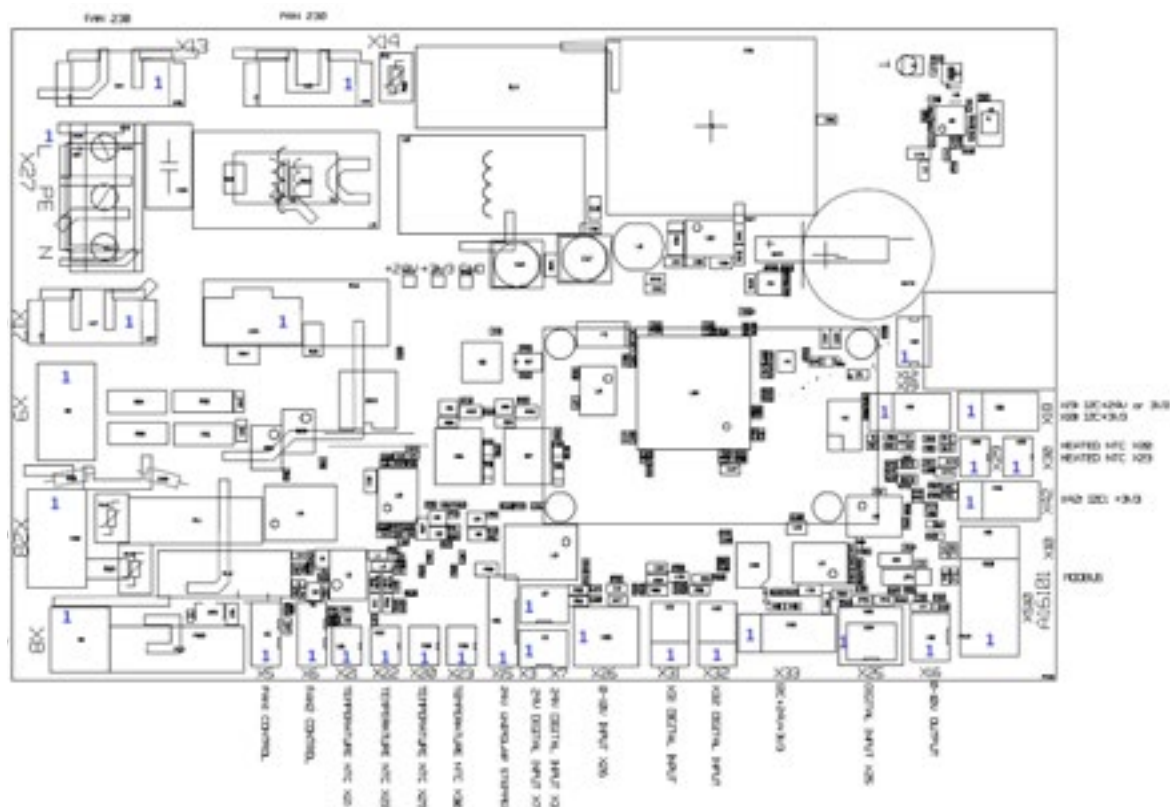
FR

NL

ET

LT

LV



(*) Non utilizzato nei modelli Zehnder EVO 3 HRV PR e EVO 3 ERV PR.

(**) Nei modelli Zehnder EVO 3 HRV PR e EVO 3 ERV PR viene utilizzato per il post riscaldamento.

- EN
- DE
- IT
- FR
- NL
- ET
- LT
- LV

7. Controlli e connettività

Le unità della serie Zehnder EVO possono essere supervisionate e controllate in vari modi. A seguire, un elenco degli accessori disponibili.



7.1. Zehnder Multi Control

Le unità Zehnder EVO possono essere controllate tramite Zehnder Multi Control, e, di conseguenza, abbinare ai sistemi di post-trattamento Zehnder ComfoDew o Zehnder ComfoPost.

L'unità di ventilazione usa come velocità di base la minima, Multi Control, tramite i relè in esso contenuti, attiva la seconda e la terza velocità quando desiderato o necessario per soddisfare le esigenze di post trattamento.

Tramite Multi Control è possibile selezionare la modalità di funzionamento manuale o automatica, redigere programmi orari settimanali, visualizzare l'allarme di cambio filtro.



Se, oltre al Multi Control, è collegato un altro comando per la supervisione e il controllo dell'unità, come Zehnder EVO Sense, esso deve essere lasciato sempre in modalità manuale e alla velocità 1. In caso contrario, Multi Control non funzionerà correttamente.



Zehnder Multi Control può essere connesso all'app "Zehnder Multi Controller", che supervisiona e controlla l'unità di ventilazione, le zone termiche, la centrale termica.

7.2. Zehnder EVO Sense wireless



Il comando intelligente wireless EVO Sense comunica tramite RF (radiofrequenza) con l'unità di ventilazione e permette di selezionare cinque diverse portate. Permette inoltre la redazione di programmi orari giornalieri e settimanali, e la selezione della modalità di funzionamento automatica.

È un'interfaccia utente e di installazione per la supervisione e la configurazione dell'unità di ventilazione collegata.

7.3. Zehnder EVO Switch RF



Il comando a pulsante wireless a 4 posizioni EVO Switch comunica tramite RF (radiofrequenza) con l'unità di ventilazione e può scegliere tra quattro diverse modalità di funzionamento. Ha un indicatore di allarme cambio filtro.

7.4. Sensore CO₂ RF



Il sensore wireless di CO₂ rileva il livello di anidride carbonica nell'aria all'interno dell'ambiente in cui è posizionato, inviando le sue misurazioni tramite RF (radiofrequenza) all'unità Zehnder EVO. L'unità varia di conseguenza la sua portata, scegliendo il livello appropriato per garantire la qualità dell'aria interna in base alle informazioni trasmesse del sensore.

7.5. Sensore di umidità RF



Il sensore wireless rileva l'umidità relativa nell'aria all'interno dell'ambiente in cui è posizionato, inviando le sue misurazioni tramite RF (radiofrequenza) all'unità Zehnder EVO. L'unità varia di conseguenza la portata di ventilazione, scegliendo il livello appropriato per garantire la qualità dell'aria interna in base alle informazioni trasmesse dal sensore.

EN

DE

IT

FR

NL

ET

LT

LV

7.6. Smart connectivity

Puoi trasformare la tua casa in una “Smart home” utilizzando vari metodi di interfaccia:

- EVO Connect ModBus;
- EVO Connect ModBus-KNX.

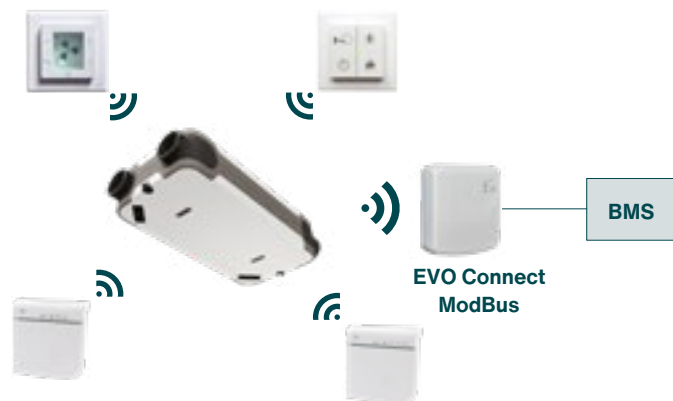
7.6.1. EVO Connect ModBus

Il dispositivo “EVO Connect ModBus” si collega via cavo al sistema di gestione dell'edificio (BMS) e, tramite linguaggio ModBus, consente la lettura e la scrittura dei dati relativi all'unità di ventilazione EVO e dei sensori (umidità/CO₂) e controlli wireless (EVO Sense/EVO Switch) compatibili eventualmente collegati.

La comunicazione con l'unità EVO avviene via RF.



EVO Connect ModBus - KNX richiede alimentazione a 24 VAC/DC per funzionare correttamente.



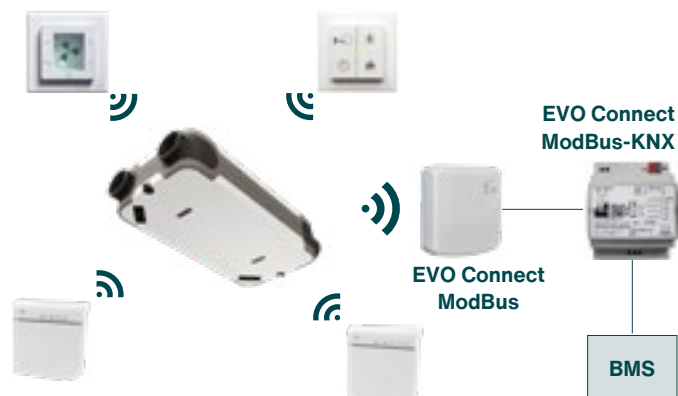
7.6.2. EVO Connect ModBus - KNX

Il dispositivo “EVO Connect ModBus - KNX” è un convertitore ModBus/KNX che deve essere collegato via cavo al gateway EVO Connect ModBus, per tradurre le informazioni raccolte dal gateway e inviarle via cavo al BMS.

Raccoglie le informazioni dalle unità EVO e dai sensori (umidità/CO₂) e controlli wireless (EVO Sense/EVO Switch) compatibili eventualmente collegati.



EVO Connect ModBus - KNX richiede alimentazione a 24 VAC/DC per funzionare correttamente.



EN

DE

IT

FR

NL

ET

LT

LV

8. Messa in funzione

L'unità di ventilazione può essere messa in funzione dopo l'installazione. Procedere come segue.

- Leggere fino in fondo le istruzioni per la messa in funzione prima di iniziare.
- Chiudere tutte le finestre e le porte esterne e interne.
- Controllare che tutte le valvole siano montate correttamente e aprirle il più possibile.
- Assicurarsi che tutti i filtri dell'unità di ventilazione e delle valvole siano come nuovi. I filtri sporchi possono falsare il risultato della messa in funzione.
- Impostare l'unità di ventilazione sul livello di ventilazione 3. La modalità automatica non deve essere attivata.
- Controllare che le fessure sotto le porte o le griglie di transito siano liberi e che lascino fluire liberamente l'aria. Questi devono restare tali anche durante il successivo funzionamento dell'unità di ventilazione.
- Iniziare a regolare le valvole, partendo dalla valvola più sfavorita in termini di flusso (di solito la valvola più lontana dall'unità di ventilazione). Utilizzare uno strumento di misura tarato per impostare la portata nominale desiderata su ogni valvola.
- Per ridurre al minimo il consumo energetico, assicurarsi che una valvola dell'aria di mandata e una dell'aria di ripresa rimangano aperte il più possibile.
- Ripetere la regolazione della portata volumetrica finché tutte le valvole risultino tarate alla portata desiderata.
- Se non è possibile bilanciare la portata d'aria con le velocità preimpostate, è possibile regolare il numero di giri del ventilatore nelle singole portate.

9. Funzionamento

L'unità viene consegnata pronta per essere collegata all'alimentazione elettrica e funziona in modo completamente automatico. L'aria viziata estratta dall'interno trasferisce l'energia termica all'aria di rinnovo proveniente dall'esterno. L'aria fresca e pulita viene immessa nell'abitazione a una temperatura pre-condizionata, fresca in estate e calda in inverno, consentendo un importante risparmio energetico.

A seconda del tipo di controllo utilizzato, possono essere presenti fino a cinque portate di ventilazione.

La regolazione dell'unità è a portata costante, cioè il flusso d'aria di mandata e di estrazione viene ottenuto indipendentemente dalla perdita di pressione del condotto.

9.1. Funzionamento del bypass

Il bypass di serie consente di immettere aria dall'esterno direttamente, passando attraverso il filtro ma non attraverso lo scambiatore di calore, sfruttando così le temperature favorevoli che possono verificarsi in determinati momenti all'esterno, come durante le notti estive quando è preferibile far entrare aria fresca per ridurre gratuitamente la temperatura all'interno dell'abitazione (free-cooling). La valvola di bypass si attiva automaticamente quando si verificano determinate condizioni, come da tabella sottostante.

Funzionamento del bypass	
Bypass aperto	<ul style="list-style-type: none"> ▪ La temperatura esterna è superiore a 10°C. ▪ In estate, la temperatura esterna è di 3°C inferiore alla temperatura dell'aria estratta dalla casa e inferiore alla temperatura di comfort. ▪ In inverno, la temperatura esterna è di 3°C superiore alla temperatura dell'aria estratta dalla casa e superiore alla temperatura di comfort.
Bypass chiuso	<ul style="list-style-type: none"> ▪ La temperatura esterna è inferiore a 10°C. ▪ In estate, la temperatura esterna è superiore alla temperatura dell'aria estratta dalla casa e superiore alla temperatura di comfort. ▪ In inverno, la temperatura esterna è inferiore alla temperatura dell'aria estratta dalla casa e inferiore alla temperatura di comfort.
<p>ATTENZIONE!</p> <p>L'unità Zehnder EVO rileva automaticamente la stagione corrente.</p>	

9.2. Sicurezza antigelo

Per evitare la formazione di ghiaccio sullo scambiatore di calore quando ci sono temperature esterne molto basse, Zehnder EVO è dotata di una protezione di sicurezza antigelo.

I sensori misurano le temperature nello scambiatore di calore e, se necessario, i ventilatori mettono in atto uno squilibrio progressivo dei flussi.

Quando vengono raggiunti -2°C nei modelli senza preriscaldamento Zehnder EVO 3 HRV e Zehnder EVO 3 ERV, o -16°C nei modelli con preriscaldamento Zehnder EVO 3 HRV PR e Zehnder EVO 3 ERV PR, l'unità si ferma per prevenire danni allo scambiatore, verificando ogni ora se la temperatura è di nuovo idonea al funzionamento.

EN

DE

IT

FR

NL

ET

LT

LV

10. Procedura di manutenzione



Eseguire regolarmente tutte le procedure di manutenzione preventiva elencate in questo capitolo. Se gli interventi di manutenzione preventiva non vengono eseguiti regolarmente, le prestazioni dell'impianto di ventilazione risulteranno compromesse.



Prima di iniziare la manutenzione, lasciar funzionare l'unità di ventilazione al livello 3 per almeno due minuti per rimuovere la condensa dallo scambiatore di calore.



Se è necessario sostituire un componente, ordinare un pezzo di ricambio originale da Zehnder e far eseguire l'intervento solo ed esclusivamente da un Centro di Assistenza Tecnica autorizzato Zehnder.



Gli interventi di manutenzione, ad eccezione della sostituzione dei filtri, devono essere eseguiti esclusivamente da personale specializzato.



Prima di iniziare i lavori di manutenzione, scollegare sempre l'unità di ventilazione dall'alimentazione elettrica, se non diversamente specificato. Se essa viene fatta funzionare aperta, vi è un concreto rischio di lesioni personali. Assicurarsi che essa non possa essere accesa accidentalmente.



Adottare sempre misure per prevenire le scariche elettrostatiche quando si lavora con l'elettronica, poichè l'elettricità elettrostatica può danneggiarla irreparabilmente.

10.1. Manutenzione dei filtri dell'aria

Questa manutenzione può essere eseguita dall'utente.

Si raccomanda di controllare i filtri ogni tre mesi. Se è evidente la presenza di sporcizia grossolana (insetti, piccole componenti vegetali, ecc.) è possibile aspirarli e riposizionarli a bordo dell'unità.

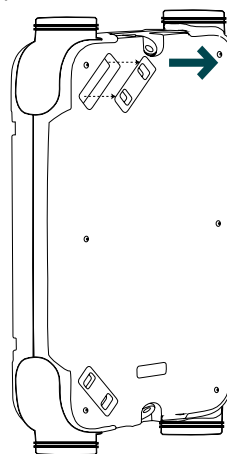
I filtri devono essere sostituiti almeno ogni sei mesi. Procurarsi preventivamente dei filtri di ricambio, avendo cura di verificare che si tratti di filtri originali Zehnder.

ATTENZIONE!

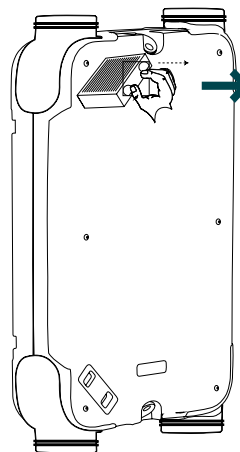
L'unità Zehnder EVO non deve mai essere messa in funzione senza filtri.

1. Se presente un comando remoto EVO Sense, iniziare la procedura di sostituzione del filtro sul comando. In alternativa, spegnere l'unità. Se l'unità è collegata a un comando EVO Switch o Multi Control, ricordarsi di azzerare l'allarme di cambio filtro una volta terminata la procedura.

2. Rimuovere i tappi dei vani filtro.



3. Estrarre delicatamente i filtri sporchi utilizzando le apposite alette. Se i filtri sono differenti, prendere nota della loro posizione: il filtro ISO ePM1 è posizionato sulla presa aria esterna, mentre il filtro ISO Coarse è posizionato sulla ripresa dall'ambiente.



EN

DE

IT

FR

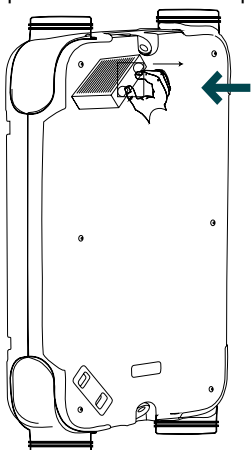
NL

ET

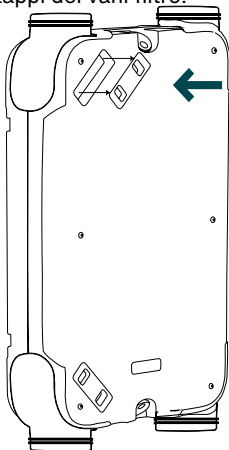
LT

LV

4. Riposizionare i filtri negli appositi vani, rispettando l'orientamento e le posizioni riscontrate al punto 3.



5. Riposizionare i tappi dei vani filtro.



6. Terminare la procedura di cambio filtri o riaccendere l'unità.



In occasione del cambio filtri dell'unità, procedere alla pulizia dei filtri posizionati sulle griglie o valvole interne e delle griglie di presa aria esterna ed espulsione.



Smaltire il filtro sporco nel contenitore dei rifiuti indifferenziati (residuo).

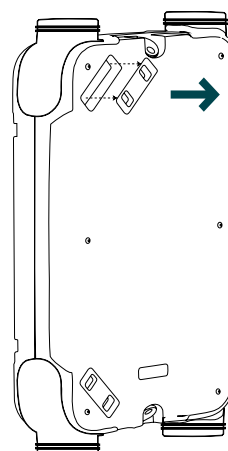
10.2. Pulizia dell'unità di ventilazione

Si raccomanda l'ispezione e la pulizia tutte le componenti interne dell'unità EVO (scambiatore di calore, ventilatori ecc.) ogni due anni.

ATTENZIONE!

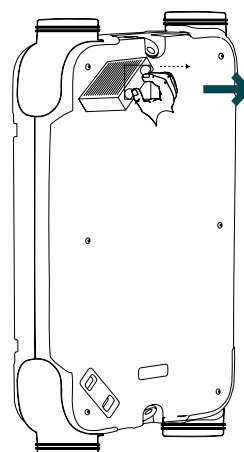
Questa manutenzione deve essere effettuata solo da un tecnico qualificato e autorizzato Zehnder. Contattare il Centro di Assistenza Tecnica più vicino

1. Scollegare l'unità dall'alimentazione elettrica.



2. Rimuovere i tappi dei vani filtro.

3. Estrarre delicatamente i filtri utilizzando le apposite alette. Se i filtri sono differenti, prendere nota della loro posizione: il filtro ISO ePM1 è posizionato sulla presa aria esterna, mentre il filtro ISO Coarse è posizionato sulla ripresa dall'ambiente.



EN

DE

IT

FR

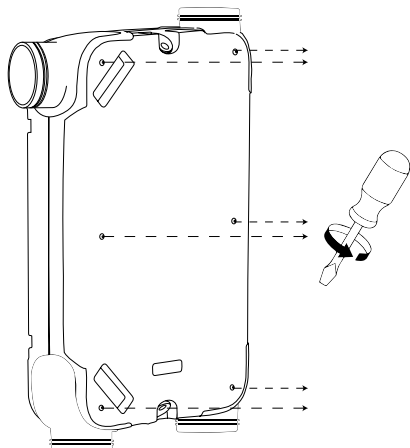
NL

ET

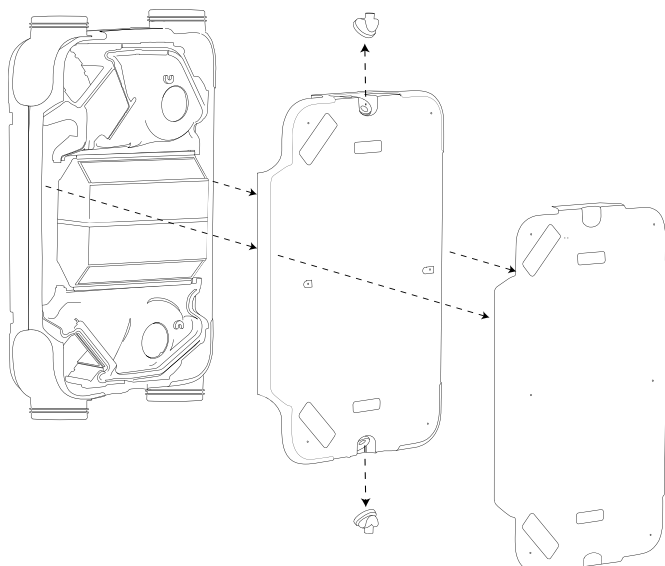
LT

LV

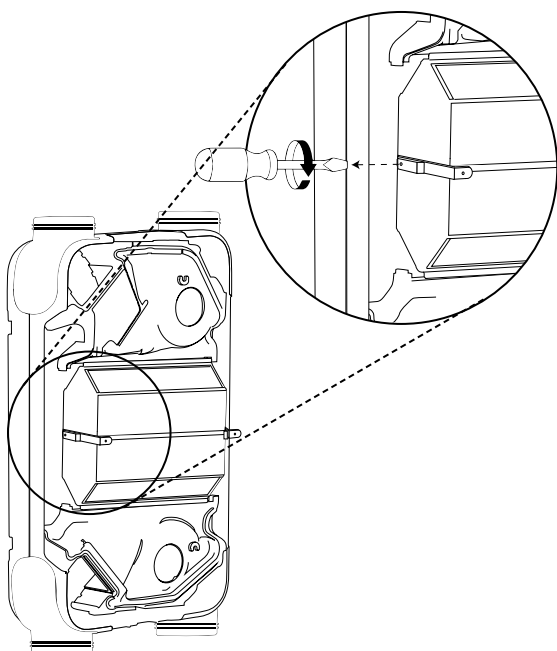
4. Rimuovere le viti della cover metallica esterna



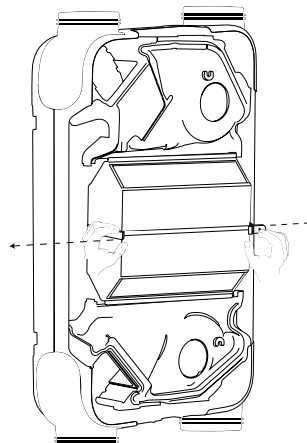
5. Rimuovere la cover metallica e la copertura in polipropilene, lasciando esposto scambiatore, ventilatori, canale di bypass.



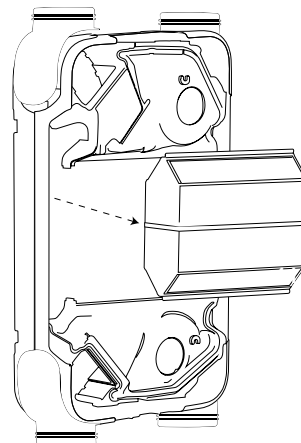
6. Svitare e rimuovere la staffa di supporto a sinistra



7. Separare le staffe che trattengono lo scambiatore, così da poterlo rimuovere

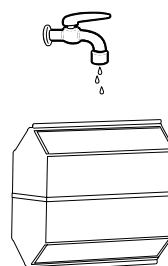


8. Rimuovere lo scambiatore



Rimuovere lo scambiatore con particolare cura. Una piccola quantità di condensa potrebbe essere presente nello scambiatore.

9. Pulire lo scambiatore con acqua corrente



10. Controllare che l'interno visibile dell'unità sia pulito: vano scambiatore, canale di bypass, elementi in polipropilene. Se necessario, procedere alla pulizia, eseguita con un panno morbido.

11. Pulire le ventole con un aspiratore dotato di spazzola, e controllare che non siano danneggiate. Se lo sono, sostituirle.

EN

DE

IT

FR

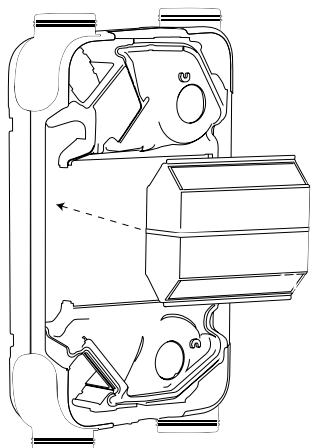
NL

ET

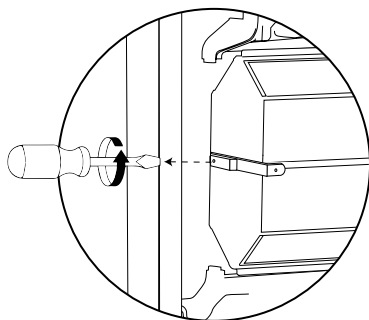
LT

LV

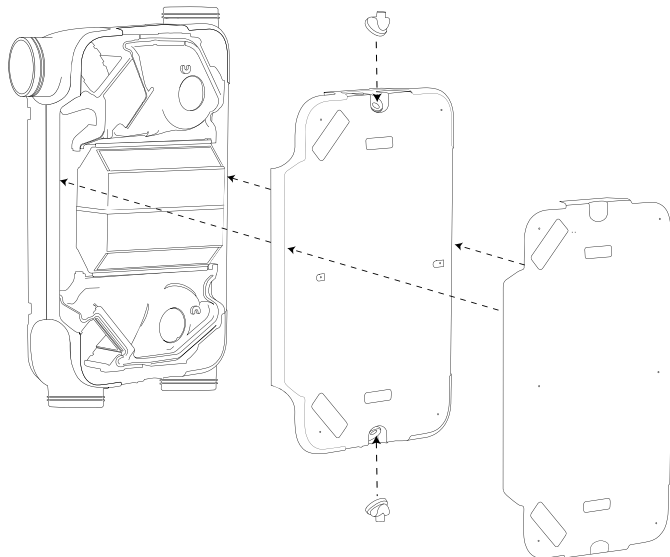
12. Una volta terminate le operazioni di pulizia, rimontare l'unità.



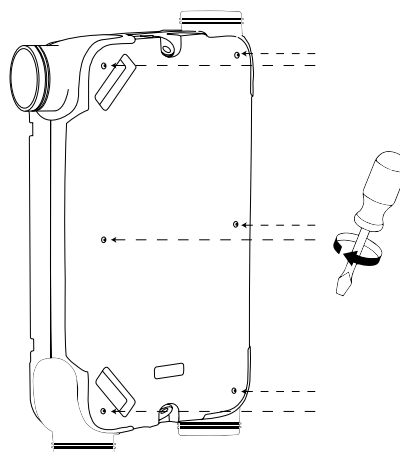
13. Riposizionare lo scambiatore nel suo vano



14. Riposizionare il supporto di sinistra e riavvitare la vite

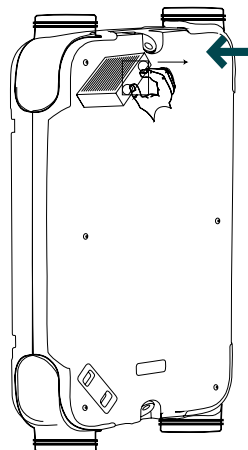


15. Riposizionare la cover in polipropilene e la cover metallica.

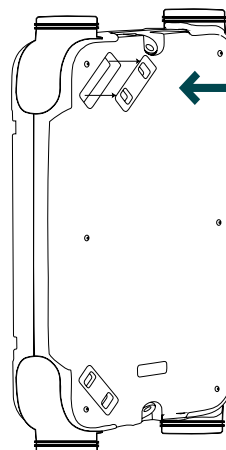


16. Riavvitare le viti sulla cover metallica.

17. Riposizionare i filtri negli appositi vani, rispettando l'orientamento e le posizioni riscontrate al punto 3



18. Riposizionare le cover dei filtri



Accertarsi che la cover in polipropilene superiore combaci perfettamente con la parte inferiore e che non rimangano fessure sui lati. In caso contrario, controllare che i cavi siano correttamente posizionati nelle apposite scanalature passacavo.

EN

DE

IT

FR

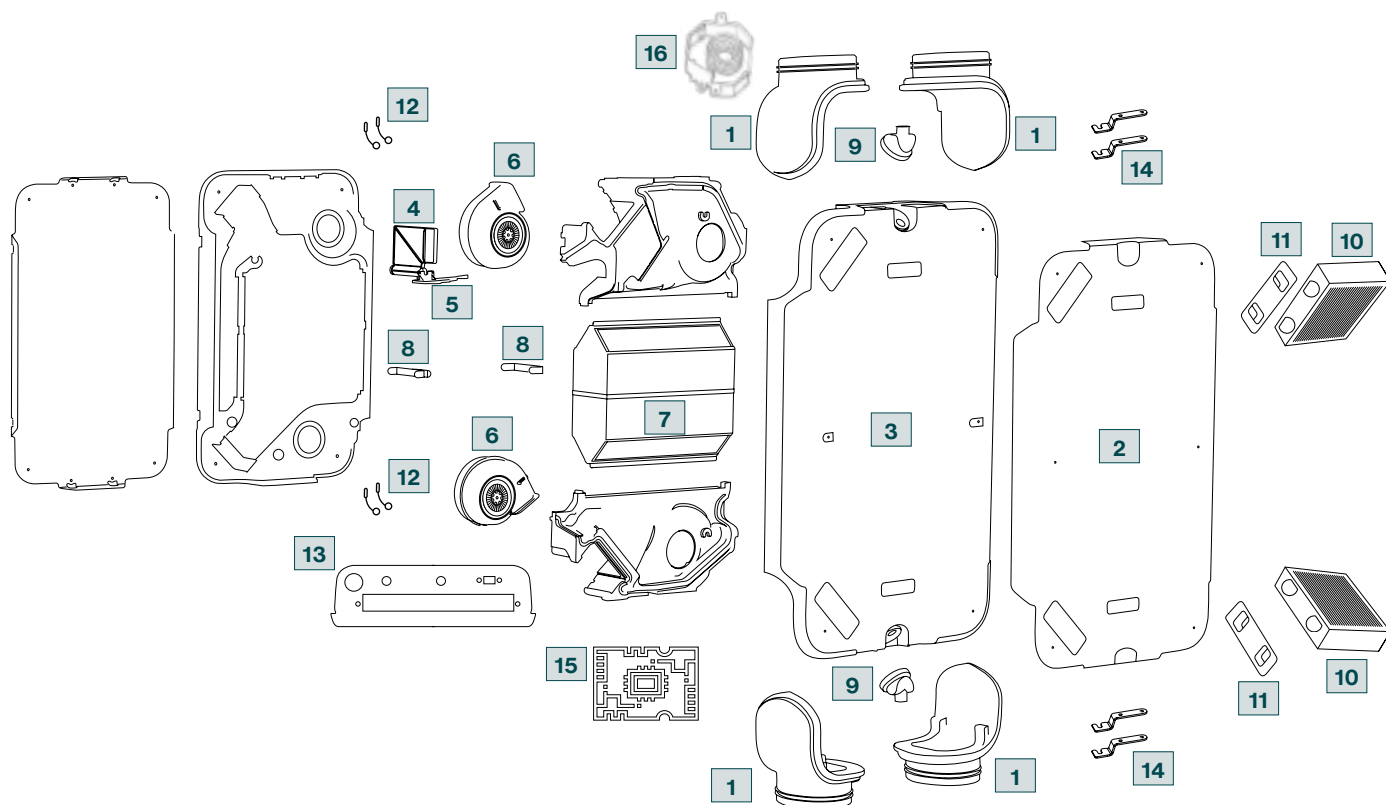
NL

ET

LT

LV

11. Panoramica dell'unità e descrizione delle componenti



N°	Descrizione componente	n° pezzi
1	Raccordi orientabili	4 pezzi
2	Cover frontale	1 pezzo
3	Polipropilene di copertura di ventilatori, scambiatore, elettronica	1 pezzo
4	Valvola di bypass	1 pezzo
5	Motore valvola di bypass	1 pezzo
6	Ventilatori ad alta efficienza	2 pezzi
7	Scambiatore ad alta efficienza di recupero dell'energia	1 pezzo
8	Staffe di fissaggio scambiatore	2 pezzi
9	Scarico condensa orientabile	2 pezzi
10	Filtri ad alte prestazioni	2 pezzi
11	Cover filtri	2 pezzi
12	Sensore di temperatura	4 pezzi
13	Scheda di connessione	1 pezzo
14	Blocco silenziato	4 pezzi
15	Scheda elettronica	1 pezzo
16	Preriscaldamento (*)	1 pezzo

(*) Incluso solo nei modelli Zehnder EVO 3 HRV PR e Zehnder EVO 3 ERV PR.

EN

DE

IT

FR

NL

ET

LT

LV

1.	Table des matières	
1.	Introduction	3
1.1.	Utilisation de l'unité Zehnder EVO 3	3
1.2.	Conditions de garantie	3
2.	Présentation et sécurité	3
2.1.	Introduction	3
2.2.	Sécurité	4
2.3.	Conditions d'installation	4
2.4.	Règles d'utilisation dans les pièces dotées d'une cheminée ouverte	5
2.5.	Conformité	5
3.	Transport et livraison	5
3.1.	Consignes de transport en toute sécurité	5
3.2.	Vérifiez les articles fournis	5
3.3.	Déballage de l'unité de ventilation	6
4.	Caractéristiques de l'unité EVO 3	6
4.1.	Raccordements	6
4.2.	Modification du modèle permettant de passer de la « version d'usine » à la « version miroir »	7
4.3.	Schéma éclaté de l'unité	7
4.4.	Caractéristiques techniques	8
4.5.	Modèles à préchauffeur électrique EVO 3 HRV PR et EVO 3 ERV PR	8
4.6.	Classes d'efficacité énergétique	8
4.7.	Courbes de performances	9
4.8.	Points de fonctionnements	9
4.9.	Principe de fonctionnement de l'échangeur de chaleur enthalpique	9
4.10.	Données acoustiques	10
5.	Installation	10
5.1.	Dimensions	10
5.2.	Évaluations préliminaires	10
5.3.	Installation	11
5.4.	Montage au plafond	11
5.5.	Montage en applique murale	12
5.6.	Positionnement des raccords	14
5.7.	Raccordement au purgeur de condensats	15
6.	Connexions électriques	16
7.	Dispositifs de commande et connectivité	18
7.1.	Dispositif Zehnder Multi Control	18
7.2.	Dispositif Zehnder EVO Sense sans fil	18
7.3.	Dispositif Zehnder EVO Switch RF	18
7.4.	Capteur de CO ₂ RF	18
7.5.	Capteur d'humidité RF	18
7.6.	Connectivité intelligente	19
7.6.1.	EVO Connect ModBus	19
7.6.2.	EVO Connect ModBus-KNX	19
8.	Mise en service	20
9.	Fonctionnement	20
9.1.	Fonctionnement de la dérivation	20
9.2.	Dispositif de protection contre le gel	20
10.	Procédure de maintenance	21
10.1.	Maintenance des filtres à air	21
10.2.	Nettoyage de l'unité de ventilation	22
11.	Vue d'ensemble de l'unité et description des composants	25

EN

DE

IT

FR

NL

ET

LT

LV

1. Introduction

Avertissement !



Lisez attentivement ce manuel avant toute installation et mise en service.

Ce document procure une assistance à l'installation, à la mise en service et à la maintenance optimales en toute sécurité de l'unité de ventilation mécanique contrôlée Zehnder EVO 3.

Le Zehnder EVO 3 est également susceptible d'être désigné ci-après par l'expression « unité de ventilation ».

Comme le développement et l'amélioration de nos produits se poursuivent sans relâche, l'unité dont vous disposez est susceptible de différer des descriptions fournies dans ce document. La dernière édition du manuel d'installation est téléchargeable à partir du site Web de Zehnder.

Pictogrammes utilisés :

Pictogramme	Signification
	Remarque importante
	Risque d'endommagement du système ou de dégradation des performances
	Risque de lésion corporelle

! ? Questions

Veuillez contacter le siège de Zehnder pour toute question, pour accéder aux dernières versions des manuels et pour obtenir des informations concernant les centres d'assistance technique.

Coordonnées :

Zehnder Group Belgium nv/sa

Wayenborgstraat 21 - 2800 Malines
Belgium
info@zehnder.be - www.zehnder.be

Zehnder Group France

3 rue du Bois Briard Courcouronnes
91080 Evry Courcouronnes
www.zehnder.fr

1.1. Utilisation de l'unité Zehnder EVO 3

- L'exploitation de l'unité de ventilation et de tout dispositif de régulation éventuel n'est envisageable que si leur installation s'est effectuée en conformité avec les réglementations nationales et locales en vigueur ainsi qu'avec les consignes énoncées dans ce manuel et le manuel de régulation.
- L'usage de cette unité et du dispositif de régulation ne peut être confié à des personnes (enfants inclus) dont les aptitudes physiques, sensorielles ou mentales sont réduites ou qui ne possèdent ni l'expérience ni les compétences requises, sauf supervision par une personne responsable et assimilation des consignes indispensables pour garantir une utilisation en toute sécurité.
- Les enfants doivent impérativement s'abstenir de jouer avec l'unité de ventilation.
- Les enfants doivent impérativement s'abstenir d'exécuter, sans surveillance, toute procédure sur l'unité de ventilation.

1.2. Conditions de garantie

L'unité de ventilation est couverte par une garantie fabricant d'une durée de 24 mois à compter de son installation ou de 30 mois au maximum à compter de sa date de production. Les droits à la garantie ne peuvent être exercés que pour des défauts matériels et/ou de conception relevés pendant la période de garantie.

Si l'exécution de travaux sous garantie s'impose, l'unité de ventilation ne peut être ni ouverte ni démontée sans l'autorisation écrite du fabricant. La garantie ne couvre que les réparations et les pièces indispensables à l'exécution des travaux effectués par un centre d'assistance technique agréé qui n'a recours qu'à des pièces de rechange d'origine Zehnder.

La garantie devient nulle et non avenue dans les cas suivants :

- Expiration de la période de garantie.
- Utilisation de l'unité de ventilation sans filtre Zehnder d'origine ou sans grille murale extérieure.
- Utilisation de pièces d'une autre origine que Zehnder.
- Apport de modifications ou de changements non autorisés à cette unité de ventilation.
- Défauts dus à une installation incorrecte, à un usage impropre ou à une piètre maintenance du système.

2. Présentation et sécurité

2.1. Introduction

L'unité Zehnder EVO 3 de ventilation mécanique contrôlée à récupération de chaleur est conçue pour assurer un renouvellement d'air constant et économe en énergie dans les appartements, maisons et petits immeubles. L'unité de ventilation extrait l'air humide et vicié de pièces telles que les cuisines et salles de bains et assure simultanément le maintien d'un débit constant d'air frais dans des lieux de séjour tels que les salons, chambres à coucher, etc. L'air passe à travers les interstices ménagés sous les portes ou à travers des grilles de transit spéciales munies de silencieux.

Le système de ventilation mécanique contrôlée comprend les éléments suivants :

- unité de ventilation
- conduits d'admission d'air extérieur et de refoulement de l'air extrait par l'unité
- conduits secondaires de circulation de l'air frais et de l'air extrait des différentes pièces
- clapets et grilles de distribution de l'air frais dans les salons, chambres à coucher et autres lieux de séjour
- clapets et grilles d'extraction de l'air vicié présent dans les cuisines, salles de bains et autres pièces humides
- grilles murales extérieures d'admission et de refoulement de l'air.

EN

DE

IT





FR

NL

ET

LT


LV


-  Lisez ce manuel avant de vous livrer à toute utilisation de cette unité de ventilation.
-  Veillez à l'absence d'obstruction des grilles de transit ou des interstices ménagés sous les portes afin de garantir une circulation satisfaisante de l'air dans le bâtiment.
-  On ne peut exclure la formation de condensats sur l'enveloppe extérieure de l'unité de ventilation. Aucune intervention n'est requise en pareil cas.
-  Toute mise au rebut de cette unité de ventilation se doit d'être respectueuse de l'environnement. Il ne faut en aucun cas s'en débarrasser avec les ordures ménagères


2.2. Sécurité


Lire attentivement toutes les consignes de sécurité pour garantir un usage sûr et correct de l'unité de ventilation.


 **AVERTISSEMENT ! Tension électrique dangereuse.** Dans l'éventualité d'une catastrophe naturelle, coupez l'alimentation électrique

 **Respectez les consignes, précautions et règles de sécurité fournies dans ce manuel.** Tout manquement à cette obligation est susceptible d'endommager l'unité ou d'occasionner des lésions corporelles.


 **Il est nécessaire de confier l'installation, la mise en service et la maintenance de ce capteur à des techniciens spécialisés, sauf indication contraire dans les instructions.**


 **Ne pas ouvrir l'unité de ventilation. Un technicien spécialisé doit s'assurer que toutes les pièces susceptibles de provoquer des lésions corporelles sont correctement montées en toute sécurité au sein de l'unité.**


 **Sauf indication contraire précisée dans ce manuel, l'unité doit fonctionner en continu. Sinon, on ne peut exclure l'accumulation de condensation et la prolifération de moisissures.**


 **L'apport de toute modification à l'unité de ventilation et aux dispositifs de régulation raccordés est interdit. L'apport de toute modification matérielle ou logicielle frappe la garantie de nullité et risque de provoquer des dysfonctionnements ou d'occasionner des lésions corporelles.**

 **Si le câble d'alimentation est endommagé, il faut en confier le remplacement à un technicien spécialisé, agréé par Zehnder.**

 **S'agissant de l'installation, conformez-vous au manuel suivant ainsi qu'aux réglementations nationales et locales en vigueur. Procédez à l'installation d'un disjoncteur de sécurité en vue de toute déconnexion de l'alimentation électrique.**

 **Débranchez systématiquement l'unité de ventilation de l'alimentation électrique avant de vous lancer dans toute opération de maintenance ou de réparation. Veillez à ce que tout redémarrage accidentel soit exclu.**

 **Abstenez-vous de mettre en marche l'unité de ventilation lorsqu'elle est ouverte : la tension électrique et la rotation des ventilateurs sont susceptibles d'occasionner des lésions corporelles.**

 **Prenez des mesures appropriées pour prévenir les décharges électrostatiques lorsque vous travaillez sur cette unité. L'électricité statique est susceptible d'endommager certains composants électriques.**

2.3. Conditions d'installation

L'unité de ventilation est conçue pour être utilisée dans des habitations, bureaux, petits ateliers et autres lieux similaires, pour autant que les conditions suivantes soient remplies :

- absence de sauna ou de piscine
- absence d'humidité excessive
- absence d'empoussièrement excessif
- absence de substances nocives ou potentiellement corrosives.

Pour déterminer si l'unité de ventilation est utilisable dans le lieu envisagé, il faut s'assurer que :

- la tension de l'alimentation électrique disponible s'élève à 230 V, 50 Hz ; toute autre fréquence ou tension d'alimentation est susceptible d'endommager irrémédiablement l'unité
- que les températures ambiantes se situent en permanence dans la plage admise (voir tableau « Caractéristiques techniques »)
- l'humidité relevée dans la pièce n'est pas excessive, qu'elle ne donne lieu à aucune condensation et se situe en permanence dans la plage admise (voir tableau « Caractéristiques techniques ») Abstenez-vous de toute installation dans des locaux tels que les salles de bains ou les vestiaires où le taux d'humidité est supérieur à la moyenne.

Assurez-vous que la zone d'installation est suffisamment spacieuse pour accueillir le système de distribution d'air.

Veillez à ce que l'unité de ventilation demeure suffisamment accessible pour permettre l'exécution des procédures de maintenance.

L'unité Zehnder EVO 3 s'installe en applique murale ou au plafond, à l'aide des supports de montage fournis.

 **Reportez-vous au chapitre correspondant pour étudier les différentes options d'installation.**

EN

DE

IT

FR

NL

ET

LT

LV

2.4. Règles d'utilisation dans les pièces dotées d'une cheminée ouverte

Pour une utilisation en toute sécurité de cette unité de ventilation, il convient de se conformer aux exigences locales énoncées dans la réglementation, la législation et les directives pertinentes en la matière. L'installation d'une unité Zehnder EVO 3 n'est envisageable dans des lieux de divertissement, logements ou immeubles résidentiels comparables accueillant des cheminées ouvertes ou d'autres systèmes de combustion fonctionnant à l'air ambiant que si :

- des dispositifs de sécurité préviennent le fonctionnement simultané de foyers à air ambiant et de systèmes d'extraction d'air.
- Ou
- des dispositifs de sécurité spéciaux surveillent l'évacuation des gaz de combustion refoulés par le système de combustion fonctionnant à l'air ambiant. En présence d'un système de combustion brûlant des combustibles liquides ou gazeux, tout déclenchement du dispositif de sécurité doit entraîner l'arrêt du système de combustion ou du système de ventilation. En présence d'un système de combustion brûlant des combustibles solides, tout déclenchement du dispositif de sécurité doit entraîner l'arrêt du système de ventilation.

L'installation d'unités de ventilation mécanique contrôlée n'est pas envisageable si l'immeuble résidentiel considéré est équipé de systèmes de combustion à air ambiant raccordés à des dispositifs d'évacuation des gaz de combustion à raccords multiples. Pour garantir un fonctionnement correct, il faut que la fermeture des conduits d'air de combustion et des dispositifs d'évacuation des gaz de combustion des feux ouverts soit possible.

Il faut que l'extinction des foyers à combustible solide à l'aide d'un dispositif d'arrêt exclusivement actionnable à la main soit possible. Le dispositif d'arrêt doit être à l'écart de la poignée de commande. L'installation d'un dispositif d'arrêt anti-suie suffit à satisfaire cette exigence (dispositif de blocage de la suie).

Exigences en matière de protection contre l'incendie :

L'installation du système de ventilation mécanique contrôlée se doit d'être conforme aux réglementations nationales et locales en matière d'installation et de protection contre l'incendie.

2.5. Conformité

Les unités de ventilation Zehnder EVO proposées par le fabricant sont conformes à la réglementation et aux directives énoncées dans la déclaration UE de conformité et le certificat EAC.



Siber Zone S.l.u.

C/Can Marcia 2
08520 Las Frenquesas des Vallés
Boîte postale n°9
Barcelone, Espagne

3. Transport et livraison

3.1. Consignes de transport en toute sécurité



La plage des températures admises pour l'entreposage et le transport est comprise entre - 20 et + 50 °C.



Lire les instructions et consignes de sécurité avant tout transport de l'unité de ventilation.



Ne déplacez jamais l'unité de ventilation sans l'aide d'une autre personne. Il convient de manipuler avec précaution l'unité de ventilation lors de son transport et de son déballage.



Les arêtes de l'unité de ventilation peuvent être acérées. Enfilez une paire de gants de protection pour prévenir tout risque de coupure.

3.2. Vérifiez les articles fournis

La boîte contient les éléments suivants :

- Unité de ventilation Zehnder EVO 3
- Guide d'installation rapide
- Étiquette EcoDesign
- Supports d'installation
- Sac contenant les jointures antivibrations et les vis de fixation.

Vérifiez la plaque signalétique pour vous assurer que l'unité livrée est la bonne :

- EVO 3 HRV : unité équipée d'un échangeur thermique
- EVO 3 ERV : unité équipée d'un échangeur thermique enthalpique
- EVO 3 HRV PR : unité équipée d'un échangeur thermique sensible et d'un préchauffeur électrique
- EVO 3 ERV PR : unité équipée d'un échangeur thermique enthalpique et d'un préchauffeur électrique.



En cas d'endommagement manifeste de l'unité de ventilation ou d'accessoires manquants, prenez immédiatement contact avec leur fournisseur.

L'unité de ventilation Zehnder EVO 3 est livrée sans accessoires de régulation. Pour étudier les accessoires en option, reportez-vous au chapitre correspondant.

EN

DE

IT

FR

NL

ET

LT

LV

3.3. Déballage de l'unité de ventilation

Ouvrez la partie supérieure de l'emballage en carton. Dégagez l'unité de ventilation de son emballage et placez-la sur une surface propre et lisse pour éviter de l'endommager. Conservez la boîte en carton pour l'utiliser comme gabarit de perçage des trous indispensables à l'installation de l'unité.



Manipulez l'unité de ventilation avec précaution. Tout déplacement de l'unité de ventilation requiert l'intervention de deux personnes. Évitez de vous en saisir par les bouches de ventilation, au risque de les endommager.



Éliminez le matériau d'emballage en recourant à une méthode respectueuse de l'environnement.



Veillez à ne pas perdre les accessoires fournis.

4. Caractéristiques de l'unité EVO 3

L'unité Zehnder EVO 3 de ventilation mécanique contrôlée à double flux se caractérise par un rendement maximal s'élevant à 88,9 % (déclaration de performance conforme au règlement 1254/2014 de l'UE), un débit de ventilation maximal de 300 m³/h, plusieurs ventilateurs à faible consommation d'énergie et une dérivation automatique autorisant un « rafraîchissement naturel ».

Caractéristiques de l'unité EVO 3 :

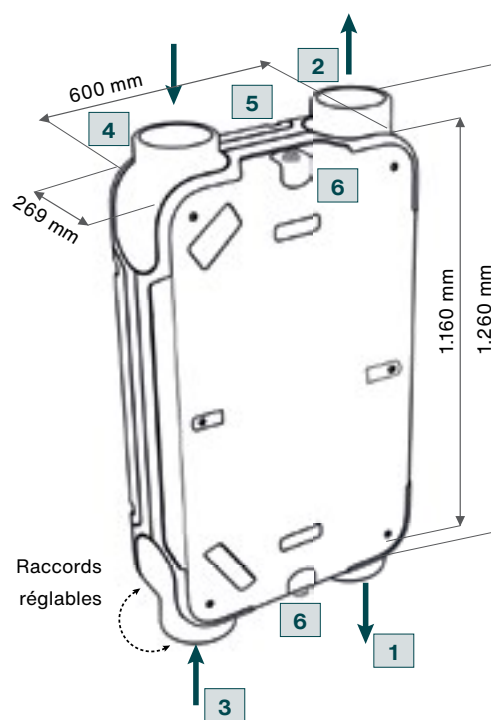
- régulation continue des débits d'air par le biais du tableau de commande
- indicateur d'état du filtre
- système intelligent de régulation de la protection contre le gel assurant un fonctionnement optimal même à basse température. En cas d'acquisition d'une version « PR », le préchauffeur électrique sera activé au besoin
- faible niveau de bruit
- dérivation automatique incluse par défaut
- régulation constante du débit
- haute performance, consommation réduite d'énergie.

L'unité Zehnder EVO 3 se décline en 4 versions :

- EVO 3 HRV : unité équipée d'un échangeur thermique
- EVO 3 ERV : unité équipée d'un échangeur thermique enthalpique
- EVO 3 HRV PR : unité équipée d'un échangeur thermique sensible et d'un préchauffeur électrique
- EVO 3 ERV PR : unité équipée d'un échangeur thermique enthalpique et d'un préchauffeur électrique.

Ces consignes d'installation s'appliquent à toutes les versions de l'unité Zehnder EVO.

4.1. Raccordements



Légende de la configuration par défaut de la « version d'usine »

Pictogramme	Signification
1	Flux d'air frais dans le logement
2	Évacuation de l'air vicié vers l'extérieur
3	Extraction de l'air vicié présent dans le logement
4	Admission d'air frais provenant de l'extérieur
5	Connexions électriques
6	Purgeur de condensat *

* Les unités EVO 3 HRV et EVO 3 HRV PR nécessitent un raccordement au réseau d'évacuation des condensats. Pour plus d'informations, reportez-vous au chapitre correspondant.

EN

DE

IT

FR

NL

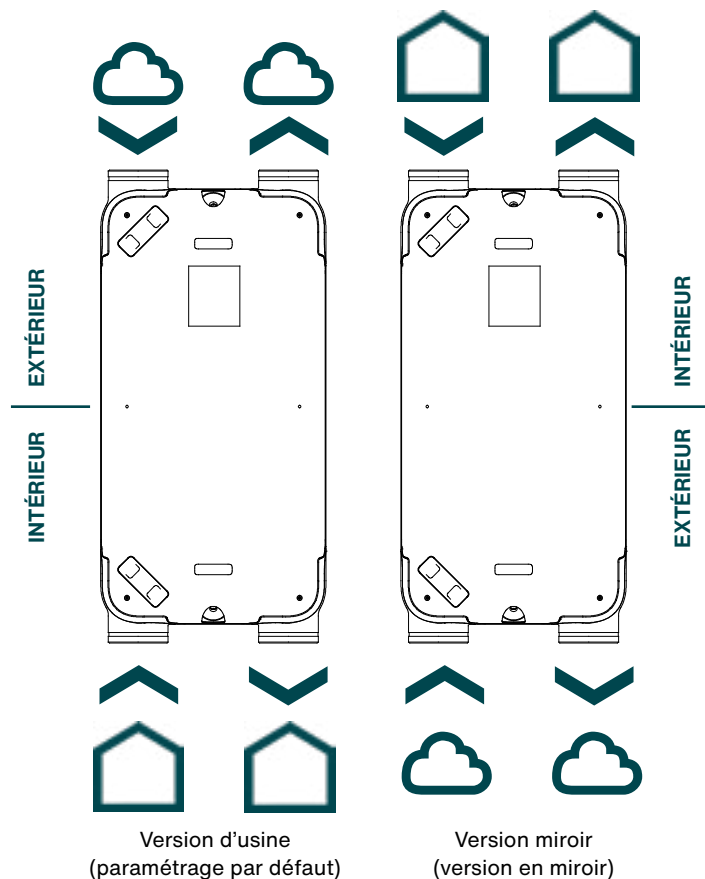
ET

LT

LV

4.2. Modification du modèle permettant de passer de la « version usine » à la « version miroir »

Pour passer de la « version usine » à la « version miroir », il suffit de ponter un cavalier entre les bornes 9 et 10.



IMPORTANT !

En cas de montage en applique murale de cette unité, il est **INDISPENSABLE** que ses connecteurs électriques soient orientés vers le haut. En cas d'installation d'une unité équipée d'un échangeur thermique (HRV), il **FAUT** que ses bouches d'admission d'air extérieur et d'évacuation d'air vicié soient orientées vers le bas (« version miroir »).

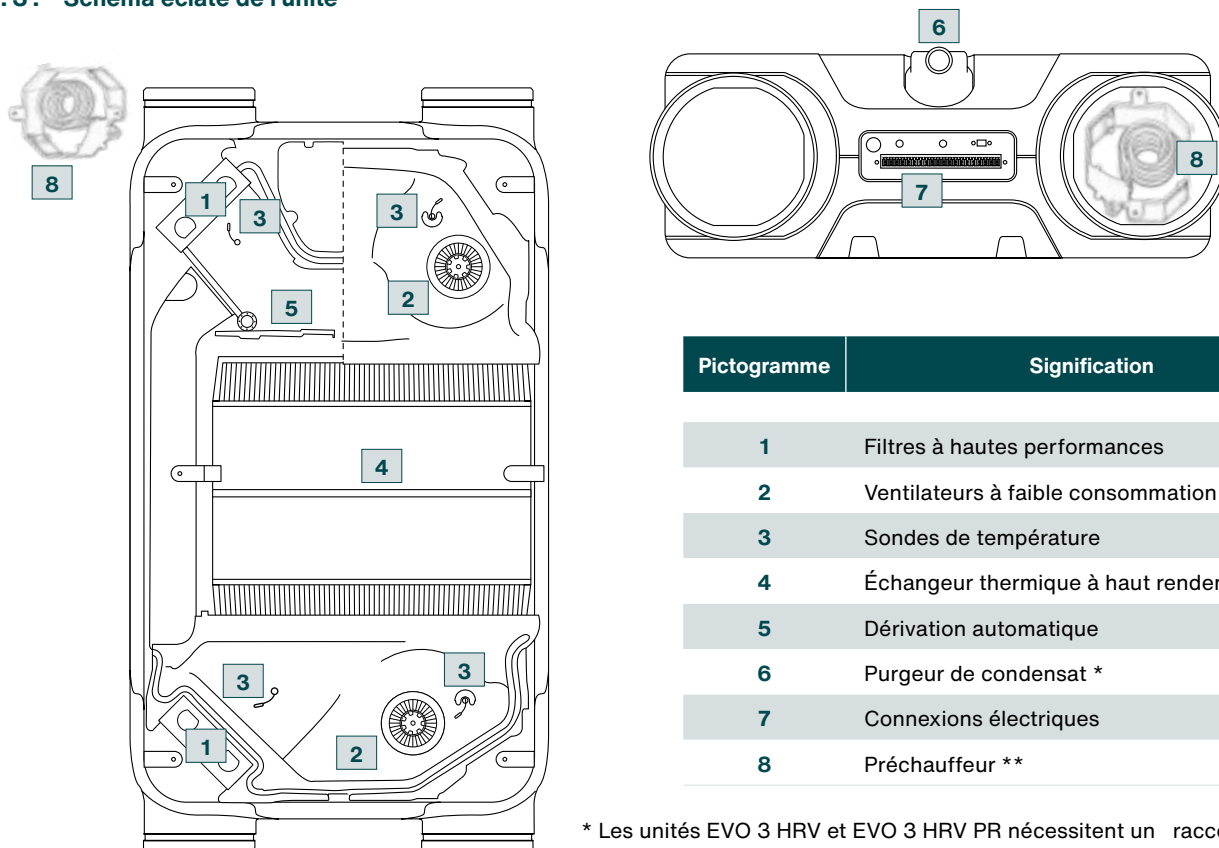
Reportez-vous au chapitre correspondant.

IMPORTANT !

Aucune conversion de la « version d'usine » en « version miroir » n'est possible avec les modèles suivants :

EVO 3 HRV PR et EVO 3 ERV PR






4.3. Schéma éclaté de l'unité



* Les unités EVO 3 HRV et EVO 3 HRV PR nécessitent un raccordement au réseau d'évacuation des condensats

** Inclus par défaut sur les modèles EVO 3 HRV PR et EVO 3 ERV PR uniquement

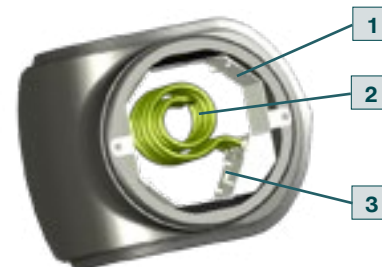
4.4. Caractéristiques techniques

Zehnder EVO 3					
Dimensions (longueur x largeur x profondeur)	1.160 x 600 x 269 mm				
Poids	36 kg				
Installation	À l'horizontale au plafond ou à la verticale contre un mur (*)				
Plage de températures ambiantes d'installation	de 10 à 45 °C				
Plage d'humidité ambiante d'installation	< 90 % sans condensation				
Raccordement au purgeur de condensats (Ø)	1/2"				
Section des raccords aérauliques (Ø)	Ø 160				
Tension d'alimentation	230 V / 50 Hz				
Débit d'air maximal	300 m³/h / 83.2 l/s				
	Zehnder EVO 3 HRV		Zehnder EVO 3 ERV		
Filtres standard	2x ISO Coarse 65 % (G4) pour la distribution et l'extraction				
Filtres optionnels	ISO ePM1 55 % (F7) / ISO Coarse 65 % (G4) pour la distribution et l'extraction				
Mode de ventilation					
Dispositif ComfoSense S	0	1	2	3	Augmentation du débit
Débit d'air de ventilation (m³/h)	90	120	180	240	300

(*) Voir chapitre relatif aux options et précautions à prendre en cas de montage mural de l'unité.

4.5. Modèles à préchauffeur électrique EVO 3 HRV PR et EVO 3 ERV PR

Sur les modèles EVO 3 HRV PR et EVO 3 ERV PR, le préchauffeur électrique est installé par défaut sur la bouche d'admission d'air extérieur. Ce préchauffeur augmente de 10 °C la température de l'air entrant, en protégeant de la sorte l'unité de récupération durant les jours les plus froids de l'année. Lorsque cela est possible, il est recommandé d'installer un préfiltre externe afin d'éviter l'accumulation de saletés sur l'élément de préchauffage.



- 1.Éléments chauffants en acier inoxydable AISI304L
- 2.Puissance 1 kW
- 3.Coupure automatique à 40 °C pour prévenir toute surchauffe

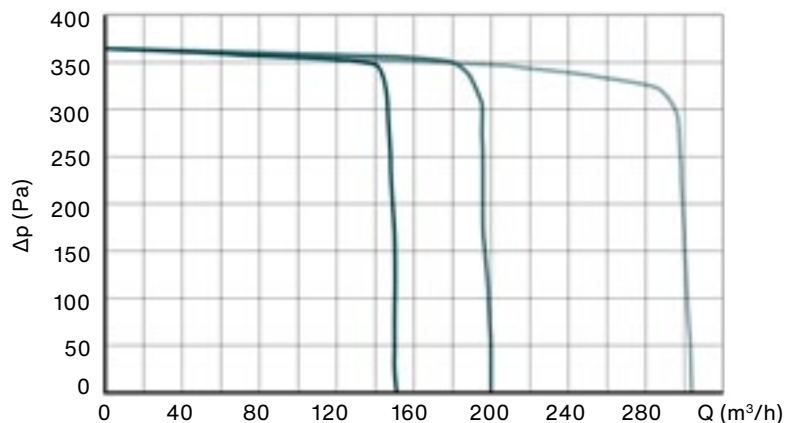
4.6. Classes d'efficacité énergétique

Classes d'efficacité énergétique en conformité avec le règlement 1254/2014 de l'UE.

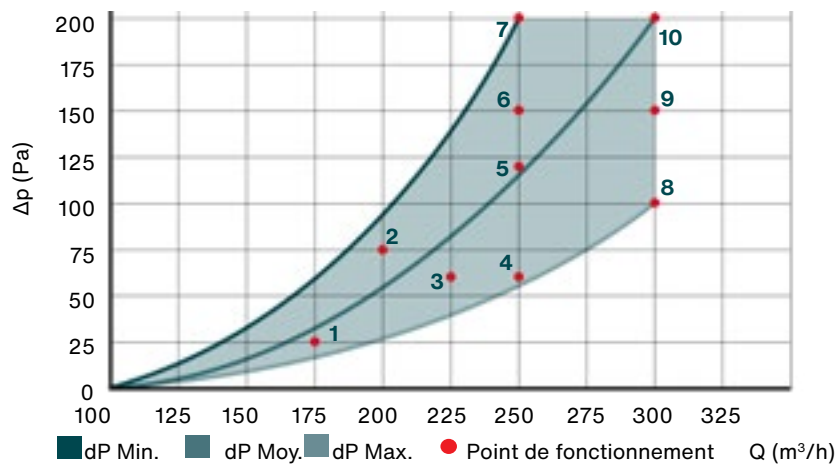
Données énergétiques		Données énergétiques	
Étiquette de consommation d'énergie UE destinée à l'unité EVO 3 HRV		Étiquette de consommation d'énergie UE destinée à l'unité EVO 3 ERV	
Classe d'efficacité énergétique	A⁺ **	Classe d'efficacité énergétique	A **
Débit d'air volumétrique maximal [m³/h]	300	Débit d'air volumétrique maximal [m³/h]	300
Efficacité énergétique certifiée	88,9 %	Efficacité énergétique certifiée	74,3 %
Niveau de puissance acoustique LWA dB(A)	45	Niveau de puissance acoustique LWA dB(A)	45

** en fonction de l'unité de régulation et/ou de la nature des capteurs choisis.

4.7. Courbes de performances



- Vitesse minimale
- Vitesse intermédiaire
- Vitesse maximale

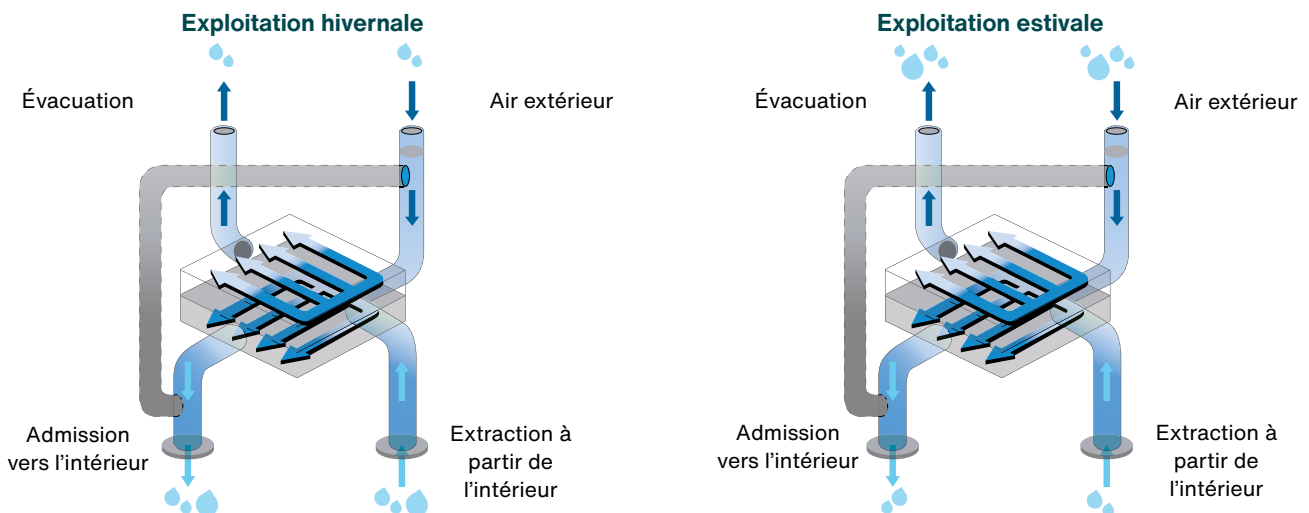


4.8. Points de fonctionnement

Points de fonctionnement

Point	Débit [m³/h]	Pression [Pa]	Puissance [W]	SFP [W/l/s]
1	175	25	28	0,58
2	200	75	56	1,01
3	225	60	66	1,06
4	250	60	84	1,21
5	250	120	106	1,53
6	250	150	113	1,63
7	250	200	151	2,17
8	300	100	133	1,60
9	300	150	146	1,75
10	300	200	153	1,84

4.9. Principe de fonctionnement de l'échangeur de chaleur enthalpique



En hiver, l'air chaud et humide des cuisines et salles de bains est extrait de l'environnement domestique. Au sein de l'échangeur thermique, cet air rencontre un air extérieur froid et très sec et lui cède sa chaleur ainsi qu'une partie de son humidité. En d'autres termes la température et l'humidité de l'air extérieur admis dans le logement permettent de maintenir un niveau maximal de confort intérieur, sans assèchement excessif de l'air ambiant. L'échangeur de chaleur enthalpique permet à l'installation de chauffage de maintenir l'air à une température idéale, même par temps très froid.

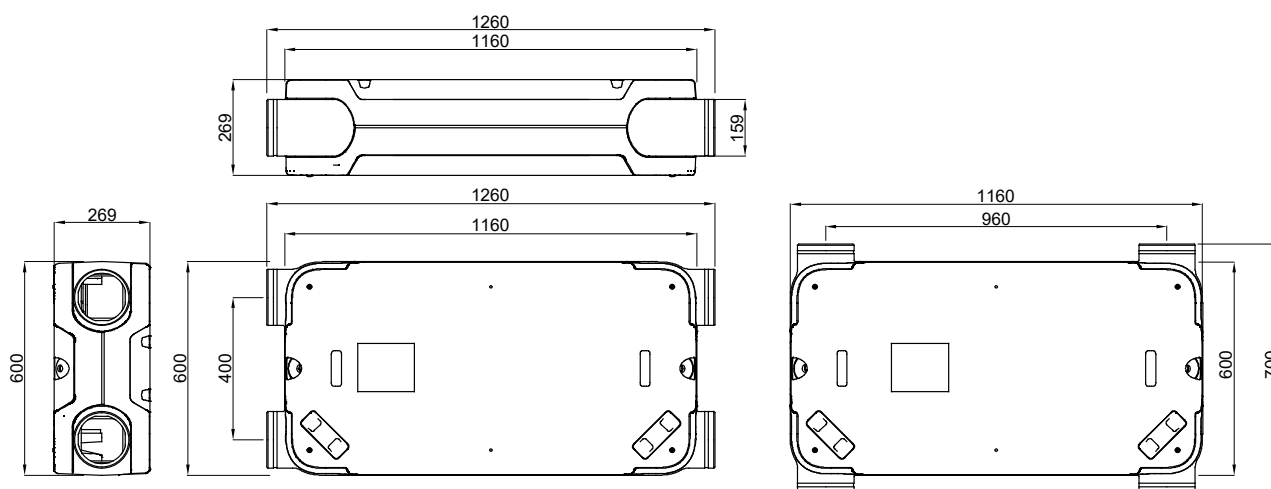
En été, un air frais déshumidifié est extrait de l'environnement intérieur. Au sein de l'échangeur thermique, cet air rencontre un air extérieur chaud et humide dont il contribue au refroidissement et à la déshumidification préalables. Ainsi, l'unité de ventilation aide le système de déshumidification et de refroidissement actifs à préserver le confort intérieur, en dépit d'une consommation d'énergie très réduite. L'échangeur de chaleur enthalpique est parfaitement adapté à la ventilation d'une climatisation ou au post-traitement de l'air, comme déshumidificateur conjugué à l'utilisation d'une unité de refroidissement par rayonnement.

4.10. Données acoustiques





Niveaux de bruit									
Débit de référence		m ³ /h	90	150	200	300			
Débit de référence		Pa	50	50	100	80	150	100	200
Puissance acoustique L _w (A)	Puissance acoustique de l'unité	dB(A)	36	40	44	46	49	52	54
	Conduit d'extraction	dB(A)	38	42	46	47	50	54	56
	Conduit d'admission	dB(A)	53	55	60	61	64	67	69
Pression acoustique L _p (A) à 1,5 m	Puissance acoustique de l'unité	dB(A)	21	25	29	31	34	37	39

5. Installation

5.1. Dimensions



5.2. Évaluations préliminaires

-  **Débranchez l'alimentation électrique avant l'exécution de toute procédure d'installation ou de désinstallation.**
-  **Veillez à ce que l'unité demeure à l'abri de toute source ou projection d'eau.**
-  **Pendant l'installation, éloignez les enfants et les animaux domestiques du site d'installation.**
-  **Veillez à ménager un dégagement suffisant pour permettre la maintenance périphérique, frontale et/ou sous-jacente de l'unité.**

L'installation correcte et sans heurt de l'unité de ventilation requiert l'intervention de deux personnes.

L'unité Zehnder EVO 3 s'installe en applique murale ou au plafond, à l'aide des supports de montage fournis.

Pour éviter les vibrations, il y a lieu d'installer cette unité sur un plafond ou contre un mur dont la densité est égale ou supérieure à 200 kg/m²; une simple structure en béton ou en métal est insuffisante. En pareil cas, la prise de mesures supplémentaires telles que la pose de doubles plaques de renfort ou de supports additionnels est indispensable.

L'unité se doit d'être à niveau à la verticale ou à l'horizontale (en fonction de la position d'installation) afin de prévenir les bruits et vibrations du ventilateur.

5.3. Installation



Abstenez-vous d'installer cette unité à l'extérieur. Assurez-vous que la température et l'humidité qui règnent au sein de l'environnement d'installation se situent en permanence dans les plages d'exploitation admises.

L'unité de ventilation est susceptible d'être installée à l'horizontale (sur des supports de plafond) ou à la verticale (sur des supports muraux). En cas de sélection d'une unité EVO 3 HRV ou EVO 3 HRV PR, son site d'installation doit être équipé d'un réseau efficace d'évacuation des condensats, muni d'un siphon et présentant une pente suffisante. Ce réseau se doit de ne jamais être obstrué ni soumis au gel, afin de garantir une évacuation correcte et constante des condensats.



Assurez-vous que la pente de la canalisation d'évacuation des condensats n'est ni parallèle à l'unité ni inclinée vers celle-ci.

En cas de sélection d'une unité EVO 3 ERV ou EVO 3 ERV PR, tout dispositif d'évacuation des condensats est superflu.

Le site d'installation doit être suffisamment dégagé pour autoriser l'exécution d'opérations de maintenance de routine (remplacement des filtres) et de maintenance extraordinaire (ouverture de l'unité, extraction et nettoyage de l'échangeur thermique et des ventilateurs, etc.)

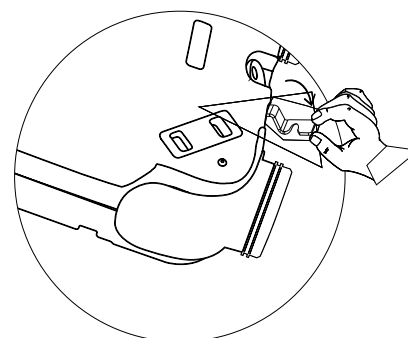
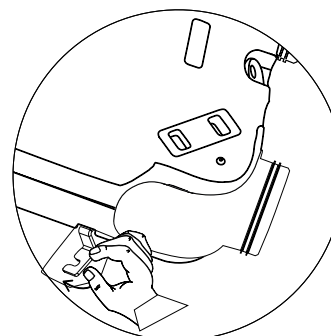


Cette unité est conçue pour un montage au plafond ou en applique murale. Elle NE peut PAS être installée sur un plancher.

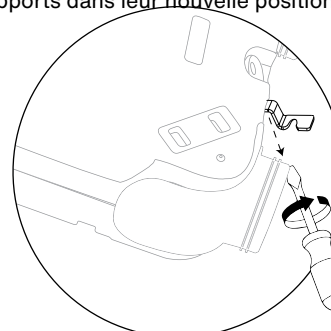
5.4. Montage au plafond

1. L'unité est fournie avec des supports de fixation, placés dans un sac plastique séparé, à l'intérieur de l'emballage de l'unité.

- Positionnez les supports de fixations sur la longueur ou la largeur en fonction des exigences d'installation.

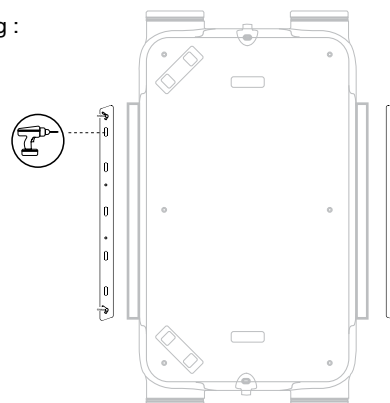


- Visser les supports dans leur nouvelle position.



2. Percez une série de trous à travers la surface comme indiqué, puis vissez les supports de montage en passant à travers les trous ovales.

- Côté long :



EN

DE

IT

FR

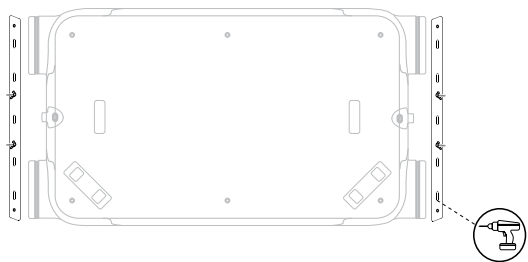
NL

ET

LT

LV

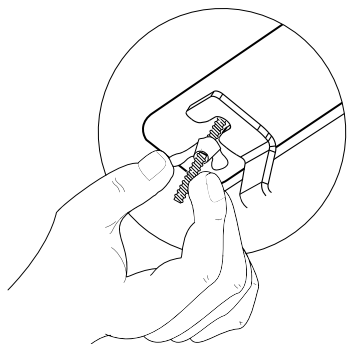
▪ Côté court :



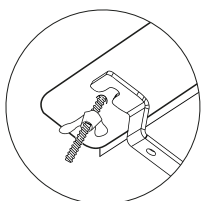
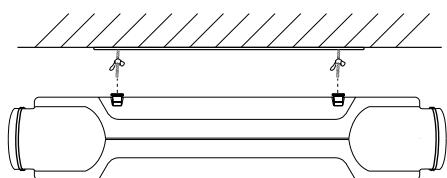
IMPORTANT !

Les supports doivent être espacés de 630 mm sur les côtés longs (version standard) et de 1 195 mm sur les côtés courts.

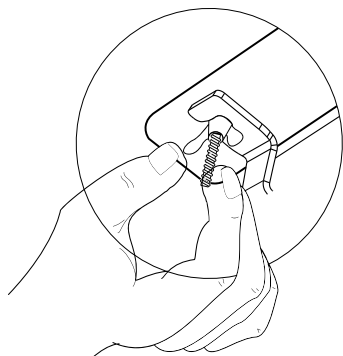
3. Dévissez les écrous à oreilles jusqu'à ce qu'ils ne soient plus qu'à 1 cm de l'extrémité de la tige filetée.



4. Placez l'unité sur la partie supérieure du guide et faites-la glisser jusqu'à ce qu'elle s'emboîte sur la tige filetée.



5. Resserrez les écrous à oreilles pour immobiliser l'unité sur son support.



5.5. Montage en applique murale

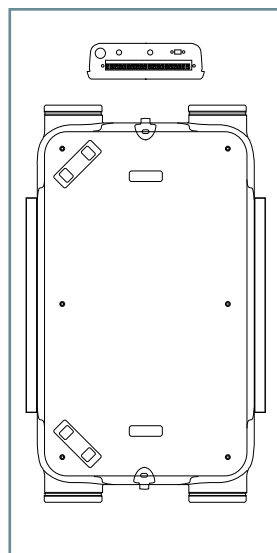


Il convient d'installer l'unité à la verticale et de la mettre à niveau par rapport au plan vertical afin de garantir une évacuation efficace des condensats.

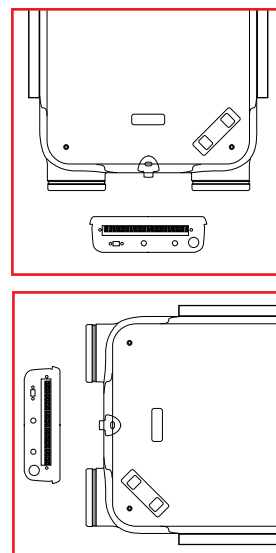


Lors de l'installation, vous devez veiller à ce que le connecteur de la carte de commande à circuit intégré soit orienté vers le haut. Cette unité ne peut être installée à l'envers, avec ce connecteur orienté vers le bas.

Installation correcte

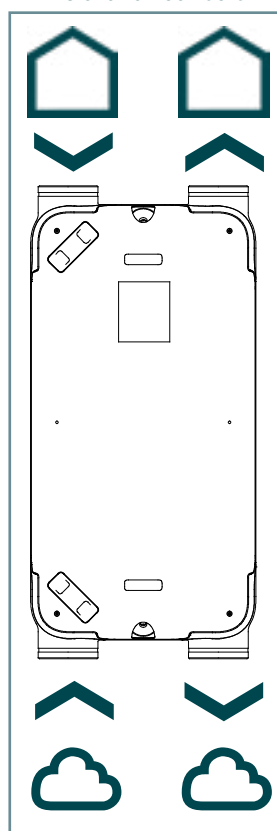


Installations INCORRECTES

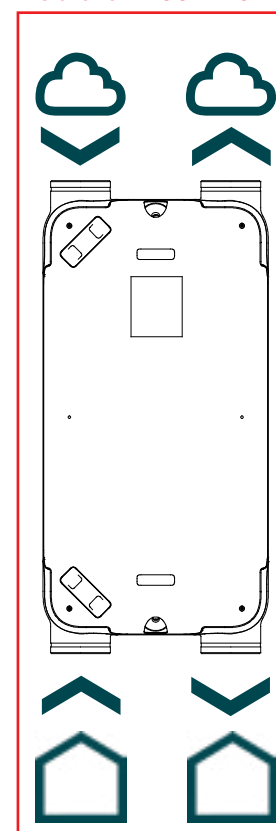


Procédez UNIQUEMENT à l'installation d'une unité équipée d'un échangeur sensible (HRV) en « version miroir », en veillant à ce que les bouches d'admission d'air extérieur et d'évacuation de l'air vicié soient orientées vers le bas.

Installation correcte



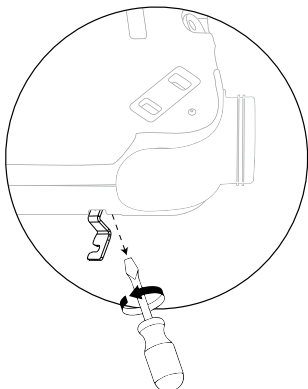
Installation INCORRECTE



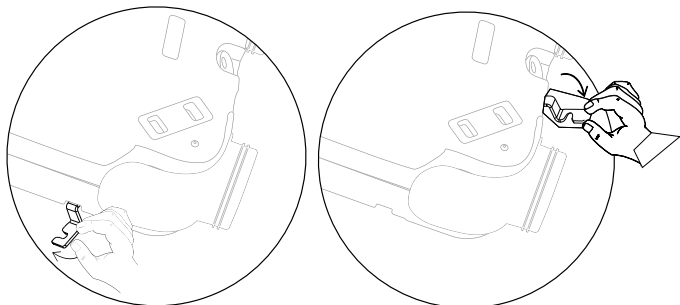
- EN
- DE
- IT
- FR**
- NL
- ET
- LT
- LV

1. À la livraison, l'unité considérée est pourvue de ses supports de montage préinstallés sur le côté long. Pour les faire passer du côté court, procédez comme suit.

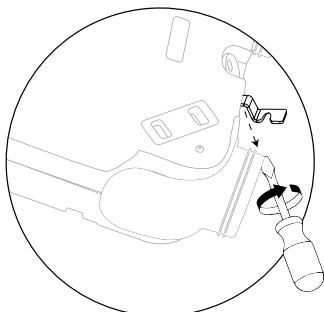
- Dévissez les supports de montage.



- Faites-les passer du côté court, sans en modifier l'orientation.

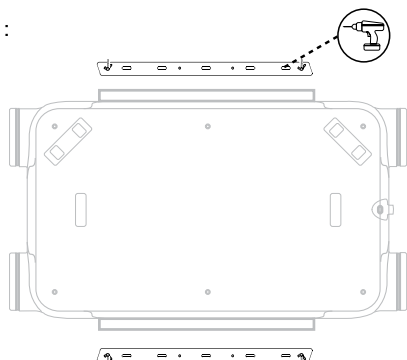


- Visser les supports dans leur nouvelle position.

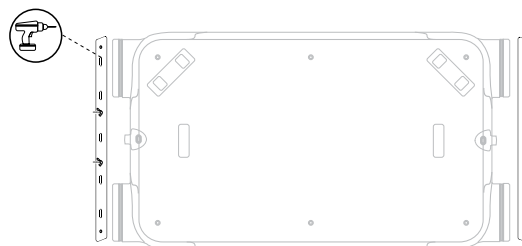


2. Percez une série de trous à travers la surface comme indiqué, puis vissez les supports de montage en passant à travers les trous ovales.

- Côté long :



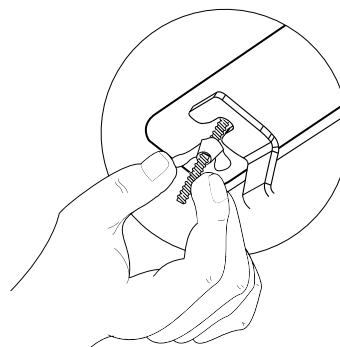
- Côté court :



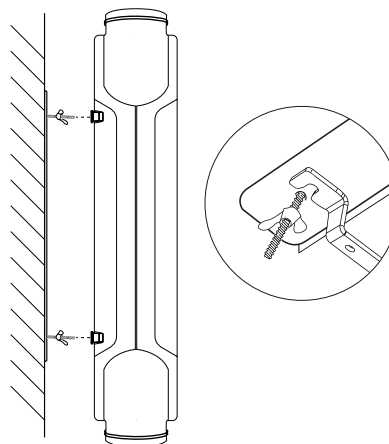
IMPORTANT !

Les supports doivent être espacés de 630 mm sur les côtés longs (version standard) et de 1 195 mm sur les côtés courts.

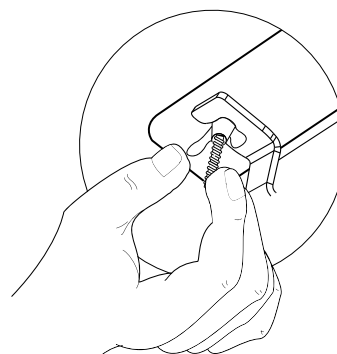
3. Dévissez les écrous à oreilles jusqu'à ce qu'ils ne soient plus qu'à 1 cm de l'extrémité de la tige filetée.



4. Placez l'unité sur la partie supérieure du guide et faites-la glisser jusqu'à ce qu'elle s'emboîte sur la tige filetée.



5. Resserrez les écrous à oreilles pour immobiliser l'unité sur son support.



EN

DE

IT

FR

NL

ET

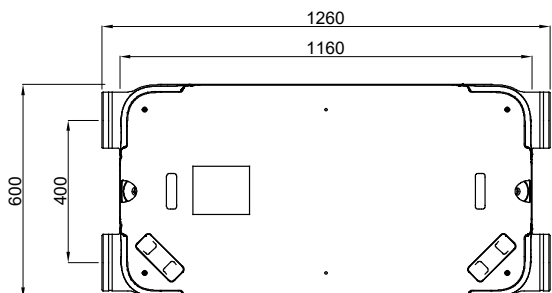
LT

LV

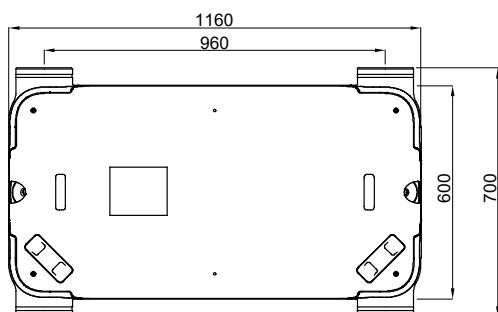
5.6. Positionnement des bouches de distribution

La procédure de rotation des bouches de distribution est indiquée ci-après.

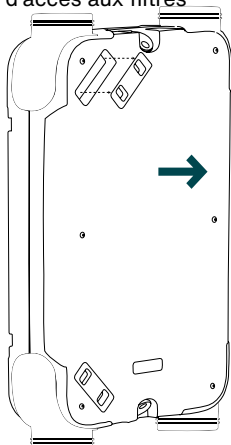
- Configuration par défaut :



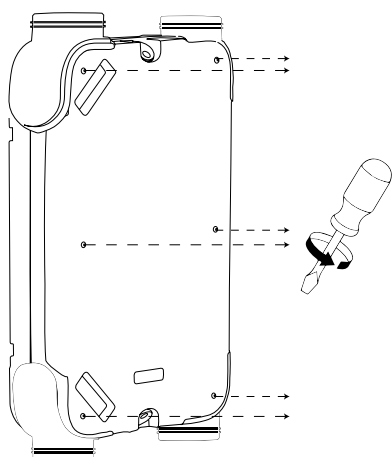
- Configuration caractérisée par une rotation des bouches à 90° :



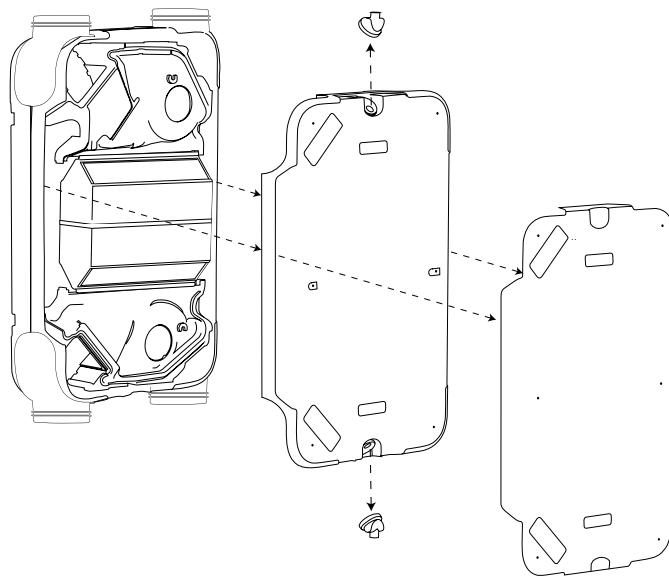
1. Déposez les coiffes d'accès aux filtres



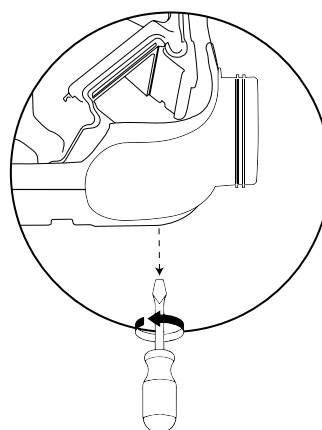
2. Déposez les vis de fixation extérieures du couvercle



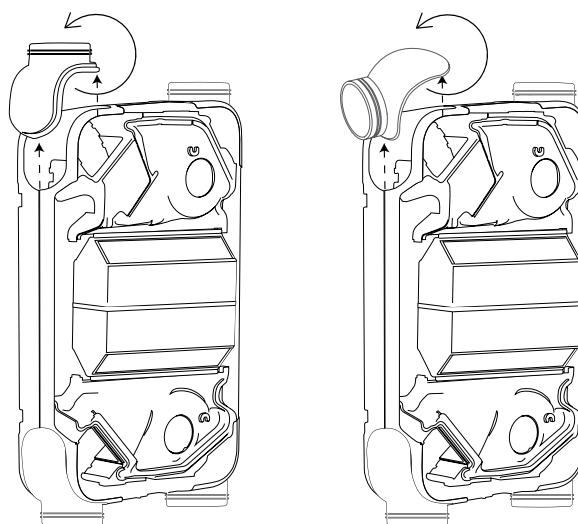
3. Déposez le couvercle métallique extérieur, puis le couvercle supérieur en polypropylène, en exposant de la sorte l'intérieur de l'unité



4. Déposez les vis de retenue des raccords en EPP

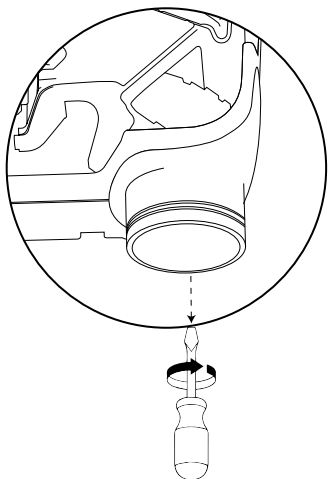


5. Soulevez les raccords, faites-les pivoter, puis remettez-les en place

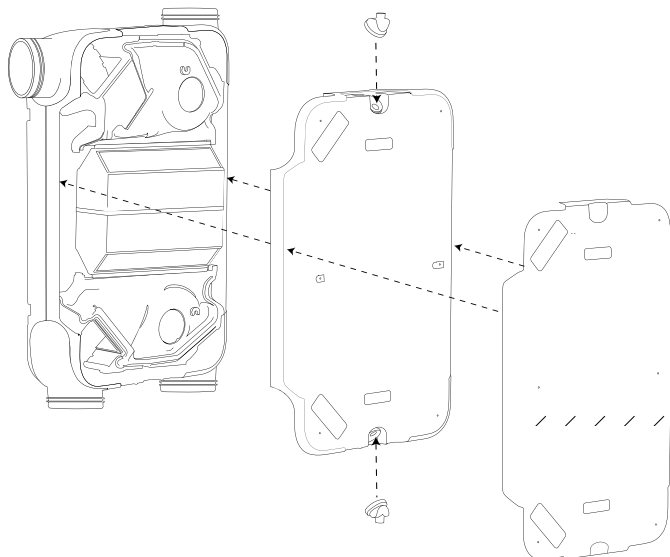


- EN
- DE
- IT
- FR
- NL
- ET
- LT
- LV

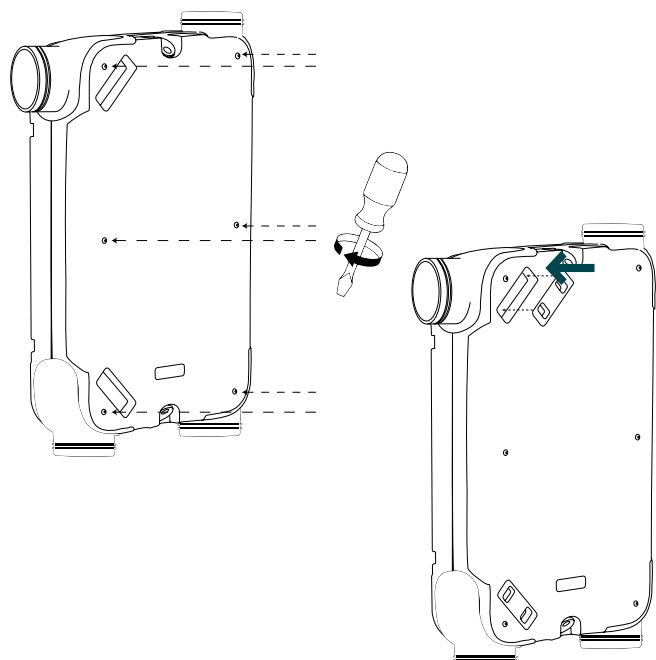
6. Resserrez les vis de fixation des raccords



7. Remontez le couvercle supérieur en polypropylène, puis le couvercle métallique



8. Resserrez-en les vis de fixation, puis remontez les coiffes d'accès aux filtres



5.7. Raccordement au purgeur de condensats

Les unités Zehnder EVO 3 HRV et Zehnder EVO 3 HRV PR doivent être équipées d'un réseau d'évacuation des condensats.

* Les unités EVO 3 ERV et EVO 3 ERV PR se passent de tout dispositif d'évacuation des condensats.

Vissez le siphon à filet mâle 1/2" (non inclus dans les fournitures, composant à commander séparément) sur le raccord d'évacuation des condensats que présente l'unité considérée.

Pour une maintenance adéquate, installez le siphon de manière à en permettre la dépose et l'inspection aisées.

Ce raccord d'évacuation des condensats est orientable à l'horizontale ou vers le bas.

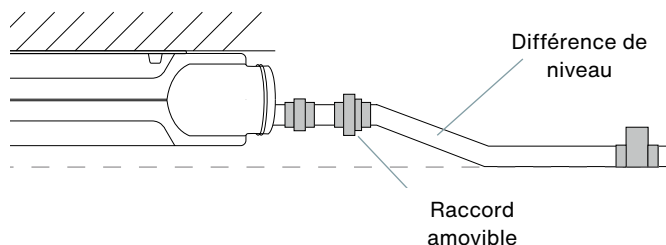


Assurez-vous que la pente de la canalisation d'évacuation des condensats n'est ni parallèle à l'unité ni inclinée vers celle-ci.

Important !

Sur les unités EVO HRV et EVO HRV PR, un seul purgeur de condensats est raccordé ; l'autre doit être obturé. Sur les unités EVO ERV et EVO ERV PR, les deux purgeurs de condensats doivent être obturés. Les bouchons sont fournis.

Les consignes d'installation du réseau d'évacuation des condensats pour une unité EVO installée à l'horizontale sont énoncées ci-après :



En cas d'installation de cette unité à l'horizontale et au plafond, le purgeur de condensats doit déboucher au-dessous de l'unité en tant que telle.

Avertissement !

La garantie n'est valable qu'à condition qu'un siphon sec Zehnder d'origine soit installé et que le réseau d'évacuation des condensats soit correctement construit. Dans le cas contraire, la société Zehnder décline toute responsabilité en cas d'endommagement de l'unité.

6. Connexions électriques

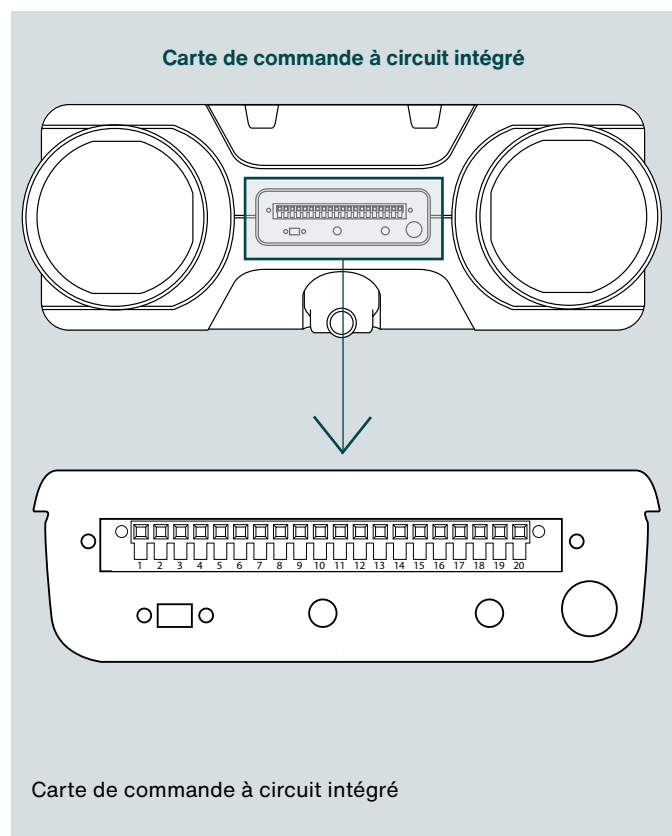
Le raccordement au réseau d'alimentation électrique doit être en conformité avec les normes réglementaires.

La tension d'alimentation des ventilateurs et de la carte à circuit intégré s'élève à 230 V.



Il convient de déconnecter l'alimentation électrique préalablement à toute intervention sur l'unité, à son installation ou à sa maintenance.

Code couleur du câblage	
Brun	Sous tension
Bleu	Neutre
Vert/jaune	Terre



Description des connecteurs		
Conn.	Description	Carte à circuit intégré
BORNE 1	Automatisation domestique - 10 V	X-26
BORNE 2	Automatisation domestique - 0 V	X-26
BORNE 3	Automatisation domestique - contact sec	X-25
BORNE 4	Automatisation domestique - contact sec	X-25
BORNE 5	Inutilisée	-
BORNE 6	Inutilisée	-
BORNE 7	Sortie 10 V du postchauffeur (*)	X-16
BORNE 8	Sortie 0 V du postchauffeur (*)	X-16
BORNE 9	« Mode miroir » NO/NF (*)	X-32
BORNE 10	« Mode miroir » NO/NF (*)	X-32
BORNE 11	Inutilisée	-
BORNE 12	Sélecteur V1 commun	X-510
BORNE 13	Sélecteur V2	X-510
BORNE 14	Sélecteur V3	X-510
BORNE 15	Sortie 230 V du préchauffeur (**)	X-17
BORNE 16	Sortie à la terre du préchauffeur (**)	X-17
BORNE 17	Sortie neutre du préchauffeur (**)	X-17
BORNE 18	Inutilisée	X-28
BORNE 19	Inutilisée	X-28
BORNE 20	Inutilisée	X-28

(*) Broche inutilisée sur les modèles Zehnder EVO 3 HRV PR et Zehnder EVO 3 ERV PR

(**) Sur les modèles équipés d'origine d'un préchauffeur, ces broches sont affectées au postchauffeur (en option) et non au préchauffeur.

EN

DE

IT

FR

NL

ET

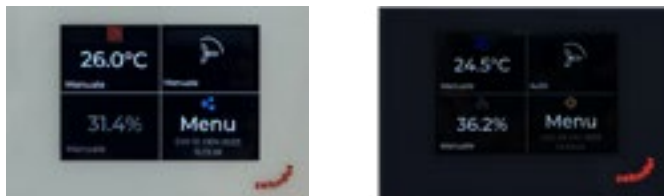
LT

LV

7. Dispositifs de commande et connectivité

Les unités de la gamme Zehnder EVO sont susceptibles d'être supervisées et pilotées de diverses manières. Voici une liste des accessoires disponibles :

7.1. Dispositif Zehnder Multi Control



Le pilotage des unités Zehnder EVO par le biais d'un dispositif Zehnder Multi Control en autorise l'exploitation avec les systèmes de post-traitement Zehnder ComfoDew ou Zehnder ComfoPost. La vitesse minimale de rotation du ventilateur est sélectionnée par défaut sur l'unité de ventilation. Les relais dont le dispositif Multi Control est équipé autorisent l'activation de la seconde ou de la troisième vitesse de ventilation à la demande de l'utilisateur ou lorsque leur sélection s'impose pour répondre aux besoins de post-traitement.

Le dispositif Multi Control permet aux utilisateurs de sélectionner le mode de fonctionnement manuel ou automatique, d'élaborer des programmes de temporisation hebdomadaires et d'afficher l'alarme de remplacement des filtres.



En cas de connexion, outre le dispositif Multi Control, d'un autre dispositif, tel que le Zehnder EVO Sense, pour superviser et piloter l'unité, il faut laisser ce dernier fonctionner en mode manuel et à la première vitesse de rotation du ventilateur en toutes circonstances. Sinon le fonctionnement du dispositif Multi Control laissera à désirer.



Le dispositif Zehnder Multi Control est susceptible d'être connecté à l'application « Zehnder Multi Controller », laquelle supervise et gère l'unité de ventilation, les zones thermiques et le système de chauffage.

7.2. Dispositif sans fil Zehnder EVO Sense



Le dispositif intelligent et sans fil EVO Sense communique avec l'unité de ventilation par RF (radiofréquence). Ce dispositif permet de sélectionner cinq débits distincts. Il permet également aux utilisateurs d'élaborer des programmes de temporisation quotidiens et hebdomadaires et de définir un mode de fonctionnement automatique.

Ce dispositif comporte une interface intelligente d'utilisation et d'installation permettant de superviser et de configurer l'unité de ventilation connectée.

7.3. Dispositif Zehnder EVO Switch RF



Le dispositif sans fil EVO Switch à boutons-poussoirs et à quatre réglages communique avec l'unité de ventilation par RF (radiofréquence). Ce dispositif permet de sélectionner quatre modes d'exploitation distincts. Il est pourvu d'un indicateur d'alarme de remplacement des filtres.

7.4. Capteur de CO₂ RF



Le capteur de CO₂ sans fil surveille le taux de dioxyde de carbone relevé dans la pièce où il est monté et il transmet ses relevés par RF (radiofréquence) à l'unité Zehnder EVO. L'unité se fonde sur les données transmises par le capteur pour porter en conséquence son débit de ventilation au niveau adéquat dans le but de garantir un air intérieur de bonne qualité.

7.5. Capteur d'humidité RF



Le capteur sans fil surveille le taux d'humidité relative de l'air relevé dans la pièce où il est monté et il transmet ses relevés par RF (radiofréquence) à l'unité Zehnder EVO. L'unité se fonde sur les données transmises par le capteur pour porter en conséquence son débit de ventilation au niveau adéquat dans le but de garantir un air intérieur de bonne qualité.

EN

DE

IT

FR

NL

ET

LT

LV

7.6. Connectivité intelligente

Différentes méthodes d'interfaçage vous permettront de transformer votre habitation en maison intelligente:

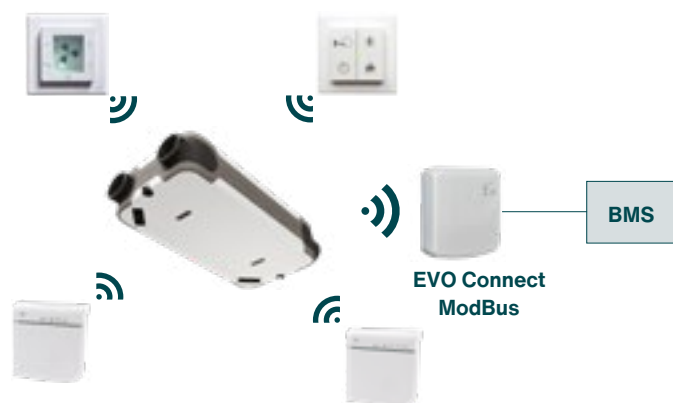
- EVO Connect ModBus
- EVO Connect ModBus-KNX.

7.6.1. EVO Connect ModBus

Raccordé par un câble au système de gestion d'immeuble (BMS), le dispositif « EVO Connect ModBus » autorise, par le biais du protocole ModBus, la lecture et la saisie de données relatives à l'unité de ventilation EVO ainsi qu'à l'ensemble des dispositifs de régulation sans fil (EVO Sense/EVO Switch) et capteurs (humidité relative/CO₂) compatibles qui lui sont connectés.

Ce dispositif communique par RF avec l'unité EVO.

 **L'EVO Connect ModBus - KNX requiert une alimentation 24 V CA/CC pour fonctionner correctement.**

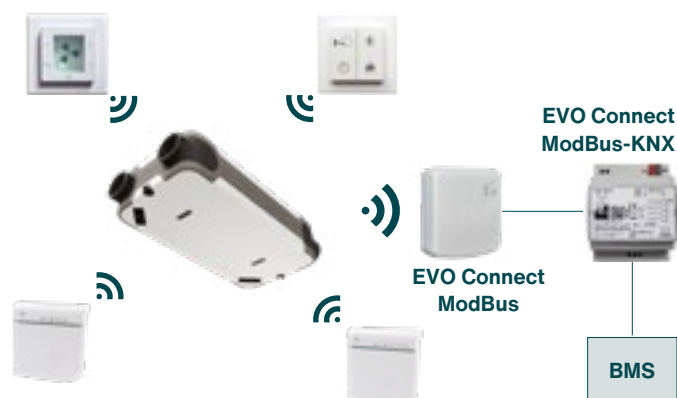


7.6.2. EVO Connect ModBus - KNX

Le dispositif « EVO Connect ModBus - KNX » est un convertisseur ModBus/KNX dont le raccordement par câble à la passerelle EVO Connect ModBus permet de traduire les données recueillies par la passerelle et de les transmettre par câble au BMS.

Il recueille les données provenant des unités EVO, des dispositifs de régulation sans fil (EVO Sense/EVO Switch) ainsi que de tous les capteurs (humidité relative/CO₂) compatibles qui lui sont connectés.

 **L'EVO Connect ModBus - KNX requiert une alimentation 24 V CA/CC pour fonctionner correctement.**



EN

DE

IT

FR

NL

ET

LT

LV

8. Mise en service

La mise en service de l'unité de ventilation peut s'effectuer dès après son installation. Procédez comme suit.

- Lisez attentivement les consignes de mise en service avant de commencer.
- Fermez toutes les fenêtres ainsi que les portes intérieures et extérieures.
- Assurez-vous du montage correct de tous les clapets, puis ouvrez-les au maximum.
- Assurez-vous de l'état irréprochable des filtres des clapets et de l'unité de ventilation. Des filtres encrassés risquent de fausser l'issue de toute mise en service.
- Réglez l'unité de ventilation sur la troisième vitesse de rotation du ventilateur. Il ne faut pas activer le mode automatique.
- Veillez à l'absence d'obstruction des grilles de transit ou des interstices ménagés sous les portes ainsi qu'à la circulation sans entrave de l'air présent. Ces éléments doivent rester parfaitement dégagés pendant toute la durée de fonctionnement de l'unité de ventilation.
- Procédez au réglage des clapets en commençant par celui confronté au débit d'air le plus faible (il s'agit généralement du clapet le plus éloigné de l'unité de ventilation). Servez-vous d'un instrument de mesure étalonné pour régler le débit d'air nominal souhaité sur chaque clapet.
- Pour réduire au maximum la consommation d'énergie, veillez à ce qu'un clapet d'alimentation en air frais et un clapet d'extraction d'air vicié soient complètement ouverts.
- Répétez le réglage du débit volumétrique jusqu'à ce que tous les clapets soient réglés au débit voulu.
- Si les vitesses sélectionnées ne permettent pas d'équilibrer le débit d'air, il convient de régler le régime du ventilateur en fonction des débits indispensables.

9. Fonctionnement

À la livraison, cette unité est prête à être raccordée à l'alimentation électrique et son fonctionnement est entièrement automatique. Une partie de l'énergie thermique véhiculée par l'air vicié extrait de l'intérieur de l'édifice est transférée à l'air frais provenant de l'extérieur. La température de l'air frais et propre acheminé à l'intérieur de l'édifice est préconditionnée. Sa fraîcheur estivale et sa chaleur hivernale permettent de réaliser d'importantes économies d'énergie. Le nombre des débits de ventilation disponibles s'élève à cinq en fonction de la nature du système de régulation utilisé. La régulation à débit constant de cette unité implique que les débits d'admission et d'extraction d'air sont atteints indépendamment des pertes de charge subies dans les gaines.

9.1. Fonctionnement de la dérivation

La dérivation fournie d'origine autorise une admission directe de l'air extérieur, lequel passe par le filtre mais contourne l'échangeur thermique, afin de bénéficier de températures extérieures favorables pendant des périodes déterminées, tels que la nuit en été, lorsqu'il est préférable de permettre à l'air frais d'entrer pour réduire gratuitement la température à l'intérieur de l'habitation (« refroidissement naturel »). L'actionnement du clapet de dérivation est automatique lorsque certaines conditions sont réunies, comme le tableau ci-après en fait état.

Fonctionnement de la dérivation	
Dérivation ouverte	<ul style="list-style-type: none"> ▪ La température extérieure est supérieure à 10 °C. ▪ En été, la température extérieure est inférieure de 3 °C par rapport à la température de confort et à la température de l'air vicié extrait de l'habitation. ▪ En été, la température extérieure est supérieure de 3 °C par rapport à la température de confort et à la température de l'air vicié extrait de l'habitation.
Dérivation fermée	<ul style="list-style-type: none"> ▪ La température extérieure est inférieure à 10 °C. ▪ En été, la température extérieure est supérieure à la température de confort et à la température de l'air vicié extrait de l'habitation. ▪ En hiver, la température extérieure est inférieure à la température de confort et à la température de l'air vicié extrait de l'habitation.

9.2. Dispositif de protection contre le gel

AVERTISSEMENT !

L'unité Zehnder EVO détecte automatiquement la saison en cours.

Pour prévenir la formation de givre sur l'échangeur thermique lorsque les températures extérieures sont très basses, l'unité Zehnder EVO est équipée d'un dispositif de protection contre le gel.

Les capteurs mesurent les températures qui règnent au sein de l'échangeur thermique et, au besoin, les ventilateurs génèrent progressivement un déséquilibre croissant entre les flux. Lorsque la température atteint - 2 °C au sein de modèles Zehnder EVO 3 HRV et Zehnder EVO 3 ERV dépourvus de préchauffeur, ou bien - 16 °C au sein de modèles Zehnder EVO 3 HRV PR et Zehnder EVO 3 ERV PR équipés d'un préchauffeur, l'unité se met hors circuit pour prévenir tout endommagement de l'échangeur thermique, en vérifiant toutes les heures si la température est revenue à un seuil de fonctionnement sans risque.

EN

DE

IT

FR

NL

ET

LT

LV

10. Procédure de maintenance

Procédez régulièrement à l'exécution de toutes les procédures de maintenance préventive énumérées dans ce chapitre. Si vous ne procédez pas régulièrement à leur exécution, les performances du système de ventilation en souffriront.

Avant d'exécuter toute procédure de maintenance, laissez fonctionner l'unité de ventilation à la troisième vitesse de rotation du ventilateur pendant deux minutes au minimum afin de permettre l'évacuation des condensats présents dans l'échangeur thermique.

Si le remplacement d'un composant s'impose, commandez une pièce de rechange d'origine auprès de Zehnder et confiez l'exécution des travaux à un centre d'assistance technique agréé par Zehnder.

À l'exception du remplacement des filtres, toutes les interventions en maintenance doivent être effectuées par un personnel spécialisé.

Avant de vous livrer à toute opération de maintenance, débranchez systématiquement l'unité de ventilation de l'alimentation électrique, sauf indication contraire. En cas d'utilisation de cette unité alors qu'elle est ouverte, le risque de lésion corporelle est réel. Veillez à ce que tout démarrage accidentel soit exclu.

Prenez des mesures appropriées pour prévenir les décharges électrostatiques lorsque vous travaillez sur des circuits électroniques, car l'électricité statique peut les endommager de manière irréversible.

10.1. Maintenance des filtres à air

Cette procédure de maintenance est exécutable par l'utilisateur.

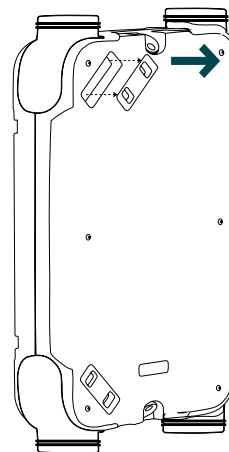
Il est recommandé de vérifier les filtres tous les trois mois. En cas d'encrassement grossier (insectes, fragments végétaux, etc.), il suffit de passer les filtres à l'aspirateur et de les remonter dans l'unité.

Il convient de procéder au remplacement des filtres tous les six mois au minimum.

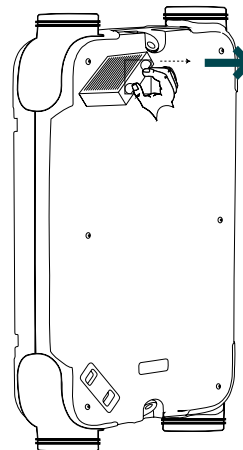
Procurez-vous à l'avance des filtres de rechange Zehnder, en prenant soin de vous assurer de leur authenticité.

1. En cas d'utilisation d'un dispositif EVO Sense, exécutez la procédure de remplacement des filtres à partir de ce dispositif. Sinon, mettez l'unité hors tension. Si l'unité est connectée à un dispositif de régulation EVO Switch ou Multi Control, n'oubliez pas de réinitialiser l'alarme de remplacement des filtres dès que la procédure est achevée.

2. Déposez les coiffes d'accès aux filtres.



3. Dégagez délicatement les filtres encrassés à l'aide des pattes prévues à cet effet. Si ces deux filtres ne sont pas identiques, consignez-en la position : les filtres ISO ePM1 et ISO Coarse s'installent respectivement dans les compartiments d'admission d'air extérieur et d'extraction d'air ambiant.



AVERTISSEMENT !

Il ne faut jamais utiliser l'unité Zehnder EVO sans filtres.

EN

DE

IT

FR

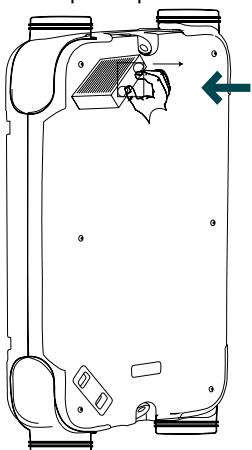
NL

ET

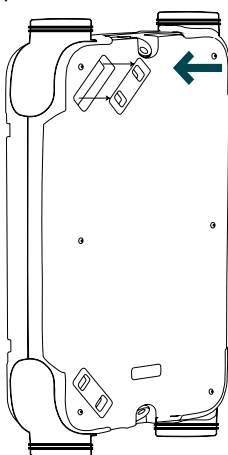
LT

LV


4. Remontez les filtres dans leurs compartiments respectifs en les positionnant comme indiqué au point 3.




5. Remontez les coiffes d'accès aux filtres sur leurs compartiments respectifs.



6. Achevez la procédure de remplacement des filtres ou redémarrez l'unité.

 **Lors du remplacement des filtres de l'unité, nettoyez également les filtres que présentent les clapets ou les grilles internes ainsi que les grilles extérieures d'évacuation de l'air vicié.**

 **Mettez les filtres encrassés au rebut comme autant de déchets non recyclables.**

10.2. Nettoyage de l'unité de ventilation

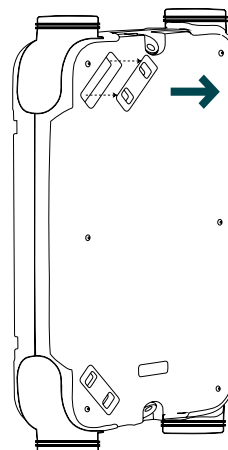
Il convient d'inspecter et de nettoyer tous les composants internes de l'unité EVO (échangeur thermique, ventilateurs, etc.) tous les deux ans.

AVERTISSEMENT !

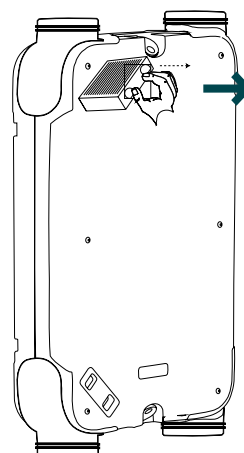
L'exécution de cette intervention en maintenance doit être confiée à un technicien qualifié, agréé Zehnder. Prenez contact avec le Centre d'assistance technique le plus proche

1. Débranchez le câble d'alimentation électrique.

2. Déposez les coiffes d'accès aux filtres.



3. Dégagez délicatement les filtres à l'aide des pattes prévues à cet effet. Si ces deux filtres ne sont pas identiques, consignez-en la position : les filtres ISO ePM1 et ISO Coarse s'installent respectivement dans les compartiments d'admission d'air extérieur et d'extraction d'air intérieur.



EN

DE

IT

FR

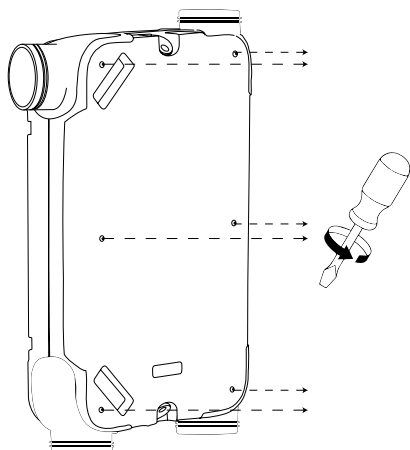
NL

ET

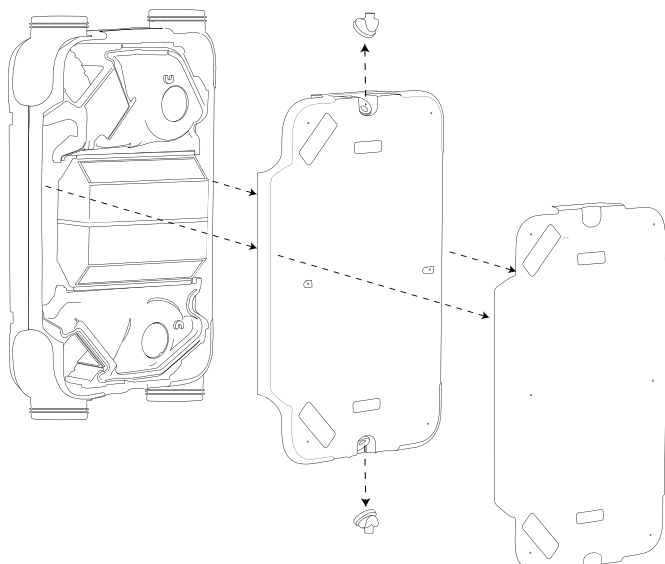
LT

LV

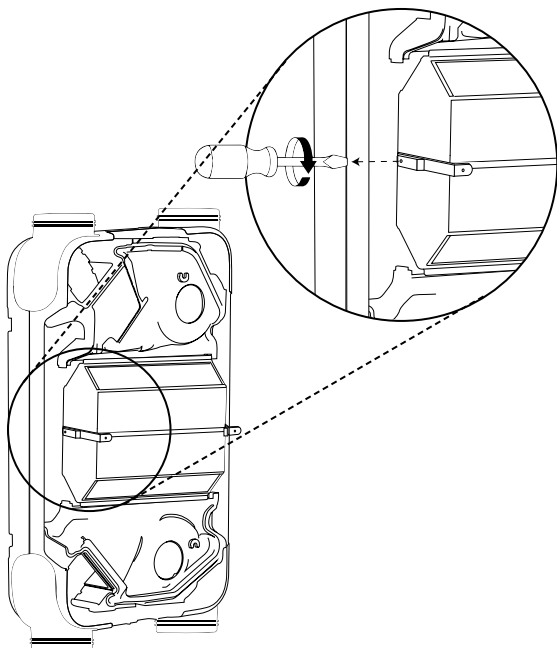
4. Déposez les vis de fixation du couvercle métallique extérieur.



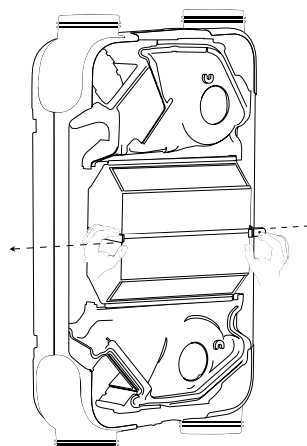
5. Déposez le couvercle métallique et le couvercle en polypropylène pour accéder à l'échangeur thermique, aux ventilateurs et au conduit de ventilation.



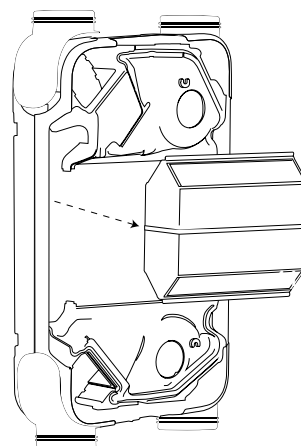
6. Démontez et déposez le support de montage gauche.



7. Séparez les supports de retenue de l'échangeur thermique, pour en autoriser la dépose.

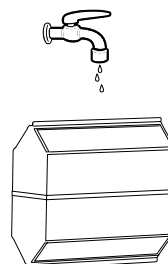


8. Déposez l'échangeur thermique



Déposez l'échangeur thermique en faisant preuve d'une attention particulière. L'échangeur thermique est susceptible de contenir une petite quantité de condensat.

9. Nettoyez l'échangeur thermique à l'eau courante



10. Assurez-vous de la propreté de l'intérieur visible de l'unité : compartiment de l'échangeur thermique, conduit de dérivation, éléments en polypropylène. Nettoyez-les au besoin avec un chiffon doux.

11. Passez les ventilateurs à l'aspirateur muni d'une brosse et assurez-vous de l'absence d'endommagement. S'ils sont endommagés, remplacez-les.

EN

DE

IT

FR

NL

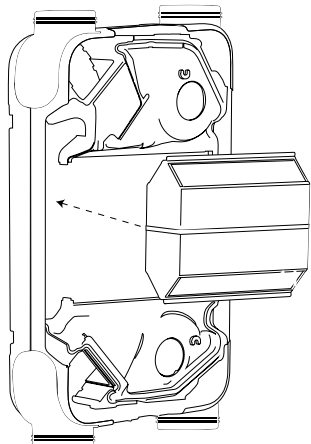
ET

LT

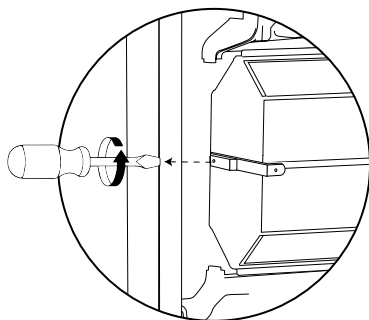
LV

12. Après l'achèvement des procédures de nettoyage, remontez l'unité.

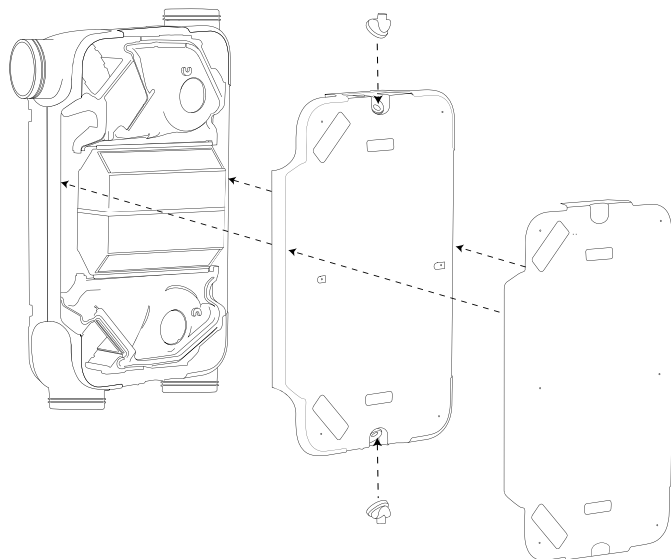
13. Réinstallez l'échangeur thermique dans son compartiment



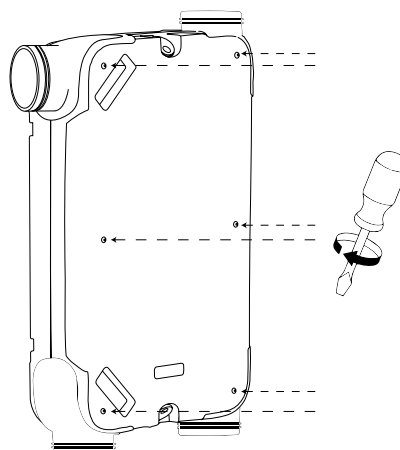
14. Remontez et revissez le support de montage gauche.



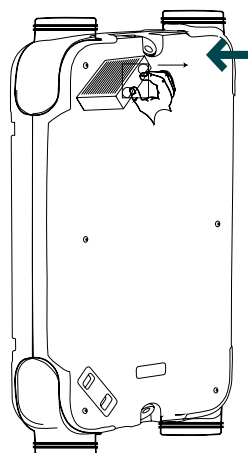
15. Remontez les couvercles en métal et en polypropylène.



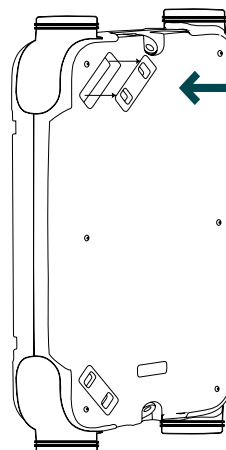
16. Resserrez les vis de fixation du couvercle métallique.



17. Remontez les filtres dans leurs compartiments respectifs en les positionnant comme indiqué au point 3



18. Remontez les coiffes d'accès aux filtres



Veillez à ce que le couvercle en polypropylène soit parfaitement aligné par rapport au fond de l'unité et à ce que l'on ne relève la présence d'aucun interstice sur les côtés. Dans le cas contraire, assurez-vous que les fils sont correctement insérés dans les rainures prévues à cet effet.

EN

DE

IT

FR

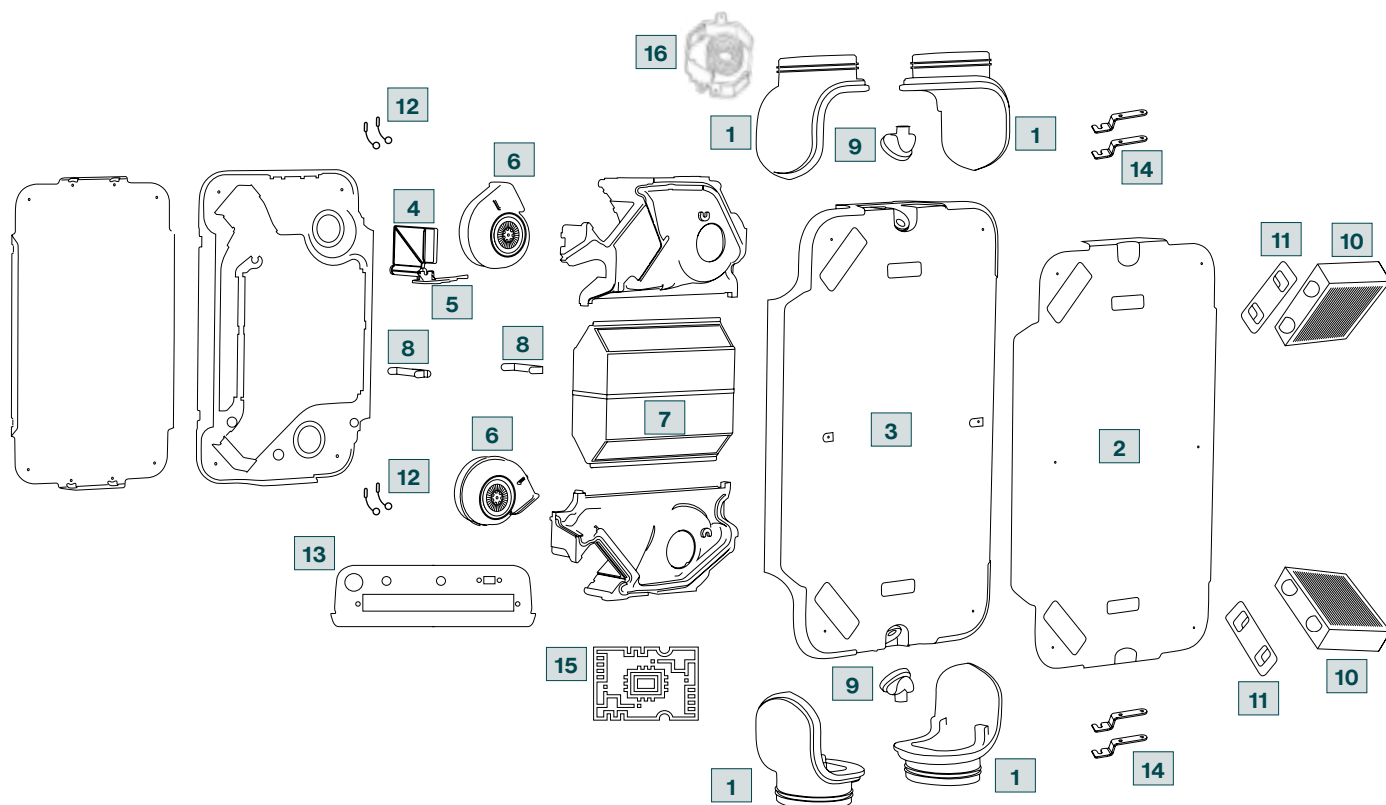
NL

ET

LT

LV

11. Vue d'ensemble de l'unité et description des composants



N°	Description des composants	Nombre de pièces
1	Raccords pivotants	4 pièces
2	Couvercle avant	1 pièce
3	Couvercle en polypropylène abritant les ventilateurs, l'échangeur thermique et l'électronique embarquée	1 pièce
4	Clapet de dérivation	1 pièce
5	Moteur du clapet de dérivation	1 pièce
6	Ventilateurs à haut rendement	2 pièces
7	Échangeur thermique à haut rendement et à récupération d'énergie	1 pièce
8	Supports de montage de l'échangeur thermique	2 pièces
9	Purgeur de condensats pivotant	2 pièces
10	Filtres à hautes performances	2 pièces
11	Coiffe d'accès à un filtre	2 pièces
12	Thermocouple	4 pièces
13	Bornier	1 pièce
14	Dispositif d'insonorisation	4 pièces
15	Carte à circuit intégré	1 pièce
16	Préchauffeur (*)	1 pièce

(*) Monté exclusivement sur les modèles Zehnder EVO 3 HRV PR et Zehnder EVO 3 ERV PR

1. Inhoudsopgave

1.	Inleiding	3
1.1.	Gebruik van de Zehnder EVO 3-unit	3
1.2.	Garantievoorwaarden	3
2.	Inleiding en veiligheid	3
2.1.	Inleiding	3
2.2.	Veiligheid	4
2.3.	Installatievoorwaarden	4
2.4.	Regels voor gebruik in ruimtes met open haarden	5
2.5.	Conformiteit	5
3.	Transport en levering	5
3.1.	Richtlijnen voor transportveiligheid	5
3.2.	Controleren van de geleverde artikelen	5
3.3.	Uitpakken van de ventilatie-unit	6
4.	Kenmerken van de EVO 3-unit	6
4.1.	Verbindingen	6
4.2.	Aanpassen van het model van "fabrieksversie" naar "spiegelversie"	7
4.3.	Opengewerkt diagram van de unit	7
4.4.	Technische specificaties	8
4.5.	Elektrische voorverwarmer modellen EVO 3 HRV PR en EVO 3 ERV PR	8
4.6.	Energie-efficiëntieklassen	8
4.7.	Prestatiegrafieken	9
4.8.	Werkpunten	9
4.9.	Werkingsprincipe van enthalpie-warmtewisselaar	9
4.10.	Akoestische gegevens	10

5.	Installatie	10
5.1.	Afmetingen	10
5.2.	Voorafgaande beoordelingen	10
5.3.	Installatie	11
5.4.	Plafondmontage	11
5.5.	Wandmontage	12
5.6.	Positionering van de aansluitingen	14
5.7.	Aansluiten van de condensafvoer	15
6.	Elektrische aansluitingen	16
7.	Bediening en connectiviteit	18
7.1.	Zehnder Multi-Control	18
7.2.	Zehnder EVO Sense draadloos	18
7.3.	Zehnder EVO Switch RF	18
7.4.	RF-CO ₂ -sensor	18
7.5.	RF-vochtigheidssensor	18
7.6.	Slimme connectiviteit	19
7.6.1.	EVO Connect-ModBus	19
7.6.2.	EVO Connect ModBus-KNX	19
8.	Inbedrijfstelling	20
9.	Bediening	20
9.1.	Werking van de bypass	20
9.2.	Vorstbeveiligingsvoorziening	20
10.	Onderhoudsprocedure	21
10.1.	Onderhoud van het luchtfilter	21
10.2.	Reinigen van de ventilatie-unit	22
11.	Overzicht van de unit en beschrijving van de componenten	25

EN

DE

IT

FR

NL

ET

LT

LV

1. Inleiding

Waarschuwing!



Lees deze handleiding zorgvuldig door voordat u met de installatie en inbedrijfstelling begint.


Dit document bevat de nodige informatie om de gebruiker te helpen de Zehnder EVO 3 gestuurde mechanische ventilatie-units veilig en optimaal te installeren, bedienen en onderhouden.

We noemen de Zehnder EVO 3 hierna soms ook wel de "ventilatie-unit".

Omdat onze producten voortdurend worden ontwikkeld en verbeterd, kan uw apparaat enigszins afwijken van de beschrijvingen in deze handleiding.

De recentste versie van de installatiehandleiding kunt u downloaden op de website van Zehnder.

We gebruiken de volgende pictogrammen:

Symbol	Betekenis
	Belangrijke opmerking
	Risico op schade aan het systeem of verminderde prestaties
	Risico op persoonlijk letsel

! ? Vragen

Voor vragen, de nieuwste versies van de handleidingen en informatie over Technische servicecentra kunt u contact opnemen met het hoofdkantoor van Zehnder.

Contactgegevens:

Zehnder Group Belgium nv/sa

Wayenborgstraat 21 - 2800 Mechelen - Belgium

info@zehnder.be - www.zehnder.be

Zehnder Group Nederland bv

Lingenstraat 2 - 8028 PM Zwolle - Nederland

info@zehnder.nl - www.zehnder.nl

1.1. Gebruik van de Zehnder EVO 3 - unit

- De ventilatie-unit en eventuele regelunits mogen uitsluitend worden bediend als ze zijn geïnstalleerd volgens de geldende nationale en lokale voorschriften, volgens de instructies in deze handleiding en de bedieningshandleiding.
- Het apparaat en de regelunit mogen niet worden gebruikt door personen (inclusief kinderen) met een lichamelijke, zintuiglijke of geestelijke beperking of zonder de vereiste ervaring en vaardigheden, tenzij ze onder toezicht staan van een verantwoordelijke persoon en de nodige instructies hebben

ontvangen voor een veilig gebruik.

- Kinderen mogen niet met de ventilatie-unit spelen.
- Kinderen mogen zonder toezicht geen handelingen aan de ventilatie-unit uitvoeren.

1.2. Garantievoorwaarden

De fabrikant geeft 24 maanden garantie op de ventilatie-unit vanaf de installatie of maximaal 30 maanden vanaf de productiedatum. Garantierechten kunnen uitsluitend worden uitgeoefend voor materiaal- en/of ontwerpfouten die binnen de garantieperiode optreden.

Bij garantiwerkzaamheden mag de ventilatie-unit niet worden geopend of gedemonteerd zonder schriftelijke toestemming van de fabrikant. De garantie geldt uitsluitend voor reparaties en onderdelen die worden uitgevoerd door een erkend Technisch servicecentrum en waarvoor originele Zehnder-reserveonderdelen worden gebruikt.

De garantie vervalt indien:

- de garantieperiode is verstreken;
- de ventilatie-unit werd gebruikt zonder origineel Zehnder-filter of zonder buitenmuurrooster.
- er geen originele Zehnder-reserveonderdelen zijn gebruikt;
- er ongeoorloofde wijzigingen of aanpassingen aan de ventilatie-unit zijn aangebracht;
- er gebreken zijn door onjuiste installatie, verkeerd gebruik of gebrekkig onderhoud.

2. Inleiding en veiligheid

2.1. Inleiding

Zehnder EVO 3 is een gestuurde mechanische ventilatie-unit met warmteterugwinning, die zorgt voor een constante, energiezuinige luchtverversing in kleine gebouwen, appartementen en woningen. De ventilatie-unit zuigt vochtige, muffe lucht af uit ruimtes zoals keukens en badkamers en levert tegelijkertijd dezelfde hoeveelheid verse lucht aan woonruimtes zoals woonkamers, slaapkamers, enz. Lucht circuleert via openingen onder de deuren of speciale ventilatieroosters met geluiddemper.

Het gestuurde mechanische ventilatiesysteem bestaat uit:

- de ventilatie-unit;
- kanalen voor de toevoer van buitenlucht en de afvoer van lucht uit de unit;
- secundaire leidingen voor verse en afgezogen lucht in de verschillende ruimtes;
- kleppen en roosters om verse lucht te leveren aan lounges, slaapkamers en andere leefruimtes;
- kleppen en roosters om muffe lucht uit keukens, badkamers en andere vochtige ruimtes af te zuigen;
- buitenmuurroosters voor luchttoevoer en -afvoer.

EN

DE

IT




FR

NL

ET

LT


LV


-  Lees de handleiding voordat u de ventilatie-unit gaat gebruiken.
-  Zorg ervoor dat de openingen onder de deuren en de roosters nooit geblokkeerd worden, zodat de lucht door het gebouw kan circuleren.
-  Er kan zich condens vormen aan de buitenzijde van de ventilatie-unit. Als dit gebeurt, hoeft u geen actie te ondernemen.
-  De ventilatie-unit moet op een milieuvriendelijke manier worden afgevoerd. Gooi het apparaat niet weg met het huisvuil.


2.2. Veiligheid


Lees alle veiligheidsinstructies zorgvuldig door voor een veilig en correct gebruik van de ventilatie-unit.

-  **WAARSCHUWING!** Gevaarlijke elektrische spanning. In geval van een natuurramp dient u de stroomtoevoer uit te schakelen.
-  **Houd u aan de veiligheidsregels, voorzorgsmaatregelen en instructies in deze handleiding. Als u zich hier niet aan houdt, kan dit schade aan de unit of persoonlijk letsel tot gevolg hebben.**
-  **Tenzij anders aangegeven in de instructies, dienen de installatie, inbedrijfstelling en het onderhoud te worden uitgevoerd door gespecialiseerde technici.**
-  **Open de ventilatie-unit niet. De gespecialiseerde technicus moet ervoor zorgen dat alle onderdelen die persoonlijk letsel kunnen veroorzaken, veilig in het apparaat zijn geplaatst.**
-  **De unit moet op elk moment operationeel zijn, tenzij anders gevraagd in deze handleiding. Anders kan zich vocht ophopen en kan er schimmel ontstaan.**
-  **Het is verboden wijzigingen aan te brengen aan de ventilatie-unit en de daarop aangesloten regelunits. Fysieke of softwarematige wijzigingen kunnen leiden tot verlies van de garantiedekking en tot storingen of persoonlijk letsel.**
-  **Indien de stroomkabel beschadigd is, dient deze vervangen te worden door een door Zehnder geautoriseerde vakman.**

 **Bij de installatie dient u zich te houden aan de geldende nationale en lokale voorschriften en aan deze handleiding. Installeer een veiligheidsschakelaar om de stroomtoevoer uit te schakelen.**

 **Koppel de ventilatie-unit altijd los van het elektriciteitsnet voordat u onderhouds- of reparatiewerkzaamheden uitvoert. Zorg ervoor dat het apparaat niet per ongeluk opnieuw kan opstarten.**

 **Start de ventilatie-unit niet op als deze open is: de elektrische spanning en de beweging van de ventilatoren kunnen persoonlijk letsel veroorzaken.**

 **Neem passende maatregelen om elektrostatische ontladingen te voorkomen wanneer u aan de unit werkt. Statische elektriciteit kan elektrische componenten beschadigen.**

2.3. Installatievoorwaarden

De ventilatie-unit is ontworpen voor gebruik in woningen, kantoren, kleine werkplaatsen en soortgelijke locaties, op voorwaarde dat:

- er geen sauna's of zwembaden zijn;
- de luchtvochtigheid niet te hoog is;
- de stofniveaus niet buitensporig zijn;
- er geen schadelijke of potentieel corrosieve stoffen aanwezig zijn.

Controleer om te bepalen of de ventilatie-unit op de beoogde locatie kan worden gebruikt, of:

- er een elektriciteitsaansluiting van 230 V, 50 Hz aanwezig is; elke andere bedrijfsspanning of -frequentie kan onherstelbare schade aan het apparaat veroorzaken;
- de kamertemperatuur op elk moment binnen het toegestane bereik ligt (zie tabel "Technische specificaties");
- de luchtvochtigheid in de kamer niet te hoog is, niet-condenserend is en op elk moment binnen het toegestane bereik ligt (zie tabel "Technische specificaties"). Installeer de sensor niet op plaatsen met een bovengemiddelde luchtvochtigheid, zoals badkamers of kleedkamers.

Controleer of er voldoende ruimte is voor het luchtverdeelsysteem in de opstellingsruimte.

Zorg ervoor dat de ventilatie-unit volledig toegankelijk is, zodat onderhoudsprocedures kunnen worden uitgevoerd.

Zehnder EVO 3 kan met behulp van de meegeleverde montagebeugels aan de wand of het plafond worden geïnstalleerd.

 **Raadpleeg het specifieke gedeelte voor meer informatie over de verschillende installatieopties.**

EN

DE

IT

FR

NL

ET

LT

LV

2.4. Regels voor gebruik in ruimtes met open haarden

Voor een veilig gebruik van de ventilatie-unit dienen de lokale voorschriften, wetten en richtlijnen in acht te worden genomen. Zehnder EVO 3 mag uitsluitend worden geïnstalleerd in recreatieruimtes, appartementen of soortgelijke gebouweenheden waar open haarden of andere verbrandingssystemen zijn geïnstalleerd die werken op de omgevingslucht, indien:

- veiligheidsvoorzieningen de gelijktijdige werking van sfeerkachels op omgevingslucht en het luchtafzuigstelsel verhinderen.
- of
- de uitstroom van rookgassen uit het verbrandingssysteem op omgevingslucht wordt bewaakt door speciale veiligheidsvoorzieningen. Bij verbrandingssystemen met vloeibare of gasvormige brandstoffen moet het verbrandingssysteem of het ventilatiesysteem worden uitgeschakeld als de veiligheidsvoorziening in werking treedt. Bij verbrandingsinstallaties met vaste brandstoffen moet het ventilatiesysteem worden uitgeschakeld als de veiligheidsvoorziening in werking treedt.


Gestuurde mechanische ventilatie-units kunnen niet worden geïnstalleerd als de gebouweenheid verbrandingssystemen bevat die gebruikmaken van omgevingslucht en die zijn aangesloten op rookgasafvoersystemen met meerdere aansluitingen. Voor een correcte werking moeten bij open verbrandingskamers de verbrandingsluchtkanalen en de rookgasafvoersystemen kunnen worden afgesloten.

Vaste brandstofhaarden moeten met een blusvoorziening kunnen worden geblust die uitsluitend handmatig kan worden bediend. De positie van de uitschakelinrichting moet duidelijk zichtbaar zijn vanaf de positie van de bedieningshendel. Aan deze eis wordt voldaan indien er gebruik wordt gemaakt van een beveiliging tegen roetvorming (roetfilter).

Brandveiligheidseisen: Bij de installatie van het gestuurde mechanische ventilatiesysteem dienen de nationale en lokale voorschriften inzake installatie en brandbeveiliging in acht te worden genomen.

2.5. Conformiteit

De Zehnder EVO ventilatie-units van de fabrikant

 **Siber Zone S.l.u.**
C/Can Marcia 2
08520 Las Frenquesas des Vallés
Apto de Correos n°9
Barcelona, Spanje

voldoen aan de richtlijnen en voorschriften van de EU-conformiteitsverklaring en het EAC-certificaat.

3. Transport en levering

3.1. Richtlijnen voor transportveiligheid



De toegestane temperatuur voor opslag en transport ligt tussen -20 °C en 50 °C.



Lees de veiligheidsinformatie en instructies voordat u de ventilatie-unit transporteert.



Draag de ventilatie-unit altijd met de hulp van iemand anders. De ventilatie-unit moet met zorg worden behandeld tijdens het transport en het uitpakken.



De randen van de ventilatie-unit kunnen scherp zijn. Draag beschermende handschoenen om snijwonden te voorkomen.

3.2. Controleer de geleverde artikelen

De doos bevat:

- Zehnder EVO 3 ventilatie-unit;
- Beknopte installatiegids;
- EcoDesign-label;
- Installatiebeugels;
- Zakje met trillingsdempers en bevestigingsschroeven.

Controleer het typeplaatje om er zeker van te zijn dat de geleverde unit de juiste is:

- EVO 3 HRV: unit met gevoelige warmtewisselaar;
- EVO 3 ERV: unit met enthalpie-warmtewisselaar;
- EVO 3 HRV PR: unit met gevoelige warmtewisselaar en elektrische voorverwarmer;
- EVO 3 ERV-PR: unit met enthalpie-warmtewisselaar en elektrische voorverwarmer.



Indien er sprake is van zichtbare schade aan de ventilatie-unit of ontbrekende accessoires, neem dan onmiddellijk contact op met de leverancier.

De Zehnder EVO 3 ventilatie-unit wordt geleverd zonder instelaccessoires. Raadpleeg het relevante gedeelte voor de optionele accessoires.

EN

DE

IT

FR

NL

ET

LT

LV

3.3. Uitpakken van de ventilatie-unit

Open de bovenkant van de kartonnen verpakking. Haal de ventilatie-unit uit de verpakking en leg deze op een schone, zachte ondergrond om beschadigingen te voorkomen. Bewaar de kartonnen doos als mal voor het boren van de gaten die nodig zijn tijdens de installatie van het apparaat.



Ga voorzichtig om met de ventilatie-unit. Er zijn twee personen nodig om de unit op te tillen. Pak de unit niet vast bij de bevestigingen om schade aan de bevestigingen te vermijden.



Gooi het verpakkingsmateriaal op een milieuvriendelijke manier weg.



Zorg ervoor dat u de meegeleverde accessoires niet kwijtraakt.

4. Kenmerken van de EVO 3-unit

De Zehnder EVO 3-unit is een mechanische ventilatie-unit met dubbele luchtstroomregeling en een rendement tot 88,9 % (prestatieverklaring volgens EU 1254/2014), met een maximaal ventilatiedebiet van 300 m³/u, energiebesparende ventilatoren en automatische bypass om "vrije koeling" mogelijk te maken.

Kenmerken van de EVO 3-unit:

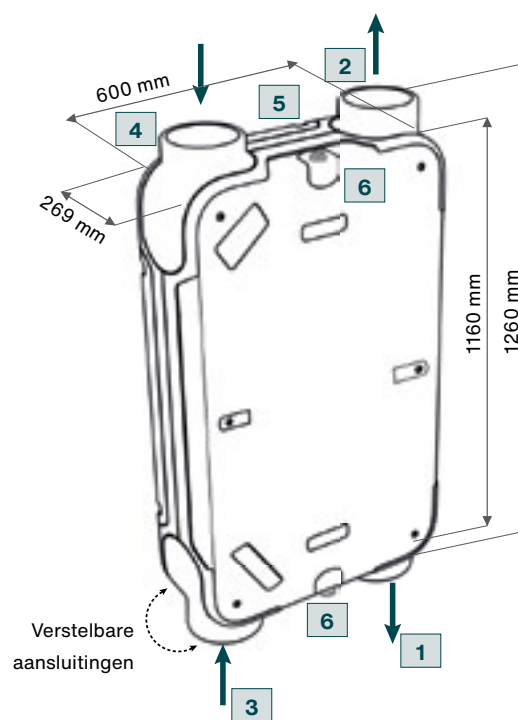
- continue aanpassing van de luchtstromen via het bedieningspaneel;
- filterstatusindicator;
- slim vorstbeveiligingssysteem om een optimale werking te garanderen, zelfs bij lage temperaturen. Indien de gekochte unit een "PR"-uitvoering is, wordt de elektrische voorverwarmer indien nodig geactiveerd;
- laag geluidsniveau;
- automatische bypass standaard inbegrepen;
- regeling met constant debiet;
- hoge prestaties en laag energieverbruik.

Zehnder EVO 3 is verkrijgbaar in 4 uitvoeringen:

- EVO 3 HRV: unit met gevoelige warmtewisselaar;
- EVO 3 ERV: unit met enthalpie-warmtewisselaar;
- EVO 3 HRV PR: unit met gevoelige warmtewisselaar en elektrische voorverwarmer;
- EVO 3 ERV-PR: unit met enthalpie-warmtewisselaar en elektrische voorverwarmer.

Deze installatie-instructies gelden voor alle uitvoeringen van de Zehnder EVO 3-unit.

4.1. Aansluitingen



Legenda bij de standaardconfiguratie "fabrieksversie"

Symbol	Betekenis
1	Stroom van verse lucht in het appartement
2	Afvoer van muffe lucht naar buiten
3	Afzuiging van muffe lucht uit appartement
4	Toevoer van verse buitenlucht
5	Elektrische aansluitingen
6	Condensafvoer *

* De EVO 3 HRV- en EVO 3 HRV PR-units moeten op het condensafvoersysteem worden aangesloten. Raadpleeg het betreffende gedeelte voor meer informatie.

EN

DE

IT

FR

NL

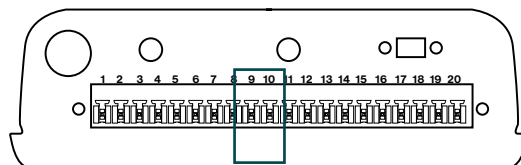
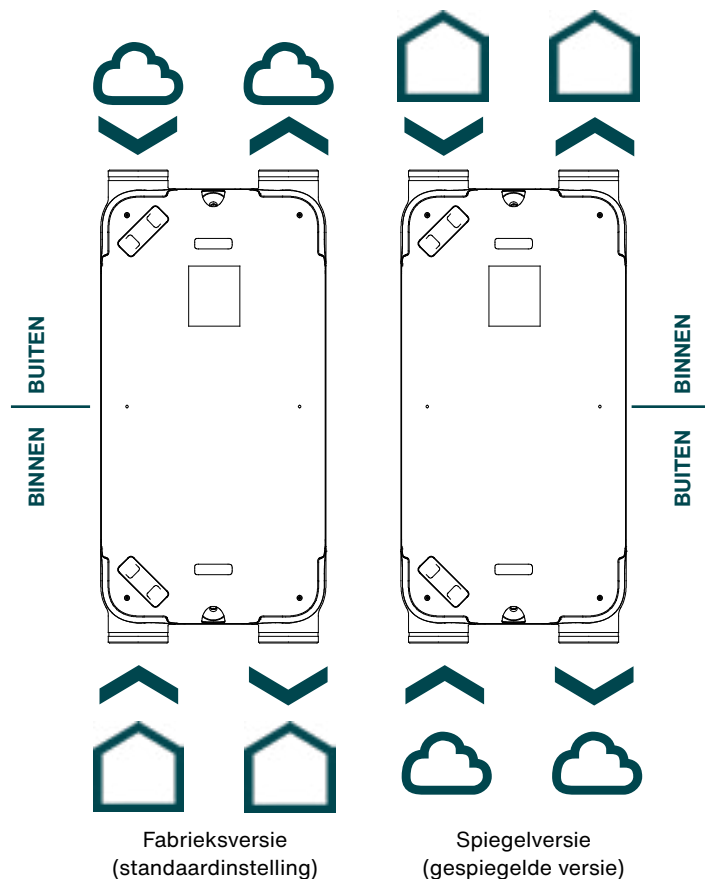
ET

LT

LV

4.2. Het model aanpassen van "fabrieksversie" naar "spiegelversie"

Het volstaat om een jumper over de connectoren 9 en 10 te plaatsen om de instelling van "fabrieksversie" naar "spiegelversie" te veranderen.



BELANGRIJK!

Als de unit aan de wand wordt bevestigd, mag deze **ALLEEN** met de elektrische aansluitingen naar boven gericht worden geïnstalleerd. De unit met warmtewisselaar (HRV) **MOET** worden geïnstalleerd met de aansluiting voor buitenluchtinlaat en afvoerluchtuitlaat naar beneden gericht (de zogenaamde "spiegelversie").

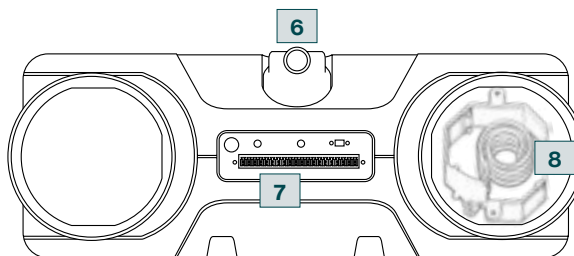
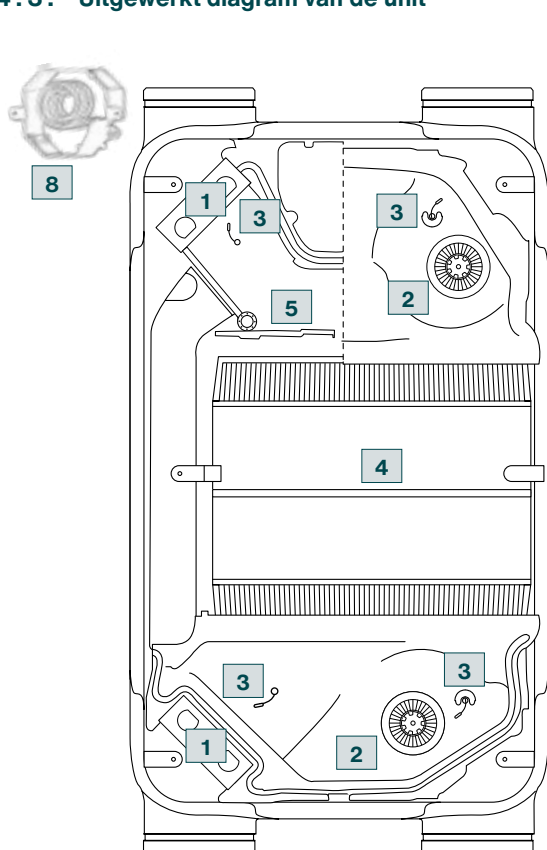
Raadpleeg het betreffende gedeelte.

BELANGRIJK!

Wijziging van het model van "fabrieksversie" naar "spiegelversie" is niet mogelijk voor de modellen:

EVO 3 HRV PR en EVO 3 ERV PR

4.3. Uitgewerkt diagram van de unit








Symbol	Betekenis
1	Hoogwaardige filters
2	Energiebesparende ventilatoren
3	Temperatuursensoren
4	Hoogrendementswarmtewisselaar
5	Automatische bypass
6	Condensafvoer *
7	Elektrische aansluitingen
8	Voorverwarmer **

*De EVO 3 HRV- en EVO 3 HRV PR-units moeten op het condensafvoersysteem worden aangesloten.

** Standaard inbegrepen bij de modellen EVO 3 HRV PR en EVO 3 ERV PR

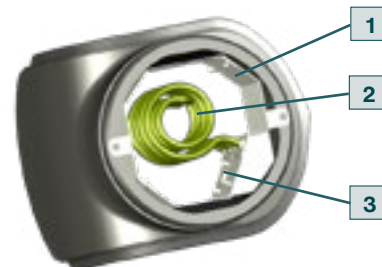
4.4. Technische specificaties

Zehnder EVO 3					
Afmetingen (lengte x breedte x diepte)	1160x600x269 mm				
Gewicht	36 kg				
Installatie	Horizontaal in het plafond of verticaal aan de wand(*)				
Omgevingstemperatuurbereik installatie	van 10 tot 45 °C				
Omgevingsvochtigheidsbereik installatie	< 90 % niet-condenserend				
Condensafvoeraansluiting (Ø)	1/2"				
Grootte van de luchtaansluitingen (Ø)	Ø 160				
Netspanning	230 V / 50 Hz				
Maximale luchtstroom	300 m³/h / 83.2 l/s				
	Zehnder EVO 3 HRV		Zehnder EVO 3 ERV		
Standaardfilters	2x ISO Coarse 65 % (G4) voor toevoer en afvoer				
Optionele filters	ISO ePM1 55 % (F7) / ISO Coarse 65 % (G4) voor toevoer en afvoer				
Ventilatiemodus					
Besturing ComfoSense S	0	1	2	3	Boost
Ventilatiedebiet (m³/u)	90	120	180	240	300

(*) Zie het betreffende gedeelte voor opties en voorzorgsmaatregelen voor het aan de wand monteren van de unit

4.5. Elektrische voorverwarmer modellen EVO 3 HRV PR en EVO 3 ERV PR

De elektrische voorverwarmer is standaard gemonteerd op de modellen EVO 3 HRV PR en EVO 3 ERV PR, op de toevoeraansluiting voor buitenlucht. De temperatuur van de binnenkomende lucht wordt met 10 °C verhoogd, waardoor de terugwinningseenheid op de koudste dagen van het jaar wordt beschermd. NL: Waar mogelijk is het raadzaam om een extra externe filter te installeren om te voorkomen dat vuil zich ophoopt op het voorverwarmingselement.



1. Verwarmingselementen in AISI304L roestvrij staal
2. Vermogen 1 kW
3. Automatische uitschakeling bij 40 °C voorkomt oververhitting

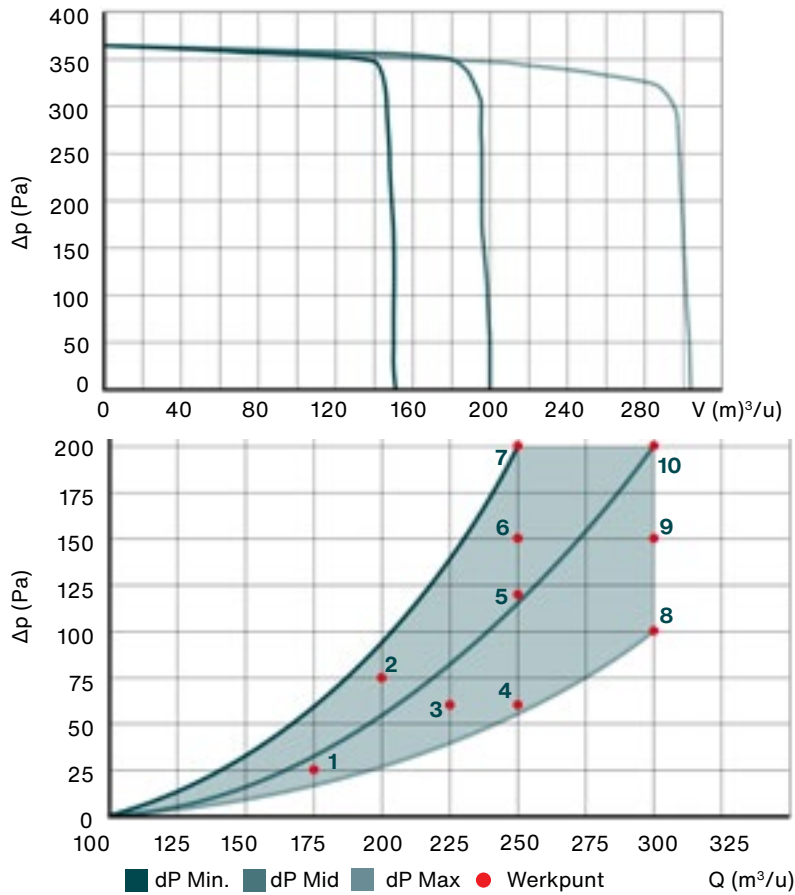
4.6. Energie-efficiëntieclassen

Energie-efficiëntieclassen conform Verordening nr. van de Europese Unie. 1254/2014.

Energiegegevens		Energiegegevens	
EU-energieverbruiksetiket voor EVO 3 HRV		EU-energieverbruiksetiket voor EVO 3 ERV	
Energie-efficiëntieklasse	A+ **	Energie-efficiëntieklasse	A **
Maximale volumeluchtstroom [m³/u]	300	Maximale volumeluchtstroom [m³/u]	300
Gecertificeerde energie-efficiëntie	88,9 %	Gecertificeerde energie-efficiëntie	74,3 %
Geluidsvermogensniveau LWA dB(A)	45	Geluidsvermogensniveau LWA dB(A)	45

** afhankelijk van de gekozen regelunit/het gekozen type sensoren.

4.7. Prestatiegrafieken

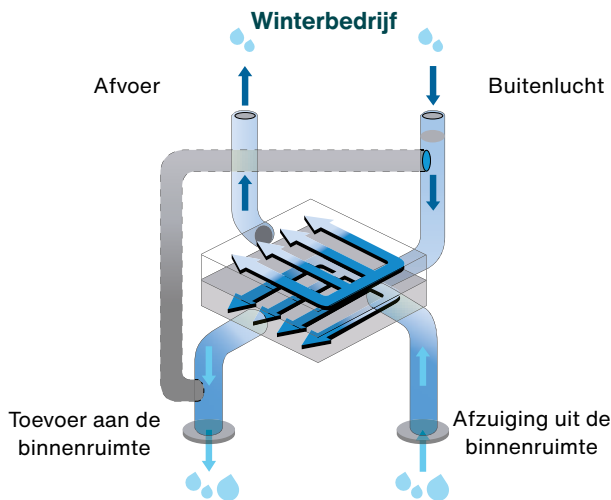


- lage ventilatorsnelheid
- gemiddelde ventilatorsnelheid
- hoge ventilatorsnelheid

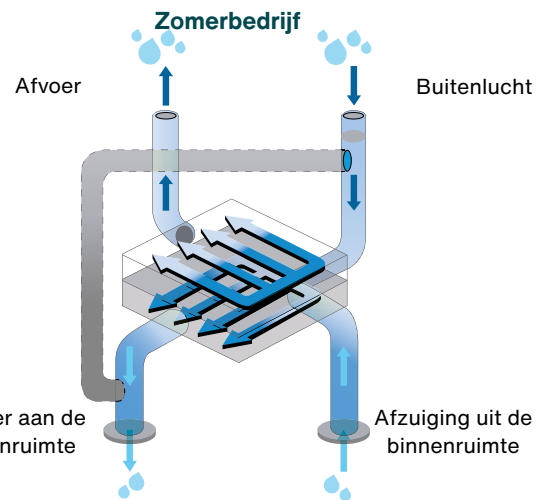
4.8. Werkpunten

Werkpunten				
Punt	Debiet [m³/u]	Druk [Pa]	Vermogen [W]	SFP [W/l/s]
1	175	25	28	0,58
2	200	75	56	1,01
3	225	60	66	1,06
4	250	60	84	1,21
5	250	120	106	1,53
6	250	150	113	1,63
7	250	200	151	2,17
8	300	100	133	1,60
9	300	150	146	1,75
10	300	200	153	1,84

4.9. Werkingsprincipe van enthalpie - warmtewisselaar



In de winter wordt de warme, vochtige lucht uit de keuken en badkamer uit de woning afgezogen. In de warmtewisselaar komt deze lucht in aanraking met koude, zeer droge buitenlucht en geeft ze haar warmte en een deel van haar vochtigheid aan de buitenlucht af. Dit betekent dat buitenlucht in de ruimte wordt geblazen met een temperatuur en luchtvochtigheid die het hoogste niveau van binnencomfort garanderen, zonder dat de lucht buitensporig uitdroogt. Dankzij de enthalpie-warmtewisselaar behoudt het verwarmingssysteem de ideale luchttemperatuur, zelfs bij het koudste weer. In de zomer wordt koude, ontvochtigde lucht uit de binnenruimte



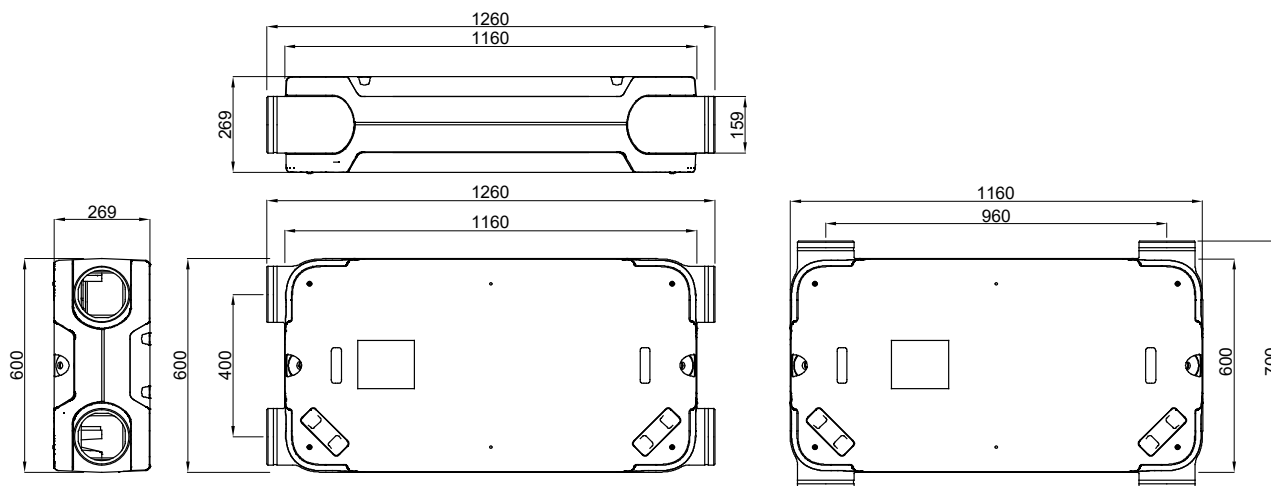
afgezogen. In de warmtewisselaar komt de warme, vochtige buitenlucht in aanraking met de buitenlucht, waardoor deze wordt voorgekoeld en voorontvochtigd. Zo draagt de ventilatie-unit bij aan het actieve koel- en ontvochtigingssysteem om het binnenklimaat te behouden, met een zeer laag energieverbruik. De enthalpie-warmtewisselaar is ideaal voor nabehandeling van de lucht, als luchtontvochtiger in combinatie met de unit voor stralingskoeling of voor airconditioning en ventilatie.

4.10. Akoestische gegevens

		Geluidsniveaus							
Referentiedebiet	m ³ /h	90	150	200	300				
Referentie-opvoerhoogte	Pa	50	50	100	80	150	100	200	
Geluidsvermogen L _w (A)	Geluidsuitvoer unit	dB(A)	36	40	44	46	49	52	54
	Afzuigkanaal	dB(A)	38	42	46	47	50	54	56
	Toevoerkanaal	dB(A)	53	55	60	61	64	67	69
Geluidsdruk L _p (A) op 1,5 m	Geluidsuitvoer unit	dB(A)	21	25	29	31	34	37	39

5. Installatie

5.1. Afmetingen



5.2. Voorlopige beoordelingen



Koppel de stroomtoevoer los voordat u een montage- of demontageprocedure uitvoert.



Zorg ervoor dat de unit niet in contact komt met water of waterspatten.



Houd kinderen en huisdieren tijdens de installatie uit de buurt van de installatieplek.



Zorg ervoor dat er voldoende ruimte is voor onderhoud rondom, voor en/of onder de unit.

De ventilatie-unit moet door twee personen worden geïnstalleerd om schade te vermijden.

Zehnder EVO 3 kan met de meegeleverde montagebeugels direct aan de wand of het plafond worden gemonteerd.

Om trillingen te voorkomen, moet de unit worden geïnstalleerd op een wand of plafond met een dichtheid van minimaal 200 kg/m²; Een betonnen of metalen constructie alleen is niet voldoende. In dit geval zijn aanvullende maatregelen nodig, zoals dubbele verstevigingsplaten of extra beugels.

De unit moet verticaal of horizontaal worden genivelleerd (afhankelijk van de installatiepositie) om trillingen en lawaai van de ventilator te voorkomen.

5.3. Installatie



Installeer de unit niet buiten. Controleer of de temperatuur en de luchtvochtigheid in de installatieomgeving op elk moment binnen de toegestane bedrijfsbereiken vallen.

De ventilatie kan horizontaal (op plafondbeugels) of verticaal (op wandbeugels) worden geïnstalleerd.

Indien gekozen wordt voor een EVO 3 HRV of EVO 3 HRV PR, dient de opstellingsplaats te beschikken over een doeltreffend condensafvoersysteem met sifon en voldoende afschot. Dit systeem moet op elk moment vrij zijn van verstoppingen en beschermd zijn tegen vorst, zodat het condenswater continu correct kan worden afgevoerd.



Zorg ervoor dat het afschot van de condenswaterafvoer niet evenwijdig loopt aan of terugloopt naar het apparaat.

Bij EVO 3 ERV of EVO 3 ERV PR is geen condensafvoer nodig.

De installatieplaats moet voldoende ruimte bieden voor zowel routineonderhoud (vervangen van het filter) als buitengewoon onderhoud (openen van de unit, afzuigen en reinigen van de wisselaar en ventilatoren, enz.).

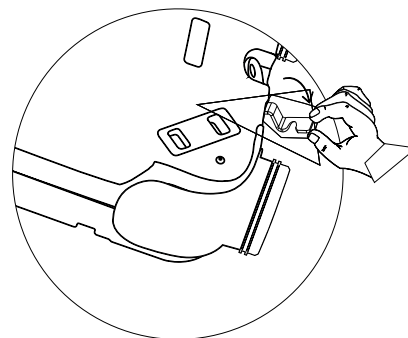
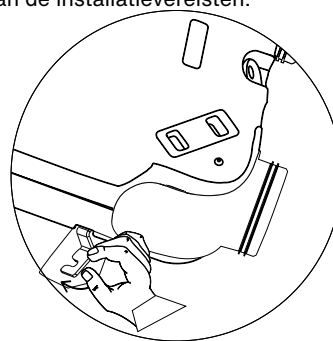


De unit is ontworpen voor montage aan de wand of het plafond. Hij KAN NIET op een vloer worden geïnstalleerd.

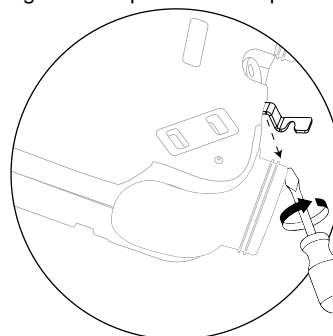
5.4. Plafondmontage

1. 1. De unit wordt geleverd met montagebeugels, die in een aparte plastic zak in de verpakking van de unit zitten.

- Plaats de montagebeugels aan de lange of korte zijde, afhankelijk van de installatievereisten.

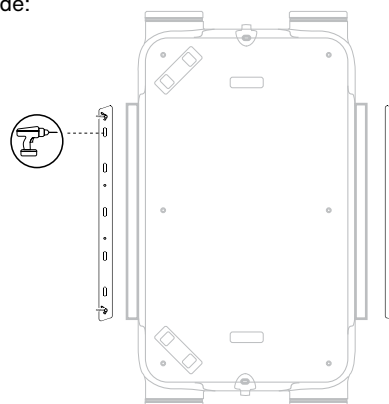


- Schroef de beugels vast op hun nieuwe plaats.



2. Boor gaten in het oppervlak zoals gemarkeerd en schroef de montagebeugels in de ovale gaten.

- Lange zijde:



EN

DE

IT

FR

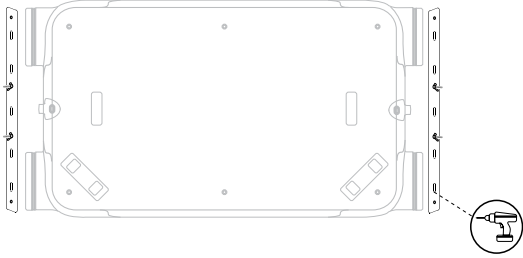
NL

ET

LT

LV

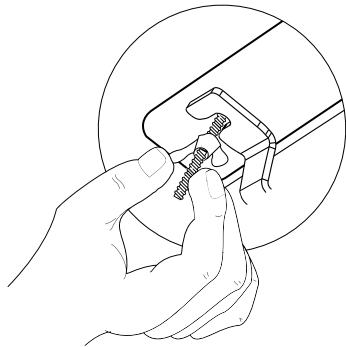
▪ Korte zijde:



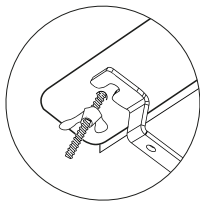
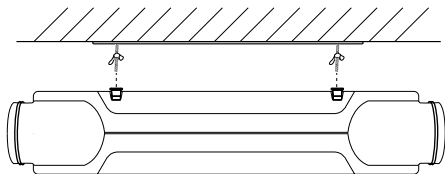
BELANGRIJK!

De afstand tussen de beugels moet aan de lange zijden 630 mm zijn (standaarduitvoering) en aan de korte zijden 1195 mm.

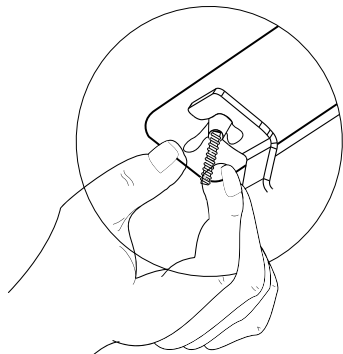
3. Draai de vleugelmoeren los totdat ze nog maar 1 cm op de draad zitten.



4. Plaats de unit boven op de geleider en schuif hem verder totdat hij vastklikt op de draadstang.



5. Draai de vleugelmoeren weer vast om de unit aan de beugel te bevestigen.



5.5. Wandmontage

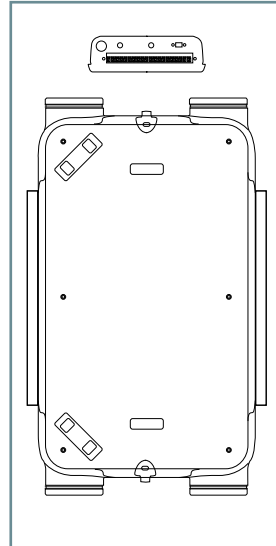


De unit moet verticaal worden geïnstalleerd en waterpas op het verticale vlak worden gezet voor een effectieve condensafvoer.

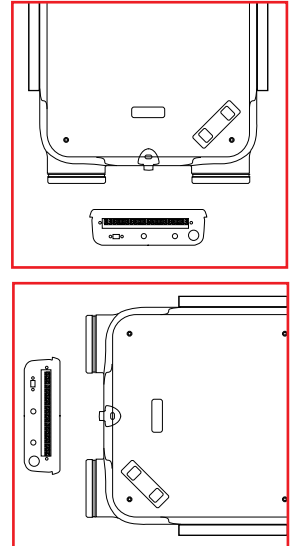


Installeer de unit **ALLEEN** met de connector van de besturingsprintplaat naar boven gericht. De unit kan niet ondersteboven worden geïnstalleerd, met de connector naar beneden gericht.

Juiste installatie

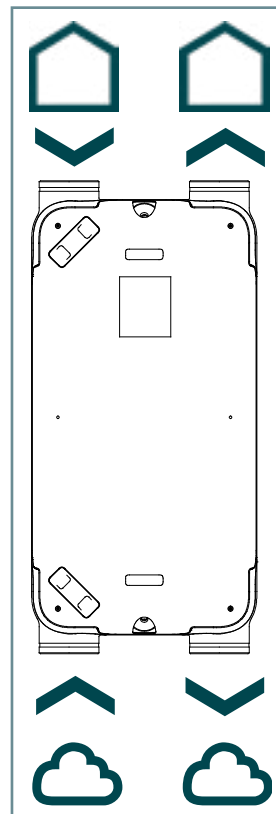


ONJUISTE installaties

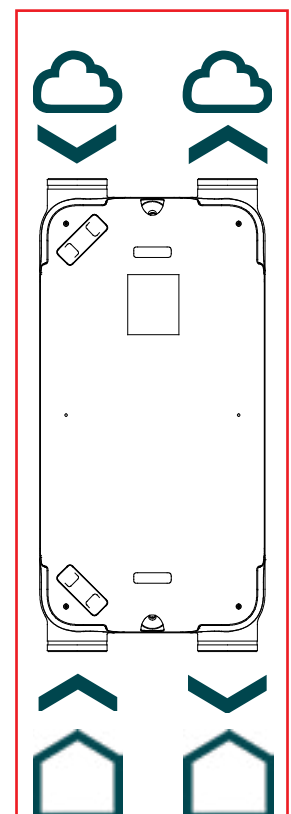


Installeer de unit met de gevoelige warmtewisselaar (HRV) **ALLEEN** in de "spiegelversie", met de aansluitpunten voor de toevoer van buitenlucht en de afvoer van muffe lucht naar beneden gericht.

Juiste installatie



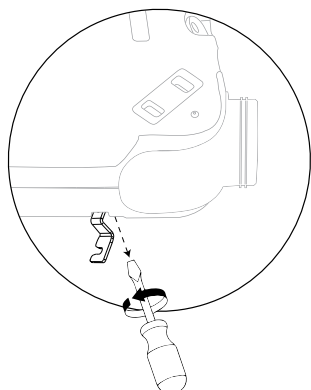
ONJUISTE installatie



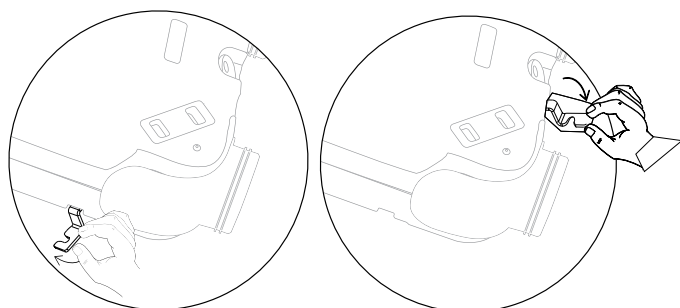
- EN
- DE
- IT
- FR
- NL**
- ET
- LT
- LV

1. Het apparaat wordt geleverd met de montagebeugels aan de lange zijde voormonteerd. Ga als volgt te werk om ze naar de korte zijde te verplaatsen.

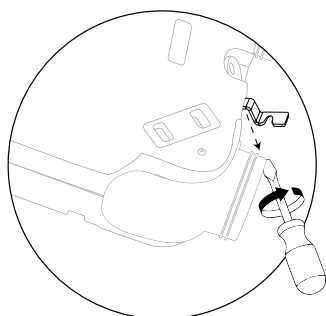
- Schroef de beugels los.



- Verplaats de beugels naar de korte zijde en behoud hun positie.

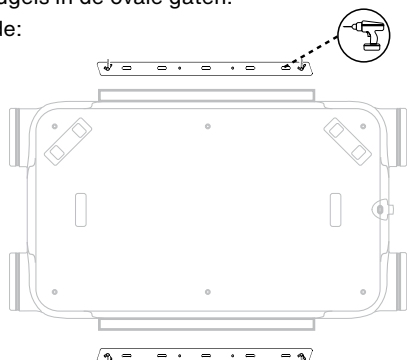


- Schroef de beugels vast op hun nieuwe plaats.

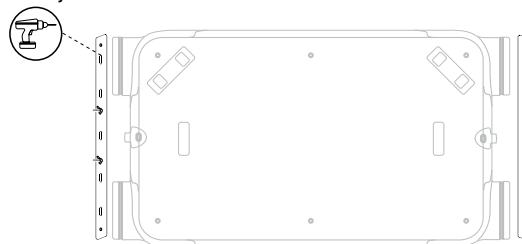


2. Boor gaten in het oppervlak zoals gemarkeerd en schroef de montagebeugels in de ovale gaten.

- Lange zijde:



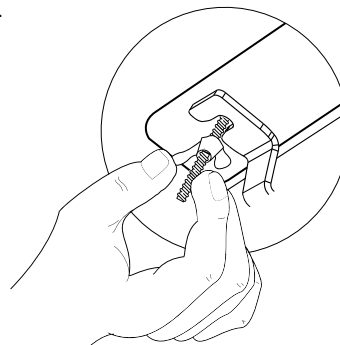
- Korte zijde:



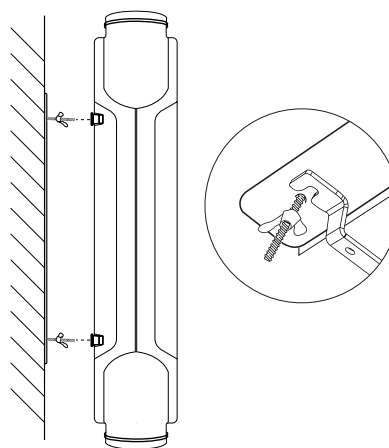
BELANGRIJK!

De afstand tussen de beugels moet aan de lange zijden 630 mm zijn (standaarduitvoering) en aan de korte zijden 1195 mm.

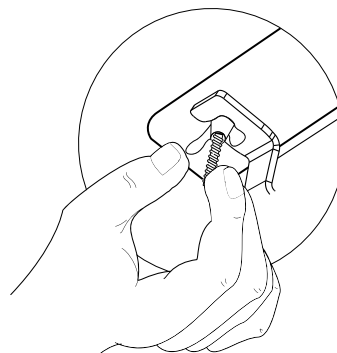
3. Draai de vleugelmoeren los totdat ze nog maar 1 cm op de draad zitten.



4. Plaats de unit boven op de geleider en schuif hem verder totdat hij vastklikt op de draadstang.



5. Draai de vleugelmoeren weer vast om de unit aan de beugel te bevestigen.

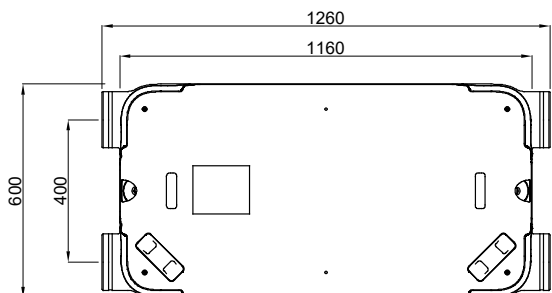


- EN
- DE
- IT
- FR
- NL**
- ET
- LT
- LV

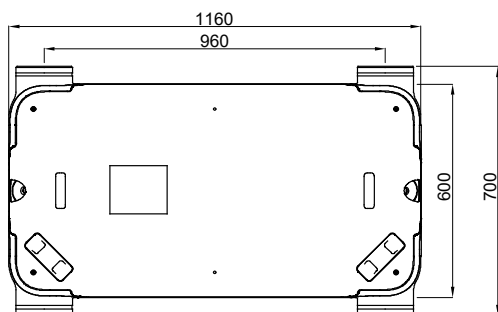
5.6. Positioneren van de aansluitingen

Hieronder ziet u hoe u de aansluitstukken voor luchtverdeling moet draaien.

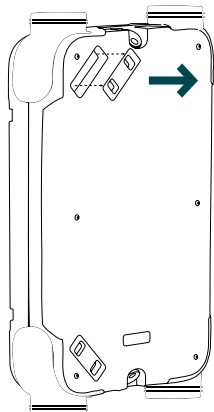
- Standaardconfiguratie:



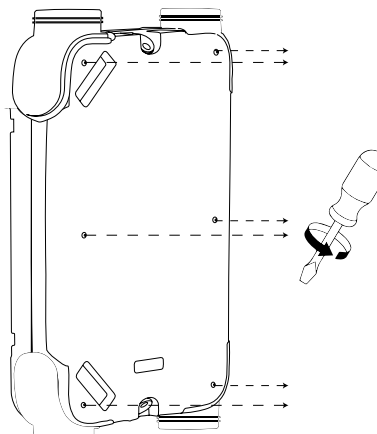
- Configuratie met 90° gedraaide aansluitingen:



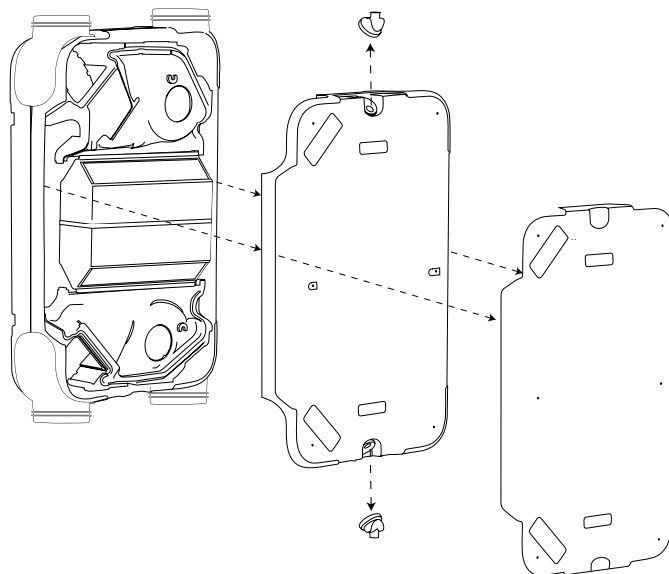
1. Verwijder de filterdoppen



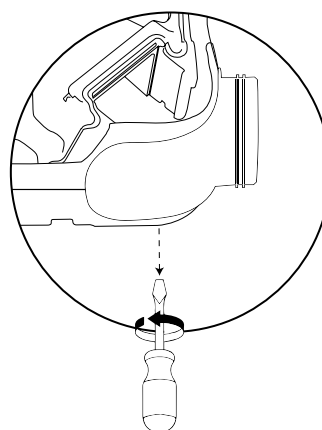
2. Draai de buitenste schroeven op de afdekking los



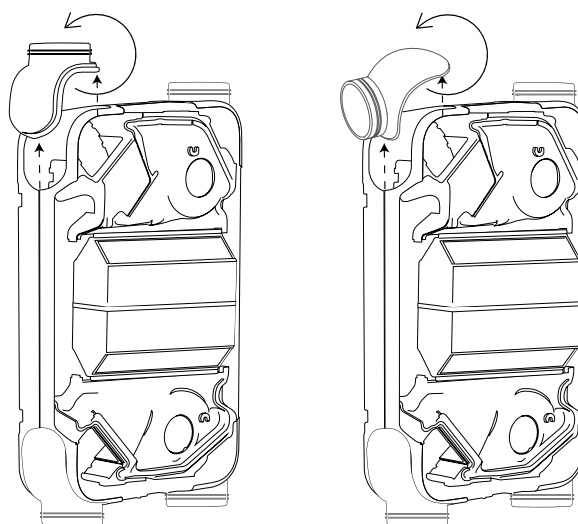
3. Verwijder de buitenste metalen afdekking en de polypropyleen bovenafdekking, voor toegang tot de binnenkant van de unit



4. Draai de bevestigingsschroeven van de EPP-aansluitingen los

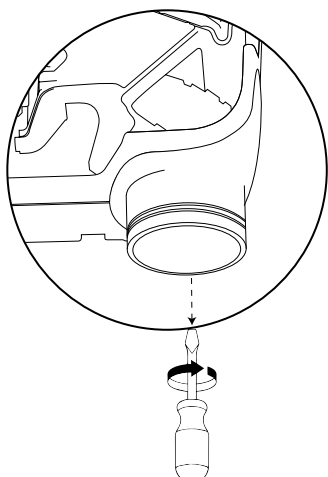


5. Til de aansluitingen op, wissel ze van plaats, draai ze om en plaats ze terug

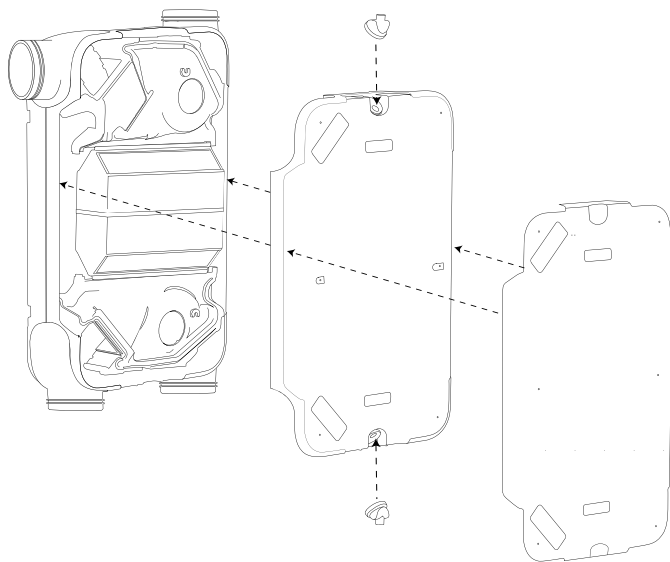


- EN
- DE
- IT
- FR
- NL**
- ET
- LT
- LV

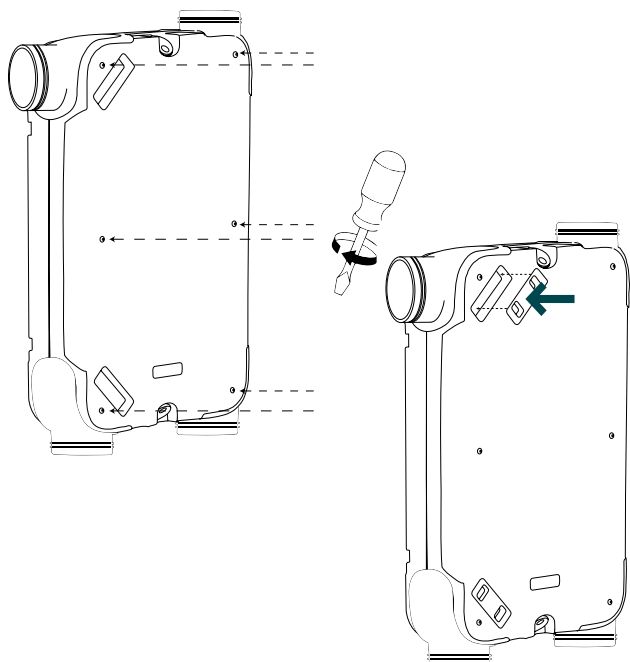
6. Draai de bevestigingsschroeven weer vast



7. Plaats de polypropyleen bovenafdekking en de metalen afdekking terug



8. Draai de schroeven weer vast en plaats de filterdoppen terug



5.7. Aansluiten van de condensafvoer

De Zehnder EVO 3 HRV- en Zehnder EVO 3 HRV PR-units moeten worden voorzien van een condensafvoersysteem. Voor EVO 3 ERV- en EVO 3 ERV PR-units is dit niet nodig. Schroef de 1/2" sifon met mannelijke schroefdraad (niet inbegrepen in de levering, moet apart worden besteld) op de condensafvoeraansluiting van de unit.

Voor een goed onderhoud moet de sifon zodanig worden geïnstalleerd dat deze eenvoudig kan worden verwijderd en geïnspecteerd.

De condensafvoeraansluiting van de unit kan horizontaal of naar beneden wijzen.

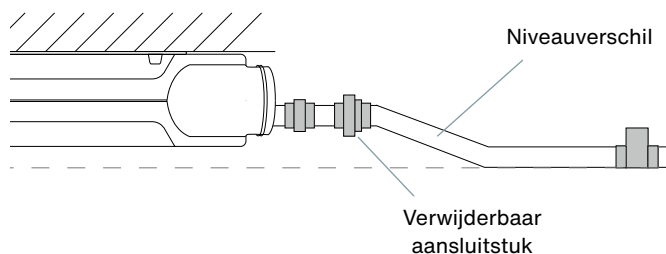


Zorg ervoor dat het afschot van de condenswaterafvoer niet evenwijdig loopt aan of terugloopt naar het apparaat.

Belangrijk!

Bij de EVO HRV- en EVO HRV PR-units wordt slechts één condensafvoer aangesloten; de andere moet worden afgesloten. Bij EVO ERV- en EVO ERV PR-units moeten beide condensafvoeren worden afgesloten. De blindstoppen worden meegeleverd.

Hieronder vindt u instructies voor het installeren van de condensafvoer voor een horizontaal geïnstalleerde EVO-unit:



Als de unit horizontaal aan het plafond wordt gemonteerd, moet de condensafvoer zich onder het niveau van de unit bevinden.

Waarschuwing!

De garantie is geldig op voorwaarde dat er een originele droge sifon van Zehnder is geïnstalleerd en het condensafvoersysteem correct is aangelegd. Anders beschouwt Zehnder zich onthouden van iedere aansprakelijkheid in geval van schade aan de unit.

EN

DE

IT

FR

NL

ET

LT

LV

6. Elektrische aansluitingen

De aansluiting op het elektriciteitsnet moet volgens de wettelijke normen worden uitgevoerd.

De ventilatoren en de elektronische printplaat werken op een voedingsspanning van 230 V.

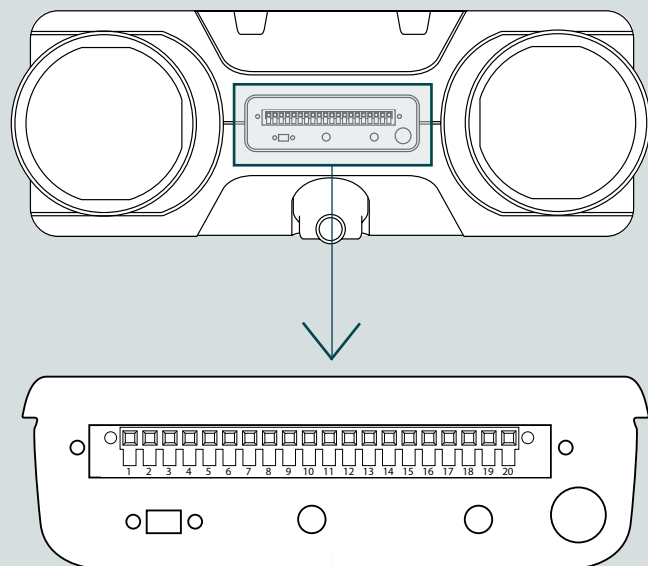


Tijdens alle installatie- of onderhoudswerkzaamheden aan de unit moet de netvoeding worden losgekoppeld.

Kleurcodering van bedrading

Bruin	Fase
Blauw	Neutraal
Groen/geel	Aarding

Geïntegreerde besturingsprintplaat



Geïntegreerde besturingsprintplaat

Beschrijving van connectoren		
Conn.	Beschrijving	Printplaat
PEN 1	Domotica - 10 V	X-26
PEN 2	Domotica - 0 V	X-26
PEN 3	Domotica - droog contact	X-25
PEN 4	Domotica - droog contact	X-25
PEN 5	Niet gebruikt	-
PEN 6	Niet gebruikt	-
PEN 7	Naverwarmer 10 V uitgang(*)	X-16
PEN 8	Naverwarmer 0 V uitgang(*)	X-16
PEN 9	"Spiegelmodus" NO/NC(*)	X-32
PEN 10	"Spiegelmodus" NO/NC(*)	X-32
PEN 11	Niet gebruikt	-
PEN 12	Keuzeschakelaar V1 gemeenschappelijk	X-510
PEN 13	Keuzeschakelaar V2	X-510
PEN 14	Keuzeschakelaar V3	X-510
PEN 15	Voorverwarmer 230 V uitgang(**)	X-17
PEN 16	Aardingsaansluiting van de voorverwarmer(**)	X-17
PEN 17	Voorverwarmer neutrale uitgang(**)	X-17
PEN 18	Niet gebruikt	X-28
PEN 19	Niet gebruikt	X-28
PEN 20	Niet gebruikt	X-28

(*) PEN niet gebruikt op modellen Zehnder EVO 3 HRV PR en Zehnder EVO 3 ERV PR

(**) Bij modellen waarbij de voorverwarmer standaard is meegeleverd, worden deze pennen gebruikt voor de naverwarmer (optioneel) en niet voor de voorverwarmer.

EN

DE

IT

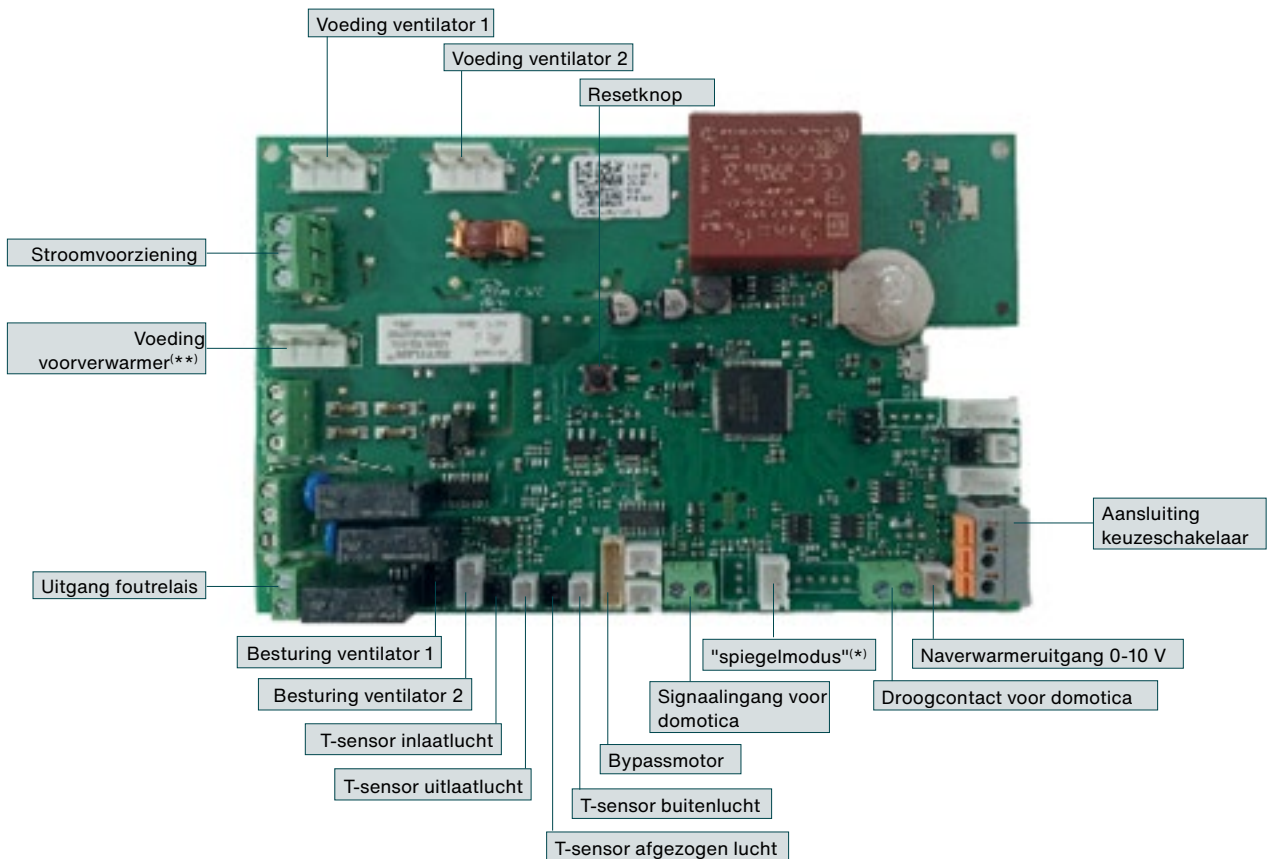
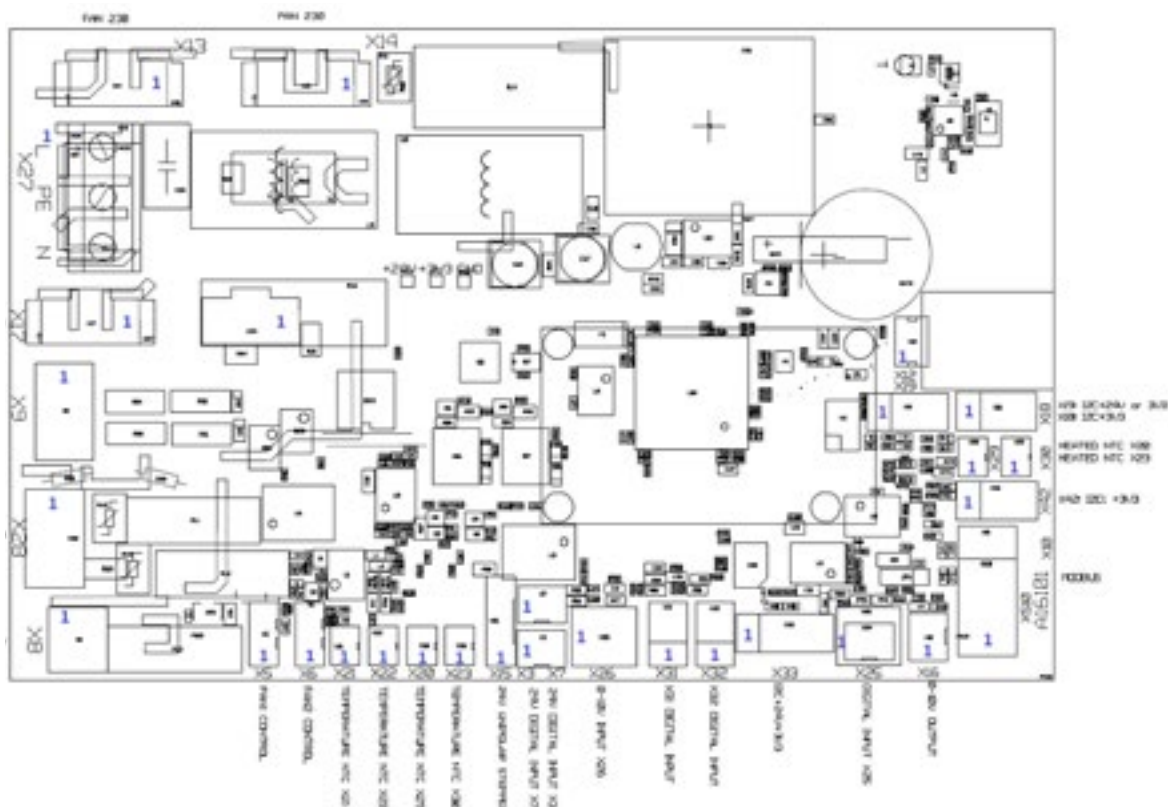
FR

NL

ET

LT

LV



(*) Niet gebruikt op modellen Zehnder EVO 3 HRV PR en EVO 3 ERV PR.

(**) Wordt gebruikt als naverwarmer bij de modellen Zehnder EVO 3 HRV PR en EVO 3 ERV PR.

- EN
- DE
- IT
- FR
- NL**
- ET
- LT
- LV

7. Bediening en connectiviteit

Units uit de Zehnder EVO-serie kunnen op verschillende manieren worden bewaakt en aangestuurd. Hieronder vindt u een lijst met de beschikbare accessoires.

7.1. Zehnder Multi Control



Zehnder EVO-units kunnen worden aangestuurd via Zehnder Multi Control, voor gebruik met Zehnder ComfoDew- of Zehnder ComfoPost-nabehandelingssystemen.

De ventilatie-unit neemt standaard de minimale ventilatorsnelheid aan. Via de aanwezige relais activeert Multi Control de tweede en derde ventilatorsnelheid wanneer de gebruiker dit vraagt of wanneer dit nodig is voor de nabehandelingsbehoeften.

Met de Multi Control kunnen gebruikers de handmatige of automatische bedieningsmodus selecteren, weekprogramma's schrijven en het filtervervangingsalarm bekijken.



Als er naast Multi Control nog een andere besturing is aangesloten om de unit te bewaken en te bedienen, zoals Zehnder EVO Sense, moet de andere besturing op elk moment in de handmatige modus en op ventilatorsnelheid 1 blijven staan. Anders functioneert Multi Control niet goed.



De Zehnder Multi Control kan worden verbonden met de app "Zehnder Multi Controlle", die de ventilatie-unit, de thermische zones en het verwarmingssysteem bewaakt en bestuurt.

7.2. Zehnder EVO Sense draadloos



De draadloze, slimme regelunit EVO Sense communiceert via RF (radiofrequentie) met de ventilatie-unit en biedt keuze uit vijf verschillende stroomsnelheden. Gebruikers kunnen hiermee ook dagelijkse en weekprogramma's schrijven en de automatische werkingsmodus instellen.

Het is een slimme gebruikers- en installatie-interface voor het bewaken en configureren van de aangesloten ventilatie-unit.

7.3. Zehnder EVO Switch RF



De draadloze drukknopbediening EVO Switch met 4 standen communiceert via RF (radiofrequentie) met de ventilatie-unit en biedt keuze uit vier verschillende bedrijfsmodi. Het apparaat heeft een alarmindicator voor het vervangen van het filter.

7.4. RF-CO₂-sensor



De draadloze CO₂-sensor bewaakt het kooldioxidegehalte in de ruimte waar hij is geplaatst en stuurt de meetwaarden via RF (radiofrequentie) naar de Zehnder EVO-unit. De unit varieert het debiet dienovereenkomstig en kiest op basis van de door de sensor verzonden gegevens het juiste niveau voor een goede luchtkwaliteit binnenshuis.

7.5. RF-vochtigheidssensor



De draadloze sensor bewaakt de relatieve luchtvochtigheid in de ruimte waar hij is geplaatst en stuurt de meetwaarden via RF (radiofrequentie) naar de Zehnder EVO-unit. Het apparaat past het ventilatiedebiet hierop aan en kiest op basis van de door de sensor verzonden gegevens het juiste niveau voor een goede luchtkwaliteit binnenshuis.

EN

DE

IT

FR

NL

ET

LT

LV


7.6. Slimme connectiviteit

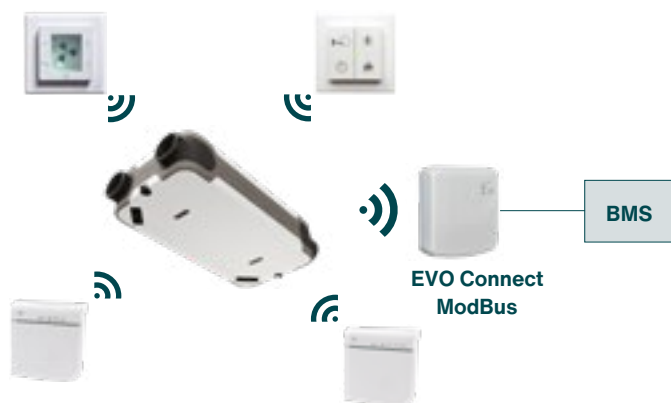
Met behulp van verschillende interfacemethoden kunt u van uw huis een slim huis maken:

- EVO Connect ModBus;
- EVO Connect ModBus-KNX.

7.6.1. EVO Connect - ModBus

Het "EVO Connect ModBus"-apparaat is bekabeld aangesloten op het gebouwbeheersysteem (BMS) en maakt via het ModBus-protocol het lezen en invoeren van gegevens mogelijk met betrekking tot de EVO-ventilatie-unit en eventuele compatibele sensoren (relatieve vochtigheid/CO₂) en draadloze regelunits (EVO Sense/EVO Switch) die erop aangesloten zijn. Het communiceert via RF met de EVO-unit.


 **EVO Connect ModBus - KNX moet met 24 V AC/DC worden gevoed om correct te functioneren.**



7.6.2. EVO Connect ModBus - KNX

Het apparaat "EVO Connect ModBus - KNX" is een ModBus/KNX-omvormer die bekabeld wordt aangesloten op de EVO Connect ModBus-gateway om de door de gateway verzamelde gegevens om te zetten en via bekabeling door te sturen naar het gebouwbeheersysteem (BMS).

Het verzamelt gegevens van de EVO-units en alle compatibele sensoren (relatieve vochtigheid/CO₂) en aangesloten draadloze regelunits (EVO Sense/EVO Switch).

 **EVO Connect ModBus - KNX moet met 24 V AC/DC worden gevoed om correct te functioneren.**



EN

DE

IT

FR

NL

ET

LT

LV

8. Inbedrijfstelling

Na installatie kan de ventilatie-unit in gebruik worden genomen. Ga als volgt te werk.

- Lees de inbedrijfstellingsinstructies zorgvuldig door voordat u begint.
- Sluit alle ramen en binnen- en buitendeuren.
- Controleer of alle kleppen correct zijn gemonteerd en open ze zo ver mogelijk.
- Zorg ervoor dat alle filters van de ventilatie-unit en de kleppen in nieuwstaat zijn. Verontreinigde filters kunnen het resultaat van de inbedrijfstelling beïnvloeden.
- Zet de ventilatie-unit op ventilatorsnelheid 3. De automatische modus mag niet geactiveerd zijn.
- Zorg ervoor dat de openingen onder de deuren of de roosters vrij zijn en dat de lucht vrij kan stromen. Ze moeten in deze toestand blijven tijdens de verdere werking van de ventilatie-unit.
- Begin met het afstellen van de kleppen, te beginnen bij de klep die de kleinste luchtstroom ontvangt (meestal de klep die het verst van de ventilatie-unit is verwijderd). Gebruik een gekalibreerd meetinstrument om de vereiste nominale luchtstroom op elke klep in te stellen.
- Om het energieverbruik te minimaliseren, moet u ervoor zorgen dat één toevoerklep voor verse lucht en één afvoerklep voor mufte lucht volledig open staan.
- Herhaal de debietinstelling totdat alle kleppen op het gewenste debiet zijn ingesteld.
- Als het niet mogelijk is om het luchtdebiet in evenwicht te brengen met de ingestelde snelheden, kan het toerental van de ventilator worden aangepast aan het gewenste debiet.

9. Werking

De unit wordt geleverd met een aansluitklare stroomaansluiting en werkt volledig automatisch. De mufte lucht die uit het interieur wordt afgevoerd, draagt warmte-energie over aan de verse lucht van buiten. De verse, schone lucht wordt op een vooraf ingestelde temperatuur het huis ingeblazen, koel in de zomer en warm in de winter, met een aanzienlijke energiebesparing tot resultaat.

Afhankelijk van het type besturingssysteem zijn er maximaal vijf ventilatiedebieten beschikbaar.

De unit wordt geregeld met een constant debiet. Dat wil zeggen dat het debiet van de luchttoevoer- en afvoer onafhankelijk van de drukval in de kanalen wordt gerealiseerd.

9.1. Werking van de bypass

De standaard meegeleverde bypass maakt het mogelijk om buitenlucht rechtstreeks aan te voeren, via het filter maar zonder door de warmtewisselaar te gaan. Zo kan er optimaal gebruik worden gemaakt van gunstige buitentemperaturen op bepaalde momenten, zoals 's nachts in de zomer, wanneer het wenselijk is om koele lucht binnen te laten om de binnentemperatuur te verlagen ("vrije koeling"). De bypassklep wordt automatisch geactiveerd wanneer aan bepaalde voorwaarden wordt voldaan, zoals weergegeven in de onderstaande tabel.

Werking van de bypass	
Bypass open	<ul style="list-style-type: none"> ▪ De buitentemperatuur is hoger dan 10 °C. ▪ In de zomer is de buitentemperatuur 3 °C lager dan de temperatuur van de uit de woning afgevoerde lucht en lager dan de comforttemperatuur. ▪ In de winter is de buitentemperatuur 3 °C hoger dan de temperatuur van de uit de woning afgevoerde lucht en boven de comforttemperatuur.
Bypass gesloten	<ul style="list-style-type: none"> ▪ De buitentemperatuur is lager dan 10 °C. ▪ In de zomer is de buitentemperatuur hoger dan de temperatuur van de uit de woning afgevoerde lucht en hoger dan de comforttemperatuur. ▪ In de winter is de buitentemperatuur lager dan de temperatuur van de lucht die uit de woning wordt afgezogen en lager dan de comforttemperatuur.

WAARSCHUWING!

De Zehnder EVO-unit detecteert automatisch het huidige seizoen.

9.2. Vorstbeveiligingsvoorziening

De Zehnder EVO is uitgerust met een vorstbeveiliging om ijsvorming op de warmtewisselaar bij zeer lage buitentemperaturen te voorkomen.

De sensoren meten de temperaturen in de warmtewisselaar en de ventilatoren zorgen indien nodig voor een geleidelijk toenemende onbalans tussen de luchtstromen.

Wanneer de temperatuur -2 °C bereikt bij de modellen Zehnder EVO 3 HRV en Zehnder EVO 3 ERV zonder voorverwarmer, of -16 °C bij de modellen Zehnder EVO 3 HRV PR en Zehnder EVO 3 ERV PR met voorverwarmer, schakelt de unit uit om schade aan de warmtewisselaar te voorkomen. Eén keer per uur wordt gecontroleerd of de temperatuur weer op een veilig bedrijfsniveau is.

EN

DE

IT

FR

NL

ET

LT

LV

10. Onderhoudsprocedure



Voer alle preventieve onderhoudsprocedures in dit gedeelte regelmatig uit. Als de preventieve onderhoudsprocedures niet regelmatig worden uitgevoerd, zal de werking van het ventilatiesysteem achteruitgaan.



Voordat u met onderhoud begint, moet u de ventilatie-unit ten minste twee minuten op ventilatorsnelheid 3 laten draaien om het condenswater uit de warmtewisselaar te verwijderen.



Indien een onderdeel vervangen moet worden, bestel dan een origineel reserveonderdeel bij Zehnder en laat alle werkzaamheden uitvoeren door een door Zehnder geautoriseerd Technisch servicecentrum.



Met uitzondering van het vervangen van het filter, moet alle onderhoud door gespecialiseerd personeel worden uitgevoerd.



Voordat u met onderhoudswerkzaamheden begint, dient u de ventilatie-unit altijd los te koppelen van de elektrische voeding, tenzij anders aangegeven. Als de unit wordt bediend terwijl hij is geopend, bestaat er een reëel risico op persoonlijk letsel. Zorg ervoor dat de unit niet per ongeluk kan worden opgestart.



Neem passende maatregelen om elektrostatische ontladingen te voorkomen wanneer u met elektronica werkt. Elektrostatische elektriciteit kan de elektronica namelijk onherstelbaar beschadigen.

10.1. Onderhoud van het luchtfilter

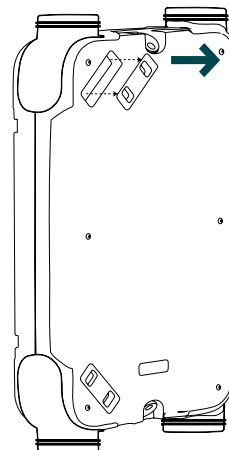
Deze onderhoudsprocedure kan door de gebruiker worden uitgevoerd.

De filters dienen iedere drie maanden gecontroleerd te worden. Bij grove verontreiniging (insecten, kleine plantendelen, enz.) kunnen ze worden gestofzuigd en teruggeplaatst in de unit.

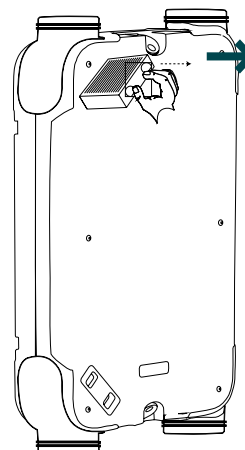
Filters moeten ten minste elke zes maanden vervangen worden. Zorg ervoor dat u tijdig vervangende filters aanschaft en dat het originele Zehnder-filters zijn.

1. Als u een EVO Sense-afstandsbediening gebruikt, voert u de filtervervangingsprocedure uit op de afstandsbediening. Anders moet u de unit uitschakelen. Als het apparaat is aangesloten op een EVO Switch- of Multi Control-apparaat, vergeet dan niet om het filtervervangingsalarm te resetten nadat de procedure is voltooid.

2. Verwijder de doppen van het filtergedeelte.



3. Verwijder voorzichtig de verontreinigde filters met behulp van de daarvoor bestemde lipjes. Als de twee filters niet hetzelfde zijn, noteer dan hun posities: Het ISO ePM1-filter is geplaatst aan de buitenluchtinlaat en het ISO Coarse-filter is gemonteerd aan de afzuiginlaat van de kamerlucht.



EN

DE

IT

FR

NL

ET

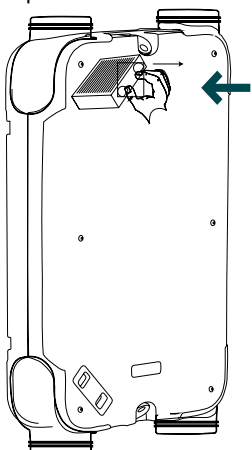
LT

LV

WAARSCHUWING!

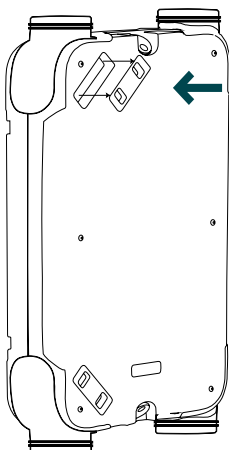
De Zehnder EVO-unit mag nooit zonder filters worden gebruikt.

4. Plaats de filters terug in hun compartimenten en positioneer ze zoals aangegeven in punt 3.



5. Plaats de doppen terug op de filtercompartimenten.

6. Beëindig de filtervervangingsprocedure of start de unit opnieuw op.



 **Wanneer u de filters van de unit vervangt, reinig dan ook de filters op de interne roosters of kleppen en de externe luchtuitlaatroosters.**

 **Gooi het verontreinigde filter weg als niet-recyclebaar afval.**

10.2. Reinigen van de ventilatie-unit

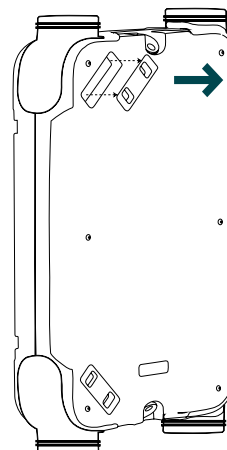
Alle interne componenten van de EVO-unit (warmtewisselaar, ventilatoren, enz.) moeten elke twee jaar worden geïnspecteerd en gereinigd.

WAARSCHUWING!

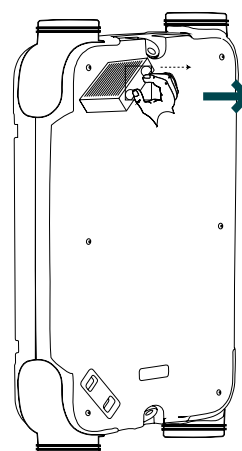
Deze onderhoudswerkzaamheden mogen uitsluitend worden uitgevoerd door een door Zehnder geautoriseerde, gekwalificeerde technicus. Neem contact op met uw dichtstbijzijnde technische servicecentrum.

1. Koppel de unit los van de stroomvoorziening.

2. Verwijder de doppen van het filtergedeelte.



3. Verwijder de filters voorzichtig met behulp van de daarvoor bestemde lipjes. Als de twee filters niet hetzelfde zijn, noteer dan hun posities: Het ISO ePM1-filter is geïnstalleerd aan de buitenluchtinlaat, en het ISO Coarse filter is gemonteerd aan de afzuiginlaat voor binnenlucht.



EN

DE

IT

FR

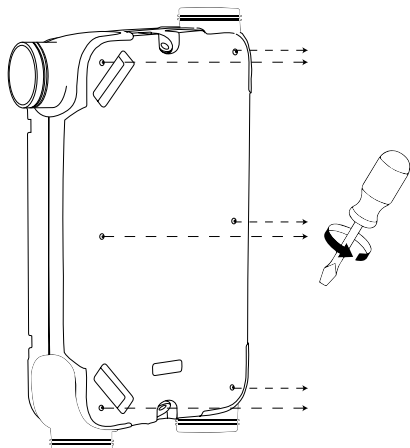
NL

ET

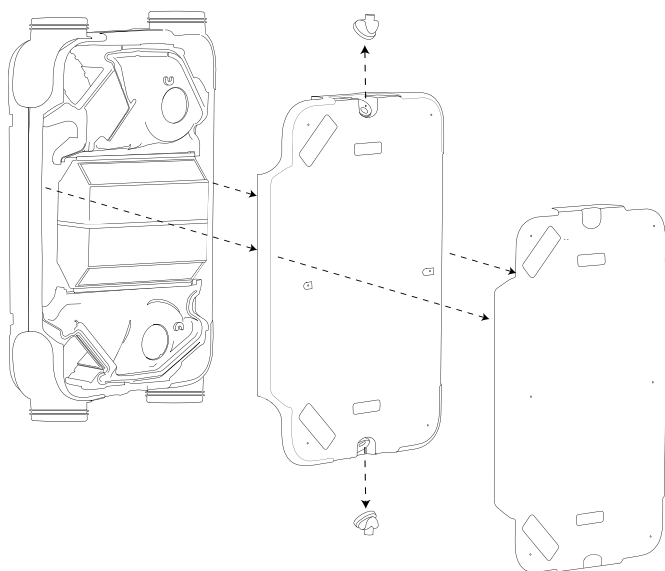
LT

LV

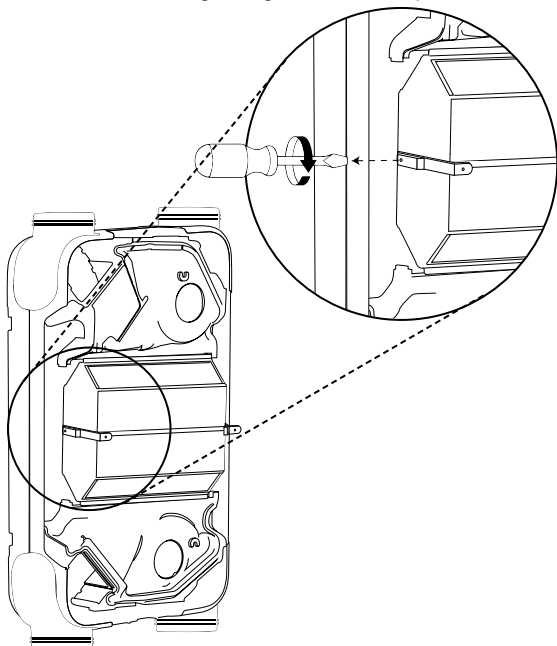
4. Verwijder de schroeven van de buitenste metalen afdekking



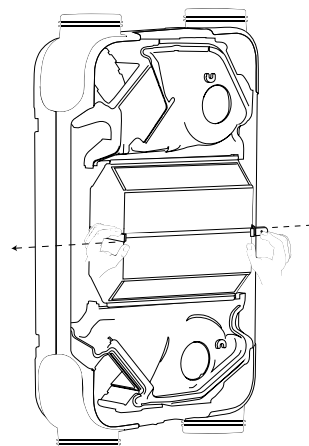
5. Verwijder de metalen afdekking en de polypropyleen afdekking voor toegang tot de warmtewisselaar, de ventilatoren en het bypasskanaal.



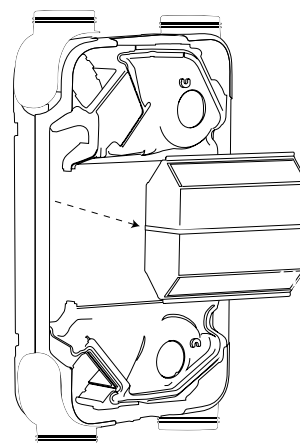
6. Maak de linker montagebeugel los en verwijder deze.



7. Haal de beugels uit elkaar die de warmtewisselaar vasthouden, zodat u deze kunt verwijderen

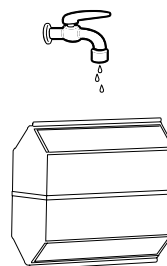


8. Verwijder de warmtewisselaar



Wees extra voorzichtig bij het verwijderen van de warmtewisselaar.
Er kan zich een beetje condenswater in de warmtewisselaar bevinden.

9. Reinig de warmtewisselaar onder stromend water.



10. Controleer of de zichtbare binnenkant van de unit schoon is: warmtewisselaarcompartiment, bypasskanaal, polypropyleen onderdelen.

Reinig indien nodig met een zachte doek.

11. Maak de ventilatoren schoon met een stofzuiger met borstel en controleer of ze niet beschadigd zijn. Vervang ze als dat het geval is.

EN

DE

IT

FR

NL

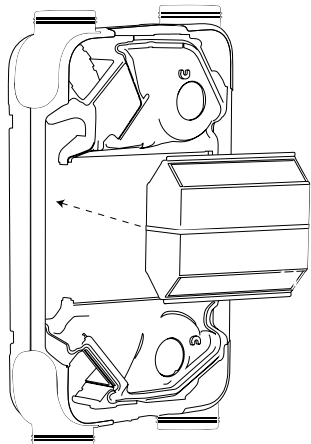
ET

LT

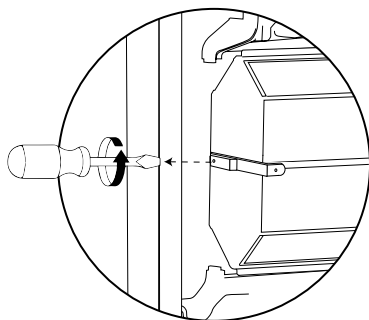
LV

12. Zet de unit weer in elkaar zodra de reinigingsprocedures zijn voltooid.

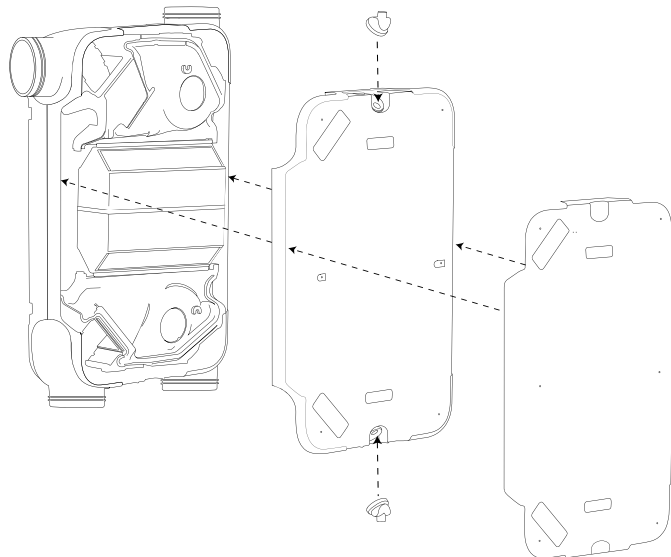
13. Plaats de warmtewisselaar terug in zijn compartiment.



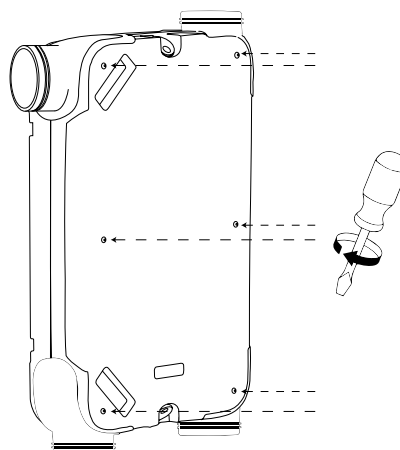
14. Plaats de linkerbeugel terug en draai de schroef weer vast.



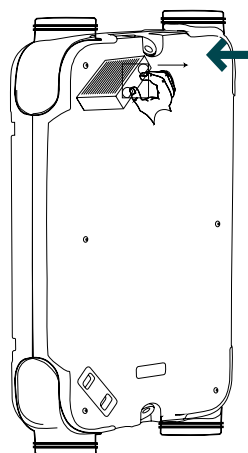
15. Plaats de polypropyleen en metalen afdekkingen terug.



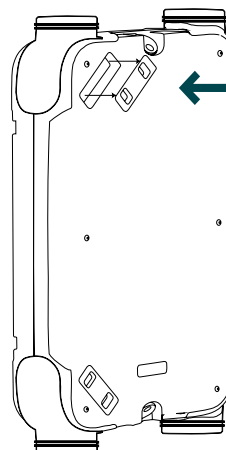
16. Draai de schroeven op de metalen afdekking weer vast.



17. Plaats de filters terug in hun compartimenten en positioneer ze zoals aangegeven in punt 3.



18. Plaats de filterafdekkingen terug.



Zorg ervoor dat de polypropyleen bovenafdekking perfect aansluit op de onderkant, zonder openingen aan de zijkanten. Controleer anders of de draden goed in de daarvoor bestemde groeven zitten.

EN

DE

IT

FR

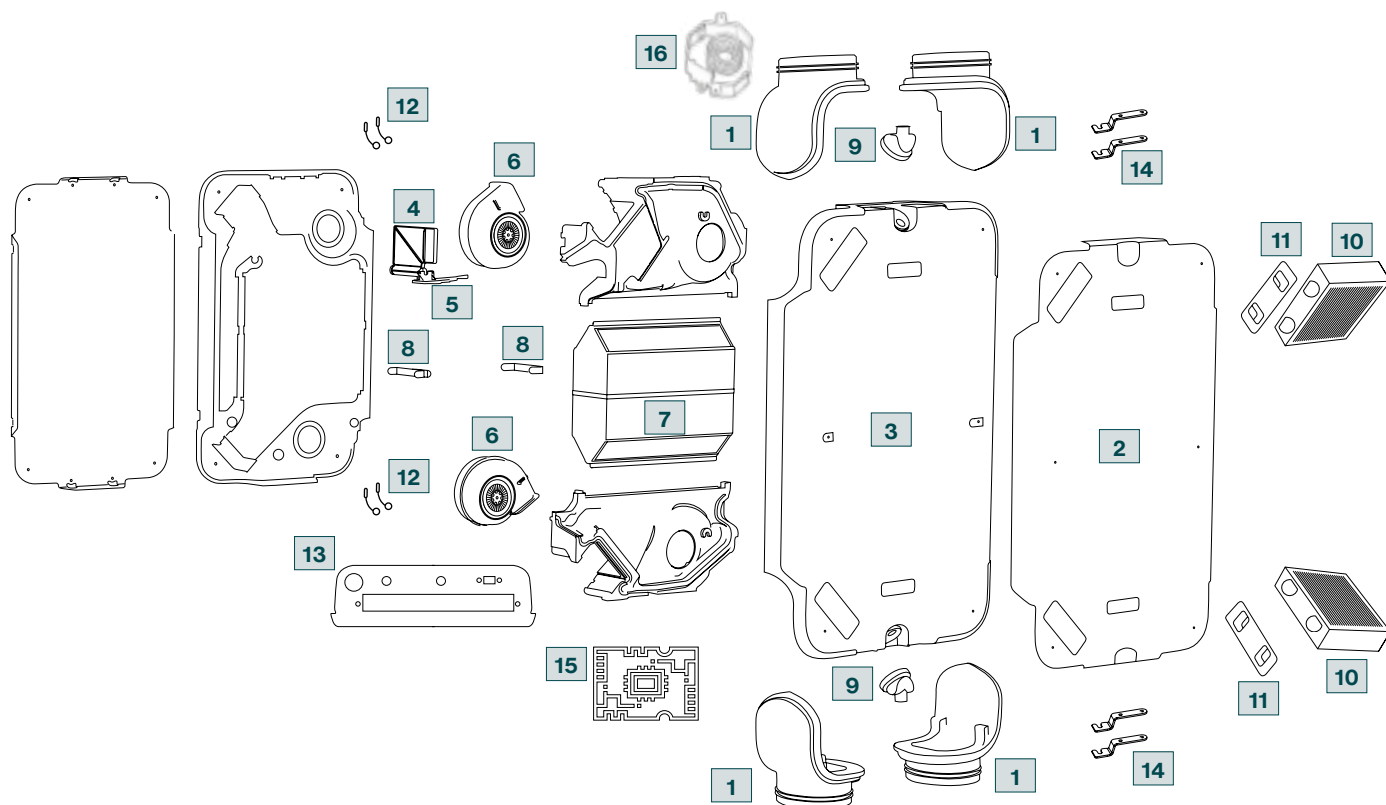
NL

ET

LT

LV

11. Overzicht van de unit en beschrijving van de componenten



Nr.	Beschrijving component	aantal stuks
1	Draaikoppelingen	4 stuks
2	Frontplaat	1 stuk
3	Polypropyleen afdekking voor ventilatoren, warmtewisselaar, elektronica	1 stuk
4	Bypass-klep	1 stuk
5	Bypass-klep motor	1 stuk
6	Hoogrendementsventilatoren	2 stuks
7	Warmtewisselaar met hoog rendement en energierugwinning	1 stuk
8	Montagebeugels voor warmtewisselaars	2 stuks
9	Draaibare condensafvoer	2 stuks
10	Hoogwaardige filters	2 stuks
11	Filterafdekking	2 stuks
12	Temperatuursensor	4 stuks
13	Aansluitkaart	1 stuk
14	Geluiddempende unit	4 stuks
15	Printplaat	1 stuk
16	Voorverwarmer (*)	1 stuk

(*) Alleen meegeleverd bij de modellen Zehnder EVO 3 HRV PR en Zehnder EVO 3 ERV PR.

1.	Sisukord	
1.	Sissejuhatus	3
1.1.	Zehnder EVO 3 seadme kasutamine	3
1.2.	Garantiitingimused	3
2.	Sissejuhatus ja ohutus	3
2.1.	Sissejuhatus	3
2.2.	Turvalisus	4
2.3.	Paigaldustingimused	4
2.4.	Kaminatega ruumides kasutamise eeskirjad	5
2.5.	Vastavus	5
3.	Transport ja tarnimine	5
3.1.	Transpordi ohutusjuhised	5
3.2.	Tarnitud esemete kontrollimine	5
3.3.	Ventilatsiooniseadme lahtipakkimine	6
4.	EVO 3 seadme omadused	6
4.1.	Ühendused	6
4.2.	Mudeli muutmine paremakäelisest vasakukäeliseks	7
4.3.	Seadme diagramm	7
4.4.	Tehnilised andmed	8
4.5.	Elektrilise eelküttekalorifeeri mudelid EVO 3 HRV PR ja EVO 3 ERV PR	8
4.6.	Energiatõhususe klassid	8
4.7.	Jõudlusgraafikud	9
4.8.	Tööpunktid	9
4.9.	Entalpia soojustagasti tööpõhimõte	9
4.10.	Akustilised andmed	10
5.	Paigaldamine	10
5.1.	Mõõtmed	10
5.2.	Esialgset hinnangud	10
5.3.	Paigaldamine	11
5.4.	Lakke paigaldamine	11
5.5.	Seinale paigaldamine	12
5.6.	Ühenduste paigutamine	14
5.7.	Kondensaadi äravoolu ühendamine	15
6.	Elektriühendused	16
7.	Juhtimisseadmed ja ühendatavus	18
7.1.	Zehnder Multi Control	18
7.2.	Zehnder EVO Sense juhtmevaba	18
7.3.	Zehnder EVO Switch	18
7.4.	Zehnder EVO CO ₂ -andur	18
7.5.	Zehnder EVO niiskusandur	18
7.6.	Targa kodu ühenduvus	19
7.6.1.	Zehnder EVO Connect ModBus	19
7.6.2.	Zehnder EVO Connect Modbus-KNX	19
8.	Kasutuselevõtt	20
9.	Toimimine	20
9.1.	Möödaviigu tööpõhimõte	20
9.2.	Külmakaitse kaitseseade	20
10.	Hooldusprotseduur	21
10.1.	Õhufiltri hooldus	21
10.2.	Ventilatsiooniseadme puhastamine	22
11.	Seadme ülevaade ja komponentide kirjeldus	25

EN

DE

IT

FR

NL

ET

LT

LV

1. Sissejuhatus

HOIATUS!



Enne paigaldamist ja kasutuselevõttu lugege see juhend hoolikalt läbi.

Käesolev dokument pakub tuge Zehnder EVO 3 mehaanilise ventilatsiooniseadme ohutuks ja optimaalseks paigaldamiseks, kasutuselevõtuks ja hoolduseks.

Zehnder EVO 3 võib allpool olla nimetatud kui „ventilatsiooniseade“.

Kuna meie tooteid arendatakse ja täiustatakse pidevalt, võib teie seade erineda siin esitatud kirjeldustest.

Paigaldusjuhendi uusim väljaanne on allalaadimiseks saadaval Zehnderi veebisaidilt.

Kasutatakse järgmisi piktogramme:

Sümbol	Tähendus
	Oluline märkus
	Süsteemi kahjustamise või töövõime halvenemise oht
	Isikuvigastuse oht

!? Küsimused

Kõikide päringute, juhendite uusimate versioonide ning tehnilise toe osas võtke ühendust Zehnderiga.

Kontaktandmed:

Zehnder Baltics OÜ

Rannamõisa tee 38d, 13516 Tallinn

T +372 6840 937

info.baltics@zehndergroup.com

www.zehnder.ee

1.1. Zehnder EVO 3 seadme kasutamine

- Ventilatsiooniseadet ja kõiki juhtimiseseadmeid tohib kasutada ainult siis, kui need on paigaldatud vastavalt kehtivatele riiklikele ja kohalikele eeskirjadele, vastavalt käesolevas juhendis ja juhtimiseseadme juhendis toodud juhiste.
- Seadet ja juhtimiseseadet ei tohi kasutada füüsilise, sensoorse või vaimse puudega isikud või vajalike kogemuste ja oskusteta isikud (sh lapsed), välja arvatud juhul, kui neid juhendab vastutav isik ja nad on saanud ohutuks kasutamiseks vajalikud juhised.
- Lapsed ei tohi ventilatsiooniseadmega mängida.
- Lapsed ei tohi teha ventilatsiooniseadmega järelevalveta toiminguid.

1.2. Garantiitingimused

Tootja annab ventilatsiooniseadmele garantii, mille kestus on 24 kuud alates paigaldamisest või mitte rohkem kui 30 kuud alates tootmiskuupäevast. Garantiiõigust saab kasutada ainult garantii-aja jooksul esinevate materjali- ja/või konstruktsioonivigade korral.

Kui tööd taotletakse garantiikorras, ei tohi ventilatsiooniseadet avada ega lahti võtta ilma tootja kirjaliku loata. Garantii katab ainult need remonttööd ja varuosad, kui töö on tehtud volitatud tehnilise teeninduskeskuse poolt ja kasutatud on Zehnderi originaalvaruosi.

Garantii kaotab kehtivuse, kui:

- Garantiaeg on lõppenud.
- Ventilatsiooniseadet kasutatakse ilma originaal Zehnderi filtrita või ilma välisseina restita.
- Originaal Zehnderi varuosad ei ole kasutatud.
- Ventilatsiooniseadmes on tehtud omavolilisi modifikatsioone või muudatusi.
- Defektid on tingitud süsteemi vales paigaldamisest, väärkasutusest või halvast hooldusest.

2. Sissejuhatus ja ohutus

2.1. Sissejuhatus

Zehnder EVO 3 on soojustagastusega mehaaniline ventilatsiooniseade, mis on mõeldud pideva ja energiasäästliku õhuvahetuse tagamiseks väikestes hoonetes, korterites ja kodudes. Ventilatsiooniseade tõmbab niiske, seisnud õhu välja märgadest ruumidest nagu köök ja vannituba ning puhub samal ajal värsket õhu eluruumidesse, näiteks elu- ja magamistubadesse. Õhk ringleb läbi ukse all olevate avade või läbi spetsiaalsete mürasummutavate siirdeõhurestide.

Soojustagastusega ventilatsioonisüsteem sisaldab:

- ventilatsiooniseadet;
- õhuvõtu ja heitõhu torustikku;
- sissepuhke ja väljatõmbe torustikku erinevates ruumides;
- plafoone ja disainvõresid värsket õhu sissepuhkeks elu- ja magamistubadesse ning muudesse eluruumidesse;
- plafoone ja disainvõresid musta õhu väljatõmbeks köögist, vannitoast ja teistest niisketest ruumidest;
- välisreste õhuvõtuks ja heitõhuks.

EN

DE

IT

FR

NL

ET

LT

LV



Enne ventilatsiooniseadme kasutamise alustamist lugege juhendit.



Veenduge, et uste all olevad avad või siirdeõhuretid ei oleks ummistunud, et tagada õhu ringlus läbi hoone.



Ventilatsiooniseadme välisküljele võib tekkida kondensaat. Selle ilmumisel ei ole vaja midagi ette võtta.



Ventilatsiooniseade tuleb utiliseerida keskkonnasõbralikul viisil. Ärge visake seadet olmejäätmete hulka.

2.2. Turvalisus

Lugege hoolikalt läbi kõik ohutusjuhised, et tagada ventilatsiooniseadme ohutu ja korrektne kasutamine.



HOIATUS! Ohtlik elektripinge.
Loodusõnnetuse korral ühendage toide lahti.



Järgige käesolevas juhendis toodud ohutusnõudeid, ettevaatusabinõusid ja juhiseid. Nõuete eiramine võib kahjustada seadet või põhjustada kehavigastusi.



Paigaldamist, kasutuselevõtmist ja hooldust peavad teostama spetsialiseerunud tehnikud, kui kasutusjuhendis ei ole sätestatud teisiti.



Ärge avage ventilatsiooniseadet. Spetsialiseerunud tehnik peab tagama, et kõik osad, mis võivad põhjustada kehavigastusi, on seadmesse ohutult paigutatud.



Kui käesolevas kasutusjuhendis ei ole ette nähtud teisiti, hoidke seade alati töös. Vastasel juhul võib niiskus koguneda ja tekkida hallitus.



Ventilatsiooniseadme ja sellega ühendatud juhtimiseadmete muutmine on keelatud. Füüsilised või tarkvaralised muudatused põhjustavad garantii kaotuse ja võivad põhjustada talitlushäireid või kehavigastusi.



Kui toitejuhe on kahjustatud, peab selle asendama Zehnderi volitatud spetsialist.



Paigaldamisel tuleb järgida kehtivaid riiklikke ja kohalikke eeskirju ning käesolevat juhendit. Paigaldage kaitseüliti toiteallika väljalülitamiseks.



Enne hooldus- või remonditööde alustamist tuleb ventilatsiooniseade alati elektrivõrgust lahti ühendada. Veenduge, et see ei saaks kogemata taaskäivituda.



Ärge käivitage avatud ventilatsiooniseadet: elektripinge ja ventilaatorite liikumine võivad põhjustada kehavigastusi.



Võtke seadme kallal töötades tarvitusele sobivad meetmed elektrostaatiliste laengute vältimiseks. Staatiline elekter võib kahjustada elektrilisi komponente.

2.3. Paigaldustingimused

Ventilatsiooniseade on ette nähtud kasutamiseks kodudes, kontorites, väikestes töökodades ja sarnastes kohtades, tingimused, et:

- puuduvad saunad ja basseinid;
- õhuniiskuse tase ei ole liiga kõrge;
- tolmu tase ei ole liiga kõrge;
- ei ole kahjulikke või potentsiaalselt söövitavaid aineid.

Selleks, et teha kindlaks, kas ventilatsiooniseadet saab kasutada ettenähtud kohas, kontrollige, et:

- on olemas 230 V, 50 Hz elektrivarustus; mis tahes muu tööpinge või -sagedus võib põhjustada seadmele korvamatuid kahjustusi;
- ruumitemperatuur on kogu aeg lubatud vahemikus (vt tabelit „Tehnilised andmed“);
- õhuniiskus ruumis ei ole ülemäärane, ei kondenseeru ja jääb kogu aeg lubatud piiridesse (vt tabelit „Tehnilised andmed“). Ärge paigaldage seadet kohtadesse, kus õhuniiskus on üle keskmise, näiteks vannitubadesse või riietusruumidesse.

Kontrollige, et paigalduskohas oleks piisavalt ruumi õhujaotussüsteemi jaoks.

Jätke ventilatsiooniseade täielikult ligipääsetavaks, et võimaldada hooldustoiminguid.

Zehnder EVO 3 võib paigaldada seinale või lakke, kasutades kaasasolevaid kinnitusklambreid.



Erinevate paigaldusvõimalustega tutvumiseks vaadake vastavat jaotist.

EN

DE

IT

FR

NL

ET

LT

LV

2.4. Kaminatega ruumides kasutamise eeskirjad

Ventilatsiooniseadme ohutuks kasutamiseks tuleb silmas pidada kohalikke nõudeid, mis sisalduvad asjakohastes määrustes, seadustes ja direktiivides. Zehnder EVO 3 võib paigaldada meelelahutusasutustes, korterites või sarnastes hooneüksustes, kus on paigaldatud kaminad või muud välisõhuga töötavad põletussüsteemid, ainult juhul, kui:

- ohutusseadmed takistavad välisõhu kaminatega ja õhu väljatõmbesüsteemi samaaegset toimimist.

Või

- suitsugaaside väljavoolu välisõhul töötavast põlemissüsteemist jälgitakse spetsiaalsete ohutusseadmetega. Vedel- või gaaskütust põletavate põlemissüsteemide puhul tuleb põlemis- või ventilatsioonisüsteem ohutusseadise rakendamisel välja lülitada. Tahkeid kütuseid põletavate põletussüsteemide puhul tuleb ohutusseadme käivitumisel ventilatsioonisüsteem sulgeda.

Soojustagastusega ventilatsiooniseadmeid ei saa paigaldada, kui hooneüksus sisaldab põlemissüsteemi, mis kasutavad välisõhku, mis on ühendatud mitme ühendusega suitsugaaside väljalaskesüsteemidega. Korrektseks toimimiseks peab olema võimalik sulgeda põlemisõhukanalid ja avatud kambriga süsteemide suitsugaaside väljalaskesüsteemid. Tahkeküttega kütteseadmeid peab olema võimalik kustutada ainult käsitsi juhitava väljalülitusseadme abil. Katkestusseadme asend peab olema selgelt eristatav juhtkangi asendist. See nõue on täidetud, kui kasutatakse tahmavastast väljalülitusseadet (tahma blokeerivat seadet).

Tuleohutusnõuded: soojustagastusega ventilatsioonisüsteemi paigaldamisel tuleb järgida riiklike ja kohalike paigaldus- ja tuleohutusnõudeid.

2.5. Vastavus

Zehnder EVO ventilatsiooniseadmed, mille tootja on

Siber Zone S.l.u.



C/Can Marcia 2
08520 Las Frenquesas des Vallés
Apto de Correos n°9
Barcelona, Hispaania

vastavad ELi vastavusdeklaratsiooni ja EAC-sertifikaadi direktiividele ja määrustele.

3. Transport ja tarnimine

3.1. Transpordi ohutusjuhised



Lubatud temperatuurivahemik ladustamiseks ja transpordiks on vahemikus -20 °C kuni +50 °C.



Enne ventilatsiooniseadme transportimist lugege ohutusala teavet ja juhiseid.



Kandke ventilatsiooniseadet alati teise inimese abiga. Ventilatsiooniseadet tuleb transportimisel ja lahtipakkimisel käsitleda ettevaatlikult.



Ventilatsiooniseadme servad võivad olla teravad. Kandke löikehaavade vältimiseks kaitsekindaid.

3.2. Tarnitud esemete kontrollimine

Karbis on:

- Zehnder EVO 3 ventilatsiooniseade;
- Lühike paigaldusjuhend;
- EcoDesign-märgis;
- Paigaldusklambrid;
- Kott, mis sisaldab vibratsioonivastaseid ühendusi ja kinnituskruvisid.

Kontrollige andmesilti, et veenduda, et tarnitud seade on õige:

- EVO 3 HRV: soojusvahetiga ventilatsiooniseade;
- EVO 3 ERV: entalpiasoojusvahetiga ventilatsiooniseade;
- EVO 3 HRV PR: soojusvaheti ja elektrilise eelküttekalorifeeriga ventilatsiooniseade;
- EVO 3 ERV PR: entalpiasoojusvaheti ja elektrilise eelküttekalorifeeriga ventilatsiooniseade.



Kui ventilatsiooniseade on ilmselgelt kahjustatud või puuduvad tarvikud, võtke viivitamatult ühendust tarnijaga.

Zehnder EVO 3 ventilatsiooniseade tarnitakse ilma reguleerimistarvikuteta. Valikuliste tarvikute kohta vaadake vastavat jaotist.

EN

DE

IT

FR

NL

ET

LT

LV

3.3. Ventilatsiooniseadme lahtipakkimine

Avage pakendi ülaosa. Tõstke ventilatsiooniseade pakendist välja ja asetage see puhtale, pehmele pinnale, et vältida selle kahjustamist.

Hoidke pappkarp alles, et kasutada seda šabloonina seadme paigaldamisel vajalike aukude puurimisel.



Käsitsege ventilatsiooniseadet ettevaatlikult. Seadme tõstmiseks on alati vaja kahte inimest. Ärge hoidke seadet õhuühendustest, sest see võib neid kahjustada.



Utiliseerige pakkematerjal keskkonnasõbralikul viisil.



Olge ettevaatlik, et kaasasolevad tarvikud ei läheks kaduma.

4. EVO 3 seadme omadused

Zehnder EVO 3 on soojustagastusega ventilatsiooniseade, mille efektiivsus on kuni 88,9% (toimivusdeklaratsioon vastavalt EL 1254/2014) ja maksimaalne õhuvooluhulk 300 m³/h. Seadmel on energiasäästlikud ventilaatorid ja automaatne möödaviik, mis võimaldab "vaba jahutust".

EVO 3 ventilatsiooniseadme omadused:

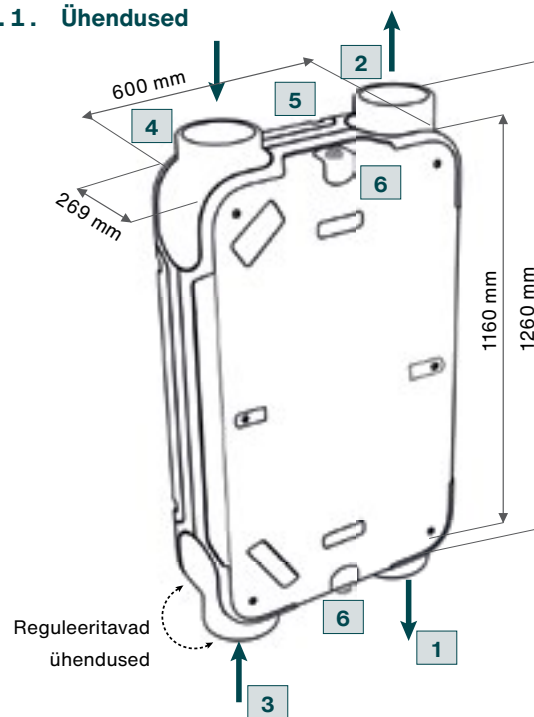
- õhuvooluhulga reguleerimine juhtpuldi kaudu;
- filtri oleku indikaator;
- nutikas külmakaitse reguleerimise süsteem, mis tagab optimaalse töö ka madalatel temperatuuridel. Kui ostetud seade on "PR" versioon, aktiveeritakse vajadusel elektriline eelküte;
- madal müratase;
- automaatne möödaviik standardvarustuses;
- konstantse õhuvooluhulga hoidmine;
- kõrge jõudlus ja madal energiakulu.

Zehnder EVO 3 on saadaval 4 versioonina:

- EVO 3 HRV: soojusvahetiga ventilatsiooniseade;
- EVO 3 ERV: entalpiasoojusvahetiga ventilatsiooniseade;
- EVO 3 HRV PR: soojusvaheti ja elektrilise eelküttekalorifeeriga ventilatsiooniseade;
- EVO 3 ERV PR: entalpiasoojusvaheti ja elektrilise eelküttekalorifeeriga ventilatsiooniseade.

Need paigaldusjuhised kehtivad kõigi Zehnder EVO 3 seadme versioonide kohta.

4.1. Ühendused



Standardse paremakäelise konfiguratsiooni selgitus

Sümbol	Tähendus
1	Sissepuhe
2	Heitõhk
3	Väljatõmme
4	Õhuvõtt
5	Elektriühendused
6	Kondensaadi äravool *

* EVO 3 HRV ja EVO 3 HRV PR seadmete puhul on vajalik ühendus kondensaadi äravoolusüsteemiga. Lisateabe saamiseks vaadake vastavat jaotist.

EN

DE

IT

FR

NL

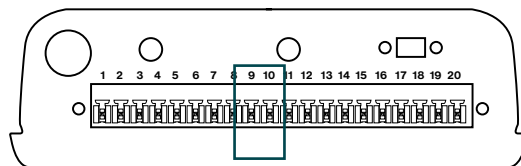
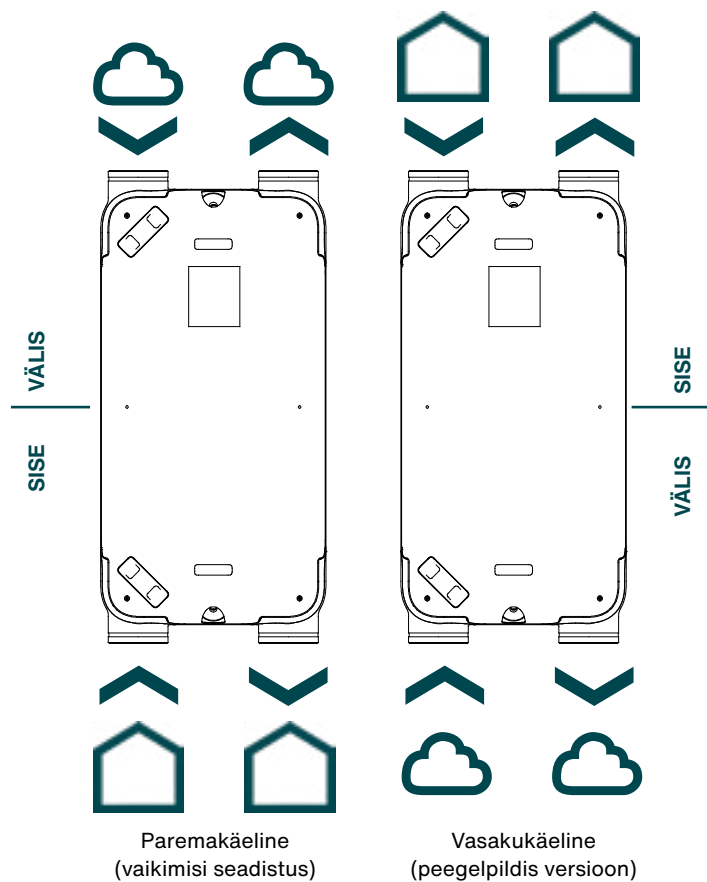
ET

LT

LV

4.2. Mudeli muutmine paremakäelisest vasakukäeliseks

Seadistuse muutmiseks paremakäelisest vasakukäeliseks tuleb sillata elektriühendused 9 ja 10.



TÄHELEPANU!

Kui seade on seinalle paigaldatud, võib seda paigaldada **AINULT** nii, et elektrilised ühendused on suunatud ülespoole.

Seade koos tava soojusvahetiga (HRV) **PEAB** olema paigaldatud nii, et õhuvõtu ja heitõhu ühendused on suunatud allapoole (vasakukäeline versioon).

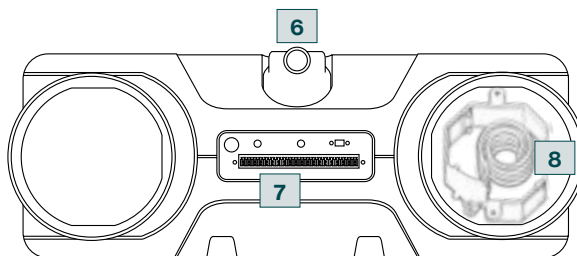
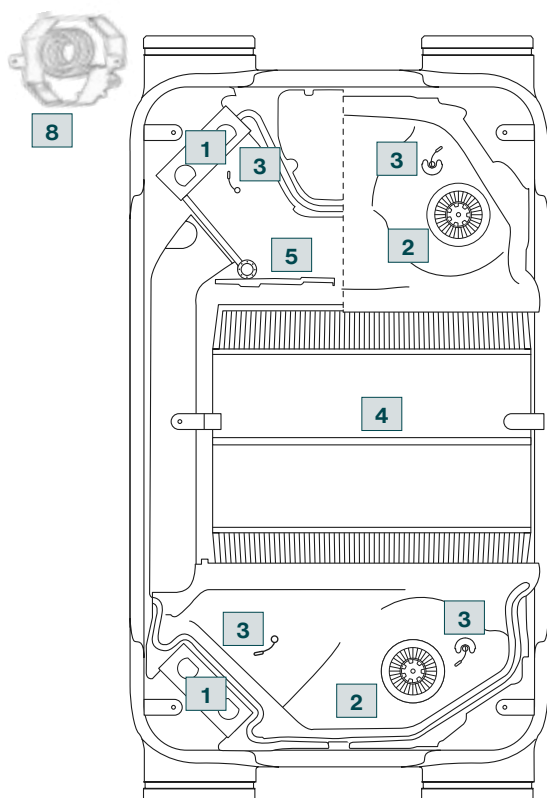
Vaadake vastavat jaotist.

TÄHELEPANU!

Mudeli muutmine paremakäelisest vasakukäeliseks ei ole võimalik järgmiste mudelite puhul:

EVO 3 HRV PR ja EVO 3 ERV PR

4.3. Seadme diagramm








Sümbol	Tähendus
1	Suure jõudlusega filtrid
2	Energiasäästlikud ventilaatorid
3	Temperatuuriandurid
4	Kõrge efektiivsusega soojusvaheti
5	Automaatne möödaviik
6	Kondensaadi äravool *
7	Elektriühendused
8	Eelküttekalorifeer **

* EVO 3 HRV ja EVO 3 HRV PR seadmete puhul on vajalik ühendus kondensaadi äravoolusüsteemiga.

** Standardvarustuses ainult mudelitel EVO 3 HRV PR ja EVO 3 ERV PR

4.4. Tehnilised andmed

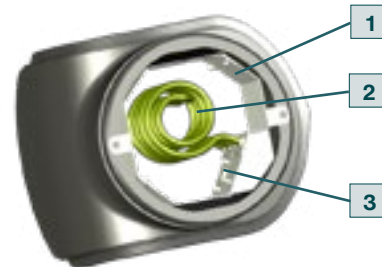
Zehnder EVO 3					
Mõõtmed (pikkus x laius x sügavus)	1160 x 600 x 269 mm				
Kaal	36 kg				
Paigaldamine	Horizontaalselt laes või vertikaalselt seinal (*)				
Paigalduskeskkonna temperatuurivahemik	10-45 °C				
Paigalduskeskkonna õhuniiskuse vahemik	< 90 % mittekondeenseeruv				
Kondensaadi äravooluühendus (Ø)	1/2"				
Õhuühenduste suurus (Ø)	Ø 160				
Võrgupinge	230 V / 50 Hz				
Maksimaalne õhuvooluhulk	300 m³/h / 83.2 l/s				
	Zehnder EVO 3 HRV		Zehnder EVO 3 ERV		
Standardsed filtrid	2x ISO Coarse 65% (G4) õhuvõtu ja väljatõmbe jaoks				
Valikulised filtrid	ISO ePM1 55% (F7) / ISO Coarse 65 % (G4) õhuvõtu ja väljatõmbe jaoks				
Ventilatsioonirežiim					
ComfoSense S juhtpult	0	1	2	3	Võimendus
Ventilatsiooni õhuvooluhulk (m³/h)	90	120	180	240	300

(*) Seadme seinale paigaldamise võimaluste ja ettevaatusabinõude kohta vt vastavat jaotist

4.5. Elektrilise eelküttekalorifeeri mudelid EVO 3 HRV PR ja EVO 3 ERV PR

Elektriline eelküte on standardselt paigaldatud mudelite EVO 3 HRV PR ja EVO 3 ERV PR õhuvõtukanali külge. See suurendab sissetuleva õhu temperatuuri 10 °C võrra, kaitses ventilatsiooniseadme soojusvahetit külmumise eest. Võimaluse korral on soovitatav paigaldada väline eelfilter, et vältida mustuse kogunemist eelkütteelemendile.

1. Kütteelemendid roostevabast terasest AISI304L
2. Võimsus 1 kW
3. Automaatne väljalülitus 40 °C juures takistab ülekuumenemist



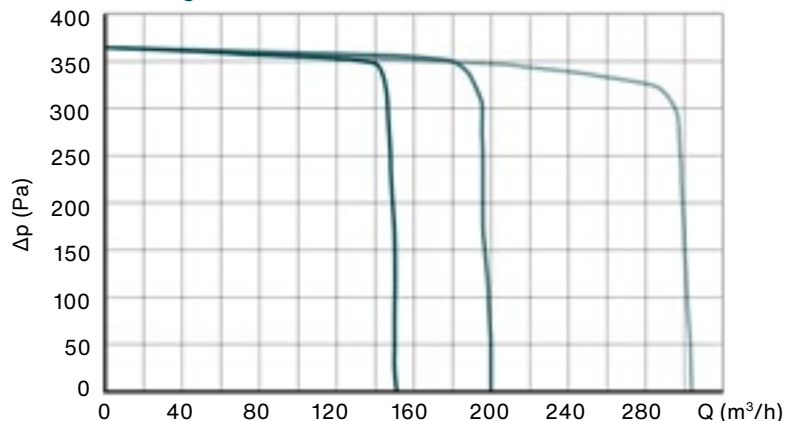
4.6. Energiatõhususe klassid

Energiatõhususe klassid vastavalt Euroopa Liidu määrusele nr 1254/2014.

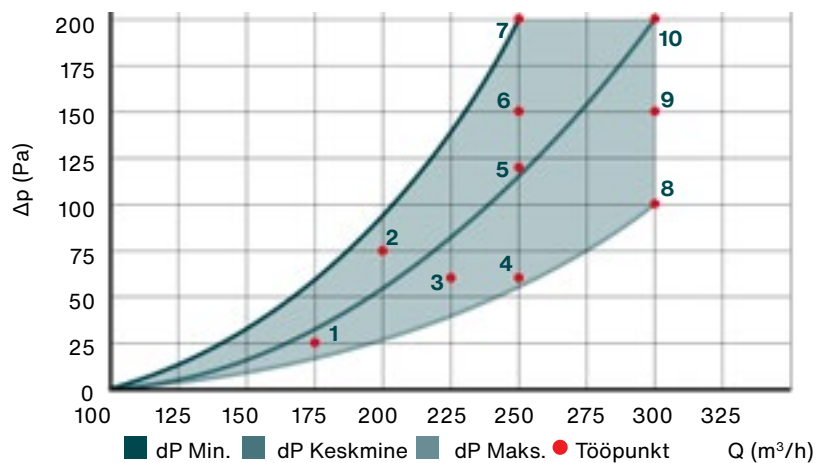
Energiandmed		Energiandmed	
EL energiamärgis EVO 3 HRV jaoks		EL energiamärgis EVO 3 ERV jaoks	
Energiatõhususe klass	A+ **	Energiatõhususe klass	A **
Maksimaalne õhuvooluhulk [m³/h]	300	Maksimaalne õhuvooluhulk [m³/h]	300
Sertifitseeritud energiatõhusus	88.9%	Sertifitseeritud energiatõhusus	74.3%
Helivõimsuse tase Lw(A) dB(A)	45	Helivõimsuse tase Lw(A) dB(A)	45

** sõltuvalt valitud juhtimisest/andurite tüübist.

4.7. Jõudlusgraafikud



- madal ventilaatori kiirus
- keskmine ventilaatori kiirus
- kõrge ventilaatori kiirus

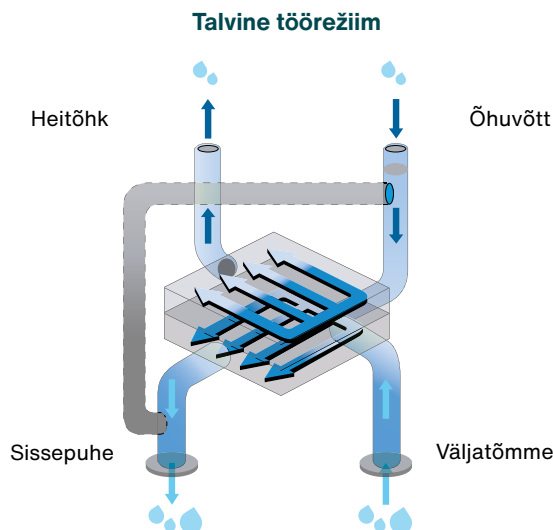


■ dP Min. ■ dP Keskmine ■ dP Maks. ● Tööpunkt Q (m³/h)

4.8. Tööpunktid

Tööpunktid				
Punkt	Õhuvooluhulk [m³/h]	Rõhk [Pa]	Võimsus [W]	SFP [W/l/s]
1	175	25	28	0.58
2	200	75	56	1.01
3	225	60	66	1.06
4	250	60	84	1.21
5	250	120	106	1.53
6	250	150	113	1.63
7	250	200	151	2.17
8	300	100	133	1.60
9	300	150	146	1.75
10	300	200	153	1.84

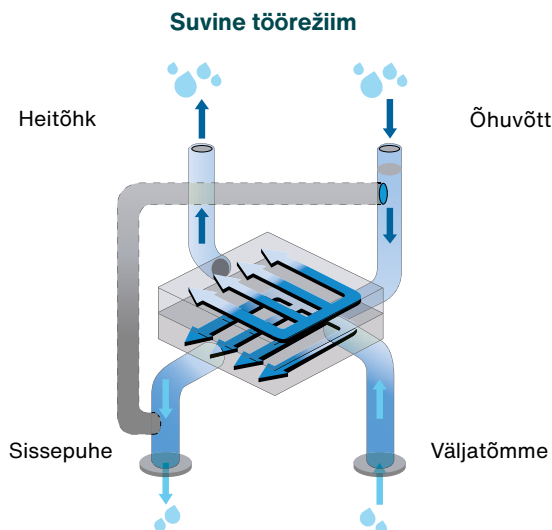
4.9. Entalpia soojustagasti tööõhimiõte



Talvel tõmmatakse soe ja niiske õhk välja köögist ja vannitubadest. Soojusvaheti sees kohtub see õhk külma ja väga kuiva välisõhuga ning annab sellele soojust ja osa niiskusest edasi.

See tähendab, et välisõhk toimetatakse ruumi temperatuuri ja niiskusega, mis säilitavad kõrgeima sisemugavuse, ilma õhku liigselt kuivatamata.

Entalpiasoojusvaheti aitab küttesüsteemil hoida ideaalset õhutemperatuuri ka kõige külmema ilmaga.



Suvel tõmmatakse siseruumidest välja jahe, kuivatatud õhk. Soojusvaheti sees kohtub see kuum, niiske välisõhuga, eeljahutades ja eelkuivatades seda.

See aitab ventilatsiooniseade aktiivsel jahutus- ja õhukuivatussüsteemil säilitada siseruumide mugavust väga madala energiakuluga.

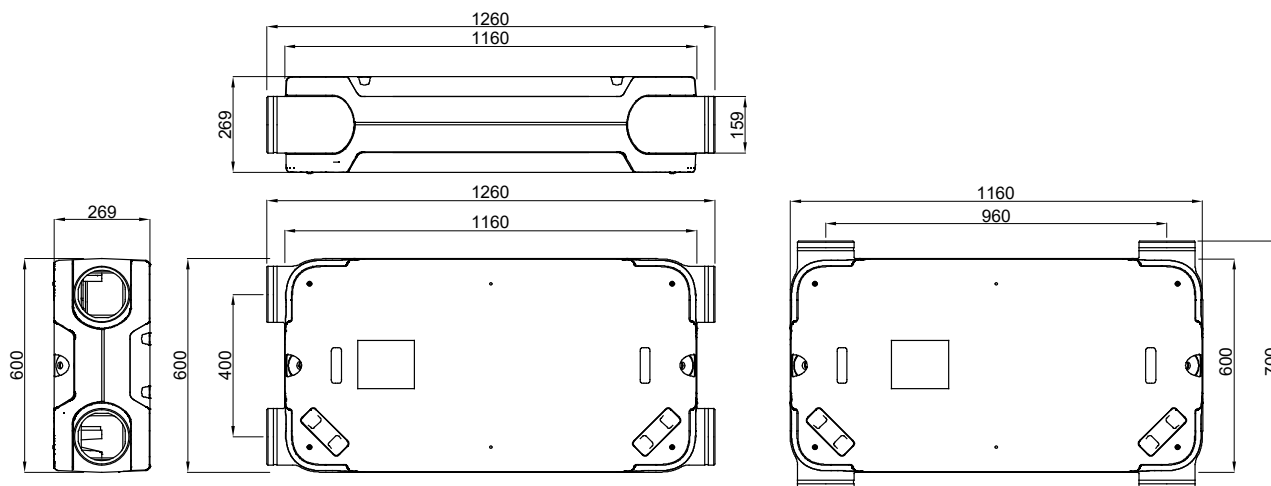
Entalpiasoojusvaheti töötab ideaalselt koostöös õhu järeltötlusseadmetega.

4.10. Akustilised andmed

Helitasemed									
Tööpunkti õhuvooluhulk	m ³ /h	90	150	200	300				
Tööpunkti rõhukadu	Pa	50	50	100	80	150	100	200	
Helivõimsus L _w (A)	Korpuse müra	dB(A)	36	40	44	46	49	52	54
	Väljatõmbekanal	dB(A)	38	42	46	47	50	54	56
	Sisepuhkekanal	dB(A)	53	55	60	61	64	67	69
Helirõhk L _p (A) 1,5 m kaugusel	Korpuse müra	dB(A)	21	25	29	31	34	37	39

5. Paigaldamine

5.1. Mõõtmed



5.2. Esiõlged hinnangud



Enne mis tahes paigaldusprotseduuri teostamist ühendage elektrivool lahti.



Veenduge, et seade ei puutuks kokku vee ega veepritsmetega.



Paigaldamise ajal hoidke lapsed ja lemmikloomad paigalduskohast eemal.



Veenduge, et seadme ümber, ees ja/või all oleks piisavalt ruumi hooldustöödeks.

Ventilatsiooniseadme korrektseks paigaldamiseks ilma seda kahjustamata on vaja kahte inimest.

Zehnder EVO 3 saab paigaldada otse seinale või lakke, kasutades kaasasolevaid kinnitusklambreid.

Müra leviku vältimiseks tuleb seade paigaldada seinale või lakke, mille tihedus on vähemalt 200 kg/m²; lihtsalt betoon- või metallkonstruktsioonist ei piisa. Sellisel juhul on vaja lisameetmeid, näiteks kahekordseid jäigastusplaate või lisakinnitusi.

Seade tuleb loodida vertikaalselt või horisontaalselt (sõltuvalt paigaldusasendist), et vältida ventilaatori vibratsiooni ja müra.

5.3. Paigaldamine



Ärge paigaldage seadet välitingimustesse. Kontrollige, et paigalduskeskkonna temperatuur ja niiskus oleksid alati lubatud töövahemikus.

Ventilatsiooniseadet võib paigaldada kas horisontaalselt (laekinnitustega) või vertikaalselt (seinakinnitustega).

Kui valitud seade on EVO 3 HRV või EVO 3 HRV PR, peab paigalduskohas olema tõhus kondensaadi äravoolusüsteem koos sifooniga ja piisava kaldega. Äravool peab olema alati takistusteta ja ei tohi külmakraadidega kinni jääda, et tagada kondensaadi pidev nõuetekohane äravool.



Veenduge, et kondensaadi äravoolu kaldenurk ei oleks paralleelne seadmega või selle suunas.

Kui valitud seade on EVO 3 ERV või EVO 3 ERV PR, ei ole kondensaadi äravool vajalik.

Paigalduskohas peab olema piisavalt ruumi nii tavapäraseks hoolduseks (filtrite vahetus) kui ka erakorraliseks hoolduseks (seadme avamine, soojusvaheti ja ventilaatorite eemaldamine ja puhastamine jne).

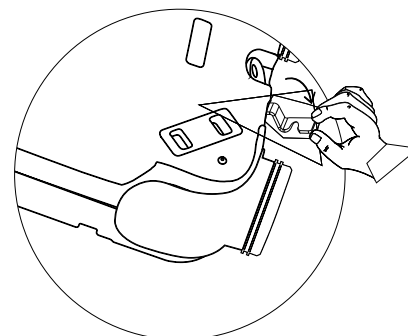
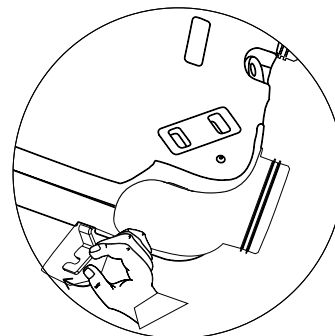


Seade on ette nähtud seinale või lakke paigaldamiseks. Seda EI TOHI paigaldada põrandale.

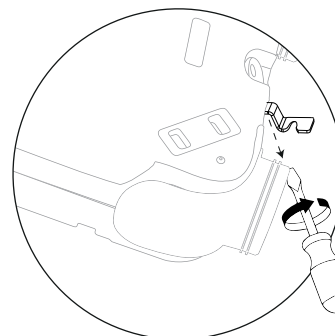
5.4. Lakke paigaldamine

1. Seade tarnitakse kinnitusklambritega, mis on paigutatud eraldi kilekotti seadme pakendi sees.

- Paigaldage kinnitusklambrid seadme pikemale või lühemale küljele lähtuvalt paigaldusnõuetest.

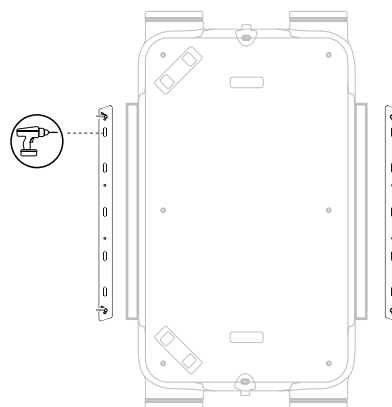


- Kruvige klambrid uues asendis paika.



2. Puurige paigalduspinnale märgistatud augud ja kruvige kinnitusklambrid ovaalsetesse aukudesse.

- Pikem külg:



EN

DE

IT

FR

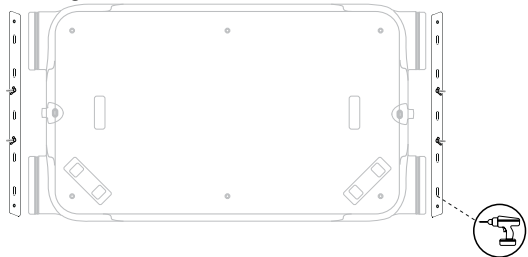
NL

ET

LT

LV

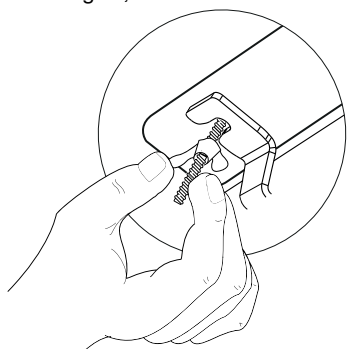
- Lühem külge:



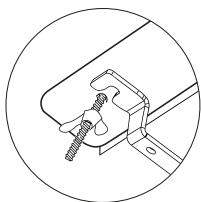
TÄHELEPANU!

Klambrid peavad olema pikkadel külgedel 630 mm (standardversioon) ja lühikestel külgedel 1195 mm kaugusel üksteisest.

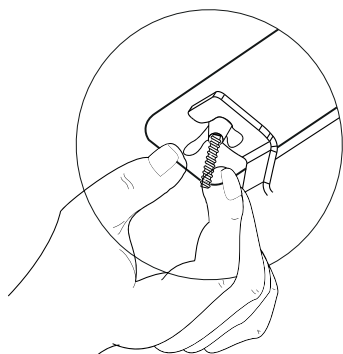
- Keerake tiibmutrid tagasi, kuni need on vaid 1 cm pikkuse keermega.



- Asetage seade juhiku ülaosale ja libistage seda mööda, kuni see haakub keermestatud latiga.



- Pingutage tiibmutrid uuesti kinni, et kinnitada seade klambri külge.



5.5. Seinale paigaldamine

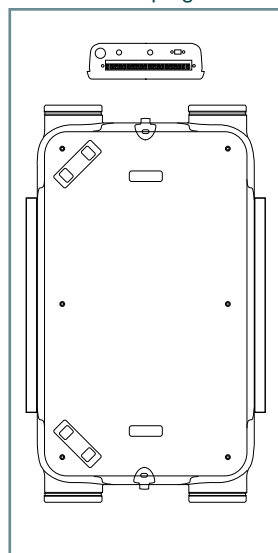


Seade tuleb paigaldada vertikaalselt ja loodida vertikaalsele tasapinnale, et tagada tõhus kondensaadi äravool.

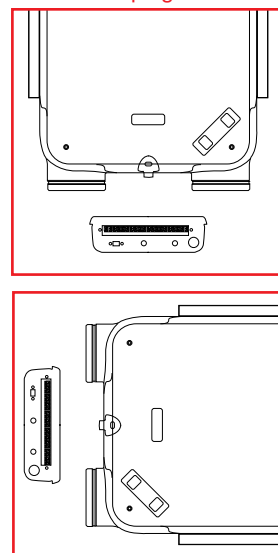


Paigaldage AINULT nii, et elektriühendused on suunatud ülespoole. Seadet ei saa paigaldada tagurpidi, elektriühendused allapoole.

Korrektne paigaldus

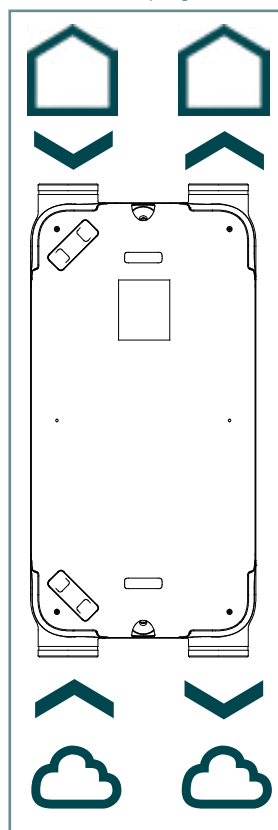


VALE paigaldus

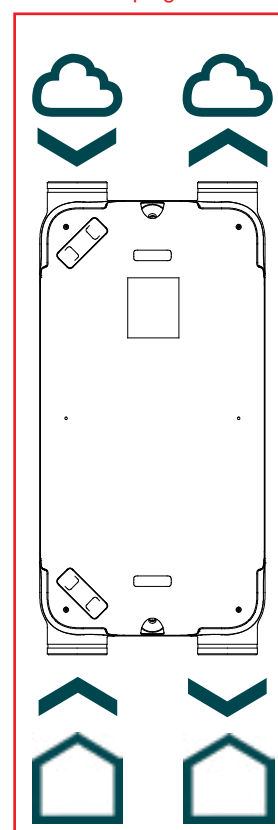


Paigaldage plaatsoojusvahetiga (HRV) seade vasakukäelises versioonis AINULT nii, et õhuvõtu ja heitõhu toruotsad on suunatud allapoole.

Korrektne paigaldus



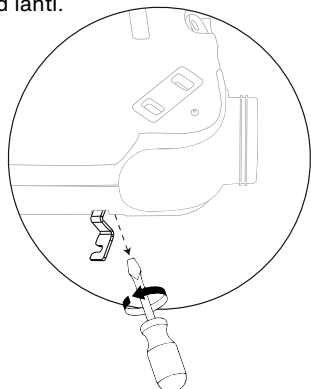
VALE paigaldus



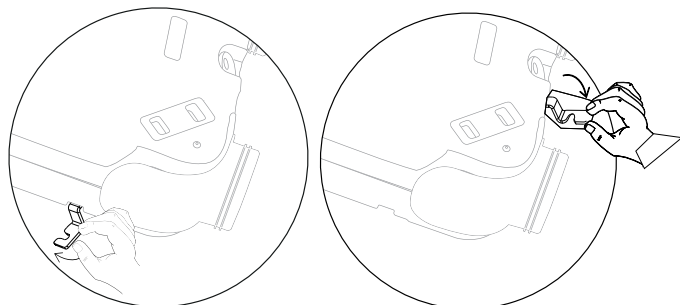
- EN
- DE
- IT
- FR
- NL
- ET**
- LT
- LV

1. Seade tarnitakse koos pikemale küljele eelpaigaldatud kinnitusklambritega. Nende liigutamiseks lühemale küljele toimige järgmiselt.

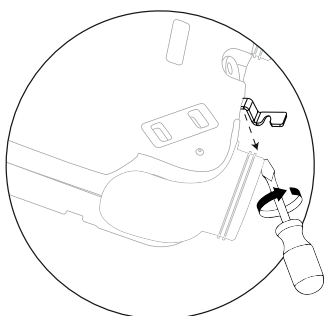
- Keerake klambrid lahti.



- Liigutage klambrid lühemale küljele, hoides neid samas asendis.

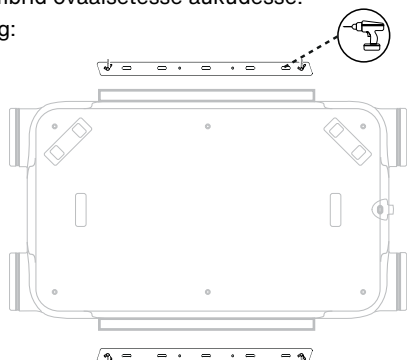


- Kruvige klambrid uues asendis paika.

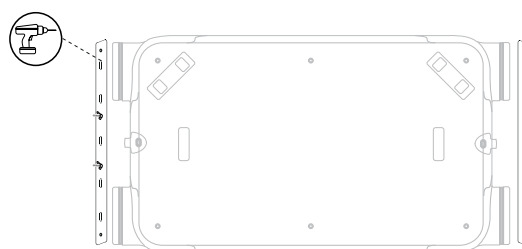


2. Puurige paigalduspinnale märgistatud augud ja kruvige kinnitusklambrid ovaalsetesse aukudesse.

- Pikem külg:



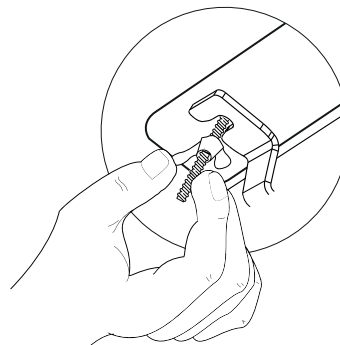
- Lühem külg:



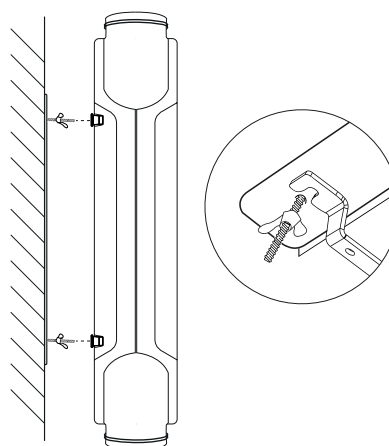
TÄHELEPANU!

Klambrid peavad olema pikkadel külgedel 630 mm (standardversioon) ja lühikestel külgedel 1195 mm kaugusel üksteisest.

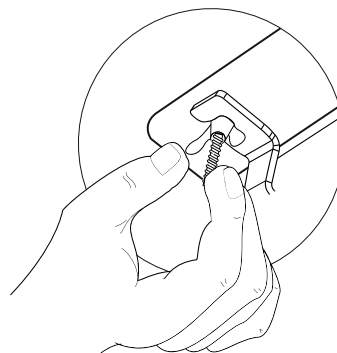
3. Keerake tiibmutrid tagasi, kuni need on vaid 1 cm pikkuse keermega.



4. Asetage seade juhiku ülaosale ja libistage seda mööda, kuni see haakub keerrestatud latiga.



5. Pingutage tiibmutrid uuesti kinni, et kinnitada seade klambri külge.



EN

DE

IT

FR

NL

ET

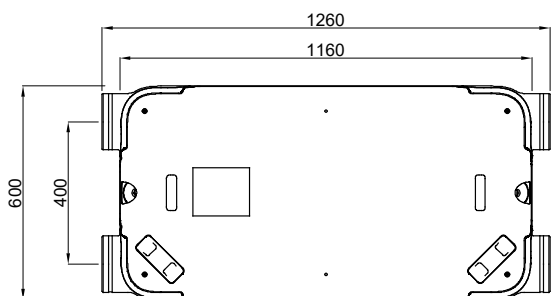
LT

LV

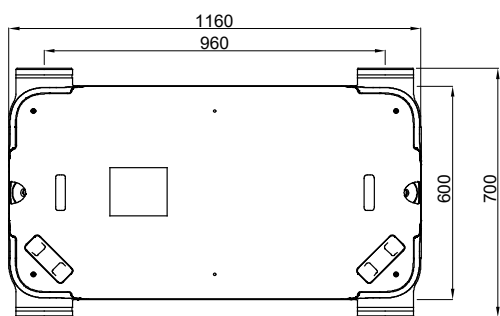
5.6. Ühenduste paigutamine

Õhuühenduste suuna muutmise protseduur on näidatud allpool.

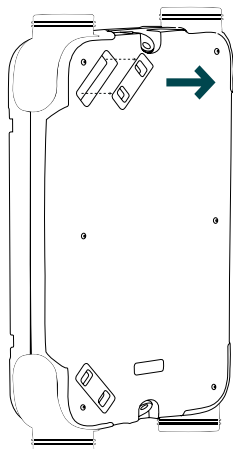
- Vaikimisi konfiguratsioon



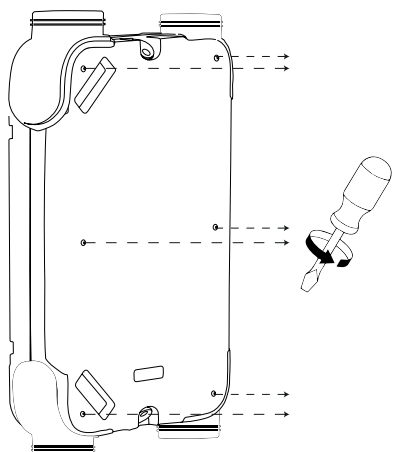
- 90° nurga all pööratud ühendustega konfiguratsioon:



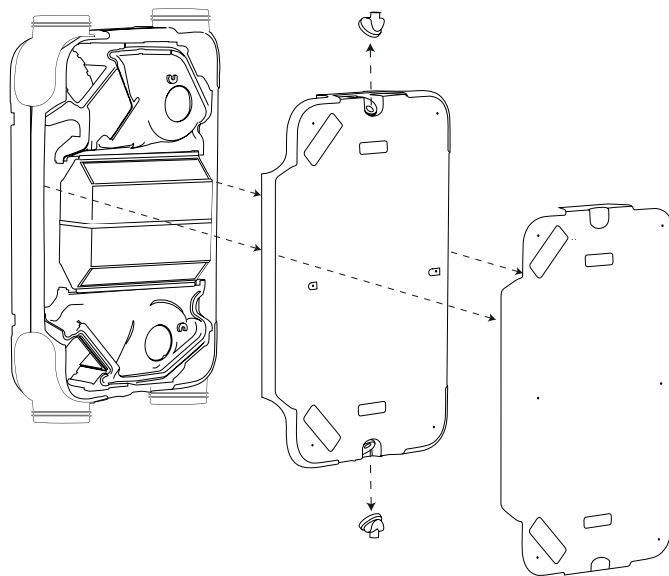
1. Eemaldage filtrikatted



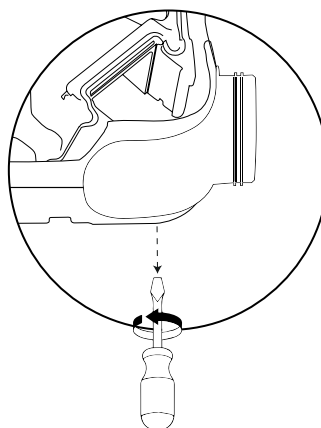
2. Keerake lahti kaane välimised kruvid



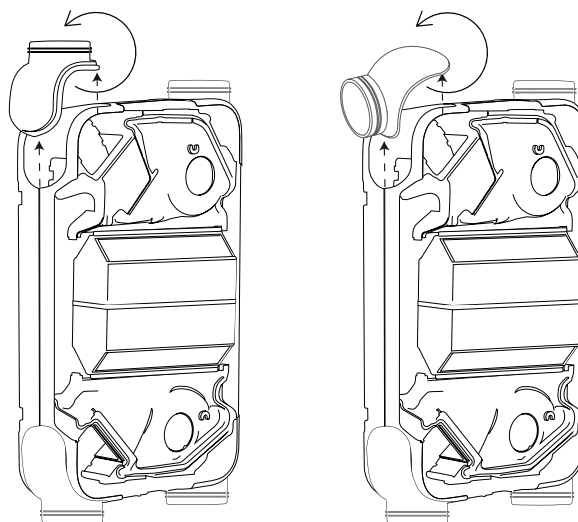
3. Eemaldage välimine metallkate ja polüpropüleenist korpuse osa, avades seadme sisemuse



4. Keerake lahti EPP-ühenduste kinnituskruvid



5. Tõstke ja keerake õhuühendusi, pöörake neid ja asetage need tagasi oma kohale



EN

DE

IT

FR

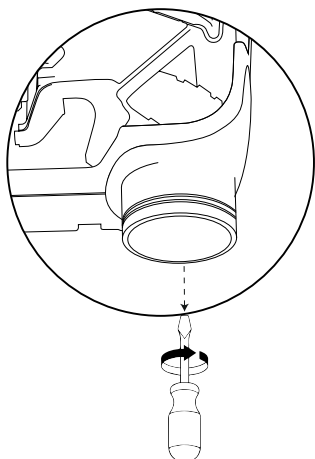
NL

ET

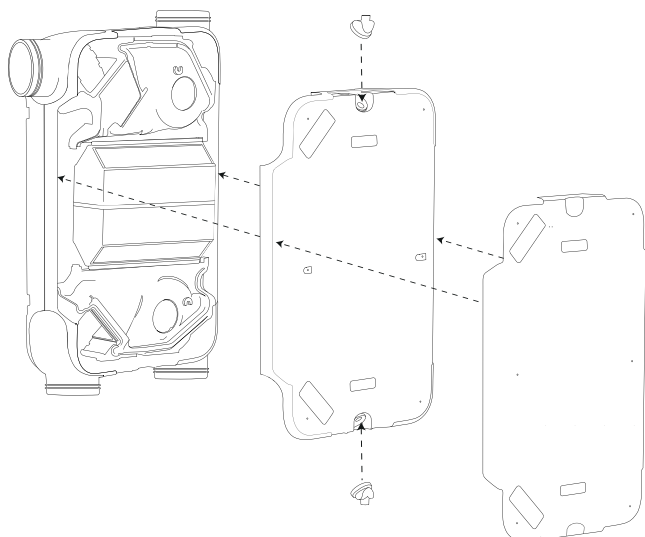
LT

LV

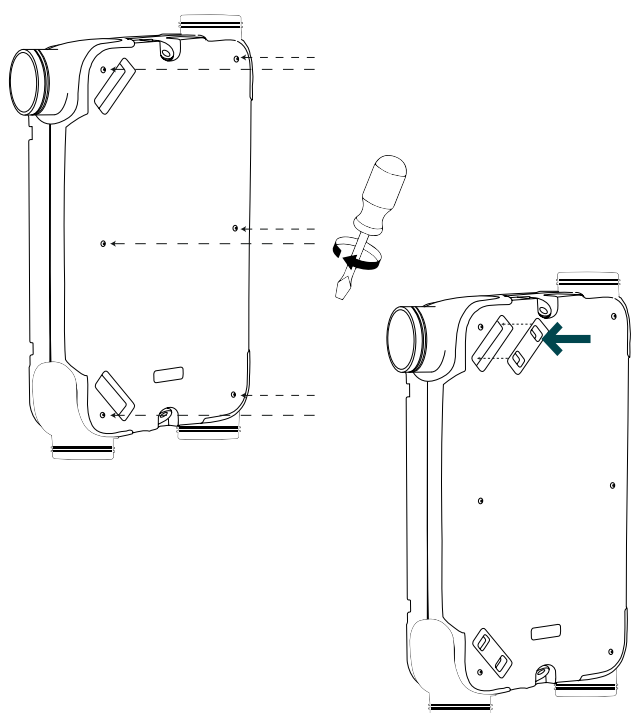
6. Keerake ühenduskruvid uuesti kinni



7. Asetage polüpropüleenist korpuse osa ja metallkate tagasi



8. Keerake kruvid uuesti kinni ja paigaldage filtrikatted



5.7. Kondensaadi äravoolu ühendamine

Zehnder EVO 3 HRV ja Zehnder EVO 3 HRV PR seadmed peavad olema varustatud kondensaadi äravoolusüsteemiga.

EVO 3 ERV ja EVO 3 ERV PR seadmete puhul ei ole see vajalik.

Kruvige 1/2" väliskeermega sifoon (ei kuulu tarnekomplekti, tuleb eraldi tellida) seadme kondensaadi äravoolu liitmiku külge.

Korrektseks hoolduseks paigaldage sifoon nii, et seda oleks võimalik hõlpsasti eemaldada ja kontrollida.

Seadme kondensaadi äravooluühendus võib olla suunatud horisontaalselt või allapoole.



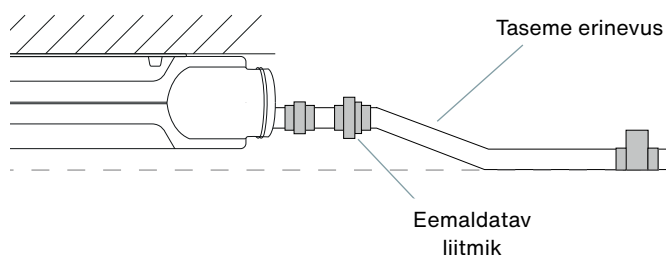
Veenduge, et kondensaadi äravoolu kaldenurk ei oleks paralleelne seadmega või selle suunas.

Tähelepanu!

Seadmetes EVO HRV ja EVO HRV PR ühendatakse ainult üks kondensaadi äravool, teine peab olema suletud.

Seadmetes EVO ERV ja EVO ERV PR peavad mõlemad kondensaadi äravoolud olema suletud. Korgid on kaasas.

Juhised horisontaalselt paigaldatud EVO seadme kondensaadi äravoolu paigaldamiseks on toodud allpool:



Kui seade on paigaldatud horisontaalselt lakke, peab kondensaadi äravool olema seadme enda tasemest madalamal.

HOIATUS!

Garantii kehtib tingimusel, et on paigaldatud Zehnderi originaal kuivsifoon ja kondensatsiooni äravoolusüsteem on õigesti ehitatud. Vastasel juhul loeb Zehnder end vabastatuks igasugusest vastutusest seadme kahjustuste korral.

EN

DE

IT

FR

NL

ET

LT

LV

6. Elektriühendused

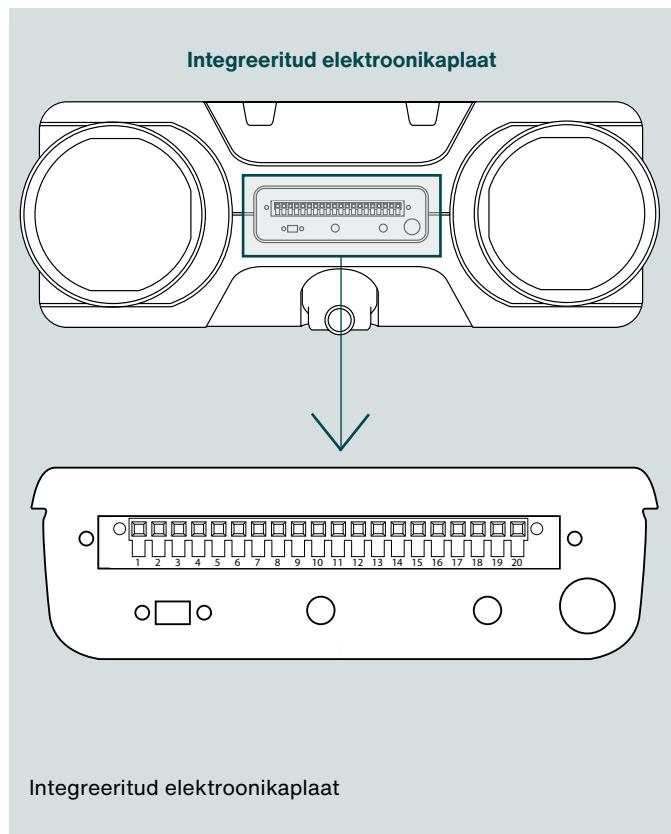
Ühendus vooluvõrguga peab olema teostatud vastavalt regulatiivsetele standarditele.

Ventilaatorid ja elektroonikaplaad töötavad 230 V toitepingel.



Kõikide seadmega seotud tööde, paigaldamise või hoolduse ajaks tuleb seade vooluvõrgust lahti ühendada.

Juhtmestiku värvide selgitus	
Pruun	Faas
Sinine	Neutraal
Roheline/kollane	Maandus



Pistikute kirjeldus		
Ühendus	Kirjeldus	Elektroonikaplaad
PIN 1	Koduautomaatika - 10 V	X-26
PIN 2	Koduautomaatika - 0 V	X-26
PIN 3	Koduautomaatika - kuiv kontakt	X-25
PIN 4	Koduautomaatika - kuiv kontakt	X-25
PIN 5	Ei kasutata	-
PIN 6	Ei kasutata	-
PIN 7	Järelküttekalorifeeri 10 V väljund (*)	X-16
PIN 8	Järelküttekalorifeeri 0 V väljund (*)	X-16
PIN 9	Vasakukäeline versioon NO/NC (*)	X-32
PIN 10	Vasakukäeline versioon NO/NC (*)	X-32
PIN 11	Ei kasutata	-
PIN 12	Valikulüliti (kiiruse lüliti) V1	X-510
PIN 13	Valikulüliti (kiiruse lüliti) V2	X-510
PIN 14	Valikulüliti (kiiruse lüliti) V3	X-510
PIN 15	Eelküttekalorifeeri 230 V väljund (**)	X-17
PIN 16	Eelküttekalorifeeri maandusväljund (**)	X-17
PIN 17	Eelküttekalorifeeri neutraalne väljund (**)	X-17
PIN 18	Ei kasutata	X-28
PIN 19	Ei kasutata	X-28
PIN 20	Ei kasutata	X-28

(*) Klemmi ei kasutata mudelite Zehnder EVO 3 HRV PR ja Zehnder EVO 3 ERV PR puhul

(**) Mudelite puhul, mille standardvarustuses on eelküttekalorifeer, kasutatakse neid klemme järelküttekalorifeeri jaoks (valikuline), mitte eelküttekalorifeeri jaoks.

EN

DE

IT

FR

NL

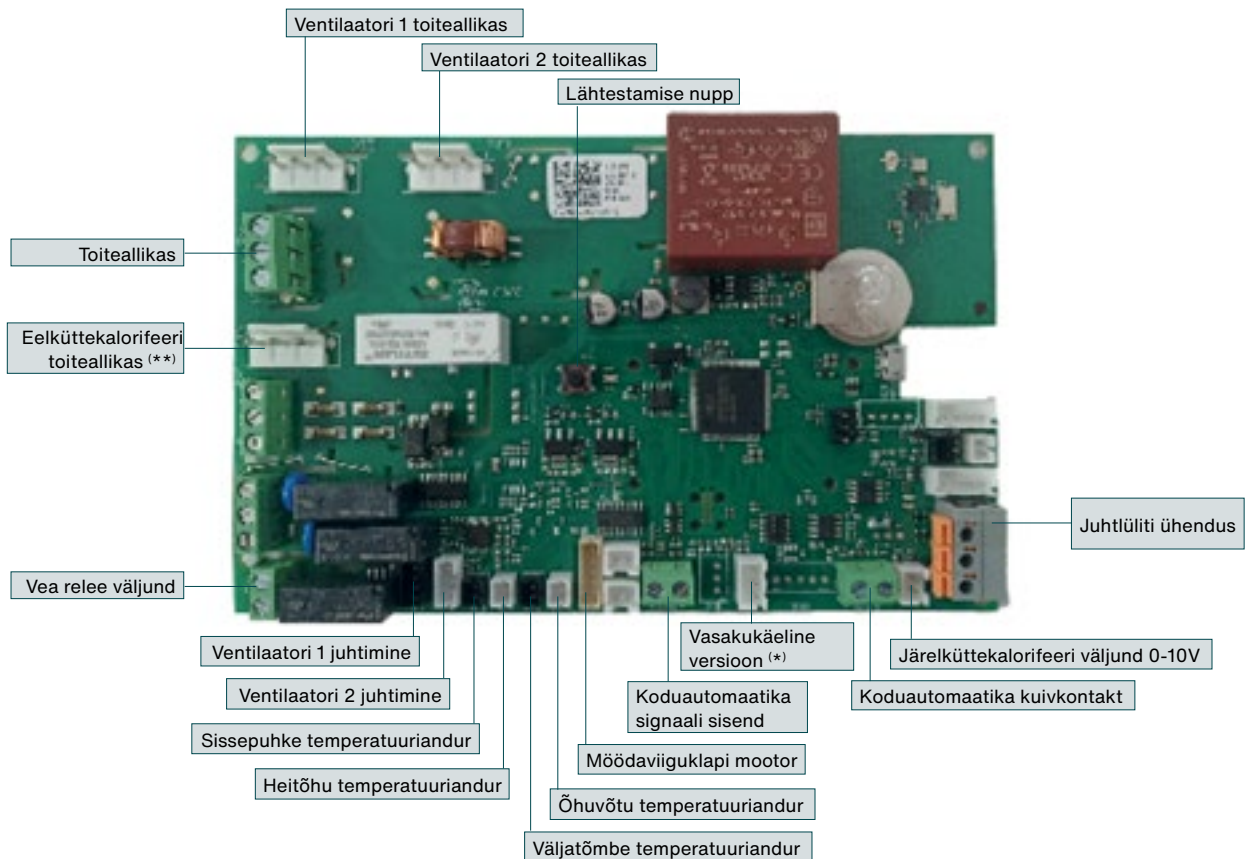
ET

LT

LV



- EN
- DE
- IT
- FR
- NL
- ET**
- LT
- LV



(*) Klemmi ei kasutata mudelite Zehnder EVO 3 HRV PR ja EVO 3 ERV PR puhul.

(**) Kasutatakse järelküttekalorifeeri puhul mudelites Zehnder EVO 3 HRV PR ja EVO 3 ERV PR.

7. Juhtimisseadmed ja ühendatavus

Zehnderi EVO-seeria seadmeid võib jälgida ja juhtida mitmel viisil. Järgnevalt on esitatud loetelu saadaolevatest tarvikutest.

7.1. Zehnder Multi Control



Zehnder EVO seadmeid saab juhtida Zehnder Multi Controli kaudu, mis võimaldab kombinatsiooni Zehnder ComfoDew või Zehnder ComfoPost järeltöötlussüsteemidega.

Ventilatsiooniseade võtab vaikumisi minimaalse ventilaatori kiiruse. Multi Control aktiveerib selles sisalduvate releede kaudu teise ja kolmanda ventilaatori kiiruse, kui kasutaja seda valib või kui see on vajalik lisaseadmetest saadud sisendi saavutamiseks.

Multi Controli abil saab kasutaja valida käsitsi või automaatse töörežiimi, kirjutada iganädalasi ajaprogramme ja vaadata filtrivahetuse teateid.



Kui lisaks Multi Controlile on seadme jälgimiseks ja juhtimiseks ühendatud mõni muu juhtpult, näiteks Zehnder EVO Sense, tuleb teine juhtpult jätta kogu aeg käsirežiimile ja ventilaatori kiirusele
1. Vastasel juhul ei tööta Multi Control õigesti.



Zehnder Multi Controli saab ühendada rakendusega Zehnder Multi Controller, mis jälgib ja juhib ventilatsiooniseadet.

7.2. Zehnder EVO Sense juhtmevaba



Juhtmevaba nutikas juhtimisseade EVO Sense suhtleb ventilatsiooniseadmega raadiosageduse (RF) kaudu ja võimaldab valida viis erinevat õhuvooluhulka. Samuti võimaldab see kasutajatel kirjutada päevaseid ja iganädalasi ajaprogramme ning määrata automaatse töörežiimi.

See on nutikas kasutaja- ja paigaldusliides ühendatud ventilatsiooniseadme jälgimiseks ja seadistamiseks.

7.3. Zehnder EVO Switch



EVO Switch 4-seadistusega juhtmevaba juhtpult suhtleb ventilatsiooniseadmega RF (raadiosageduse) kaudu ning annab võimaluse valida nelja erineva töörežiimi vahel. Sellel on filtrivahetuse teate indikaator.

7.4. Zehnder EVO CO₂-andur



Juhtmeta CO₂-andur jälgib süsihappegaasi taset ruumis, kuhu see asetatakse, ja saadab oma näidud RF (raadiosageduse) kaudu Zehnder EVO seadmesse. Seade muudab vastavalt oma õhuvooluhulka, valides anduri saadetud andmete põhjal õige taseme, et tagada siseõhu kvaliteet.

7.5. Zehnder EVO niiskusandur



Juhtmevaba andur jälgib õhu suhtelist niiskust ruumis, kuhu see on paigutatud, ja saadab oma näidud RF (raadiosageduse) kaudu Zehnder EVO seadmele. Seade muudab vastavalt oma ventileerimise õhuvooluhulka, valides anduri saadetud andmete põhjal siseõhu kvaliteedi tagamiseks õige kiiruse.

EN

DE

IT

FR

NL

ET

LT

LV

7.6. Targa kodu ühenduvus

Erinevate liideste abil saate muuta oma kodu nutikoduks:

- EVO Connect ModBus
- EVO Connect Modbus-KNX

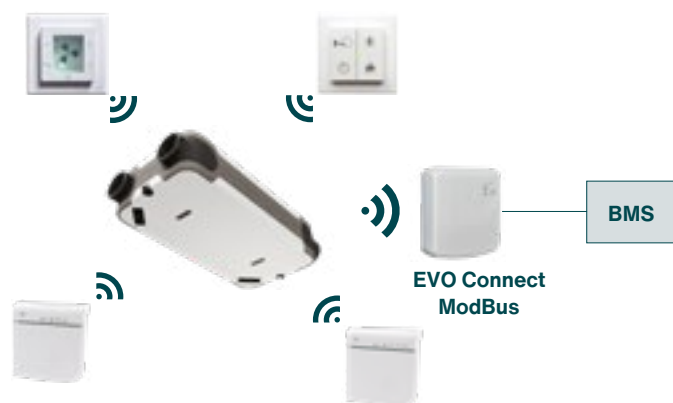
7.6.1. Zehnder EVO Connect ModBus

Lisamoodul EVO Connect ModBus on juhtmega ühendatav hooneautomaatikaga (BMS) ja seda kasutatakse ModBusi kaudu EVO ventilatsiooniseadme ja kõigi ühendatud andurite (suhteline õhuniiskus/CO₂) ja juhtmevabade juhtpultide (EVO Sense/EVO Switch) andmete lugemiseks ja sisestamiseks.

See suhtleb EVO seadmega raadiosageduse kaudu.



EVO Connect ModBus-KNX vajab korrektseks tööks 24 V AC/DC toiteallikat.



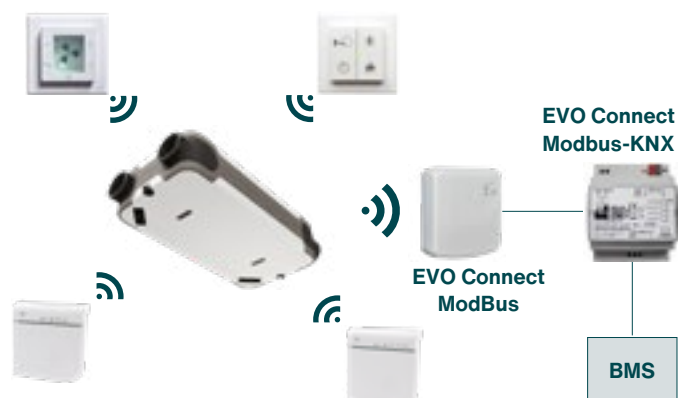
7.6.2. Zehnder EVO Connect Modbus - KNX

Seade EVO Connect ModBus-KNX on ModBus/KNX-muundur, mis on ette nähtud EVO Connect KNX-liidese ühendamiseks, et tõlkida liidese poolt kogutud andmed ja saata need juhtmega BMS-ile.

See kogub andmeid EVO-seadmetelt ja ühendatud anduritelt (suhteline niiskus/CO₂) ja juhtmevabalt juhtpuldilt (EVO Sense/EVO Switch).



EVO Connect ModBus-KNX vajab korrektseks tööks 24 V AC/DC toiteallikat.



EN

DE

IT

FR

NL

ET

LT

LV

8. Kasutuselevõtt

Ventilatsiooniseadme võib kohe pärast paigaldamist kasutusele võtta. Toimige järgmiselt.

- Enne alustamist lugege läbi kasutuselevõtu juhised.
- Sulgege kõik aknad ning välis- ja siseuksed.
- Kontrollige, et kõik plafoonid on õigesti paigaldatud ja reguleerige need avatud asendisse.
- Veenduge, et kõik ventilatsiooniseadme ja plafoonide filtrid on puhtad. Määratud filtrid võivad eksitada baasseadistuse tulemust.
- Seadke ventilatsiooniseade ventilaatori kiirusele 3. Automaatne režiim ei tohi olla aktiveeritud.
- Veenduge, et uste all olevad vahed või siirdeõhuretid oleksid takistusteta ja võimaldaksid õhul vabalt liikuda. Need peavad jääma selliseks kogu järgneva ventilatsiooniseadme töö ajal.
- Alustage plafoonide reguleerimist, alustades plafoonist, mis saab kõige väiksema õhuvoolu (tavaliselt ventilatsiooniseadmest kõige kaugemal asuv plafoon). Kasutage kalibreeritud mõõtevahendit, et seadistada iga plafooni nõutav nominaalne õhuvool.
- Energiatarbimise minimeerimiseks veenduge, et üks sissepuhke plafoon ja väljatõmbe plafoon oleksid täielikult avatud.
- Korra reguleerimist, kuni kõik plafoonid on seadistatud nõutavale õhuvooluhulgale.
- Kui õhuvooluhulka ei ole võimalik seadistada kiiruste abil saavutada, võib ventilaatori pöörlemissagedust reguleerida vastavalt vajalikule õhuvooluhulgale.

9. Toimimine

Seade tarnitakse elektrivõrku ühendamise valmidusega ja selle töö on täiesti automaatne. Siseroomidest väljatõmmatav soe õhk annab soojusenergiat värskete välisõhule üle. Värske, puhas õhk jõuab kodu siseroomidesse eeltöödeldud temperatuuril, suvel jahedana ja talvel soojana, mis tagab märkimisväärse energiasäästu.

Sõltuvalt kasutatava juhtimissüsteemi tüübist on võimalik kasutada kuni viit ventilatsiooni õhuvooluhulka.

Seade hoiab pidevalt konstantset õhuvooluhulka, mis tähendab, et ette antud sissepuhke ja väljatõmbe õhuvooluhulk tagatakse sõltumata torustiku rõhulangust.

9.1. Mõõdaviigu tööpõhimõte

Standardvarustuses olev mõõdaviik võimaldab välisõhku otse soojusvahetist mõõda juhtida, et kasutada madalaid välisõhu temperatuure teatud aegadel, näiteks suvel öösel, vabajahutuseks. Mõõdaviik lülitub automaatselt välja, kui on täidetud teatavad tingimused, nagu on näidatud allpool esitatud tabelis.

Mõõdaviigu tööpõhimõte	
Mõõdaviik avatud	<ul style="list-style-type: none"> ▪ Välistemperatuur on üle 10 °C. ▪ Suvel on välistemperatuur 3 °C madalam kui kodust väljatõmmatava õhu temperatuur ja madalam kui mugavustemperatuur. ▪ Talvel on välistemperatuur 3 °C kõrgem kui kodust väljatõmmatava õhu temperatuur ja kõrgem kui mugavustemperatuur.
Mõõdaviik suletud	<ul style="list-style-type: none"> ▪ Välistemperatuur on alla 10 °C. ▪ Suvel on välistemperatuur kõrgem kui kodust väljatõmmatava õhu temperatuur ja kõrgem kui mugavustemperatuur. ▪ Talvel on välistemperatuur madalam kui kodust väljatõmmatava õhu temperatuur ja madalam kui mugavustemperatuur.

HOIATUS!

Zehnder EVO seade tuvastab automaatselt hetke hooaja.

9.2. Külmakaitse kaitsease

Et vältida jää teket soojusvahetis, kui välistemperatuur on väga madal, on Zehnder EVO varustatud külmakaitsega.

Andurid mõõdavad temperatuuri soojusvahetis ja vajadusel vähendatakse sissepuhke õhuvooluhulga osakaalu.

Kui temperatuur jõuab ilma eelkütteta mudelites Zehnder EVO 3 HRV ja Zehnder EVO 3 ERV -2 °C või eelküttetega mudelites Zehnder EVO 3 HRV PR ja Zehnder EVO 3 ERV PR -16 °C, lülitub seade välja, et vältida soojusvaheti kahjustamist, kontrollides kord tunnis, kas temperatuur on taastunud ohutule tasemele.

EN

DE

IT

FR

NL

ET

LT

LV

10. Hooldusprotseduur



Tehke regulaarselt kõiki selles jaotises loetletud ennetavaid hooldusprotseduure. Kui ennetavaid hooldustoiminguid ei tehta regulaarselt, väheneb ventilatsioonisüsteemi jõudlus.



Enne hoolduse alustamist laske ventilatsiooniseadmel kaks minutit töötada ventilaatori kiirusel 3, et eemaldada soojusvahetist kondensaati.



Kui mõni komponent tuleb välja vahetada, tellige Zehnderilt originaalvaruosa ja laske kõik tööd teha Zehnderi volitatud spetsialistil.



Kõik hooldused, välja arvatud filtri vahetamine, peavad tegema koolitatud tehnikud.



Enne hooldustööde alustamist ühendage ventilatsiooniseade alati vooluvõrgust lahti, kui ei ole ette nähtud teisiti. Kui seadet käitatakse avatud olekus, on reaalne vigastuste oht. Veenduge, et seadet ei saa kogemata käivitada.



Võtke elektroonikaga töötamisel tarvitusele sobivad meetmed elektrostaatiliste laengute vältimiseks, sest elektrostaatiline elekter võib neid parandamatult kahjustada.

10.1. Õhufiltri hooldus

Seda hooldustoimingut võib kasutaja ise teostada.

Filtreid tuleks kontrollida iga kolme kuu tagant. Jämeda mustuse (putukad, väikesed taimeosad jne) korral võib need tolmuimejaga puhastada ja seadmesse tagasi panna.

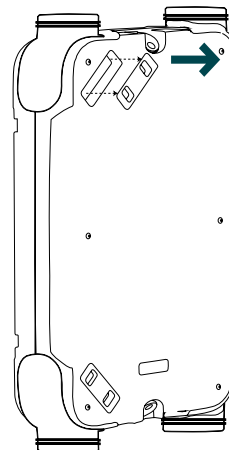
Filtreid tuleb vahetada vähemalt iga kuue kuu tagant. Hankige asendusfiltrid eelnevalt ja veenduge, et need on Zehnderi originaalfiltrid.

HOIATUS!

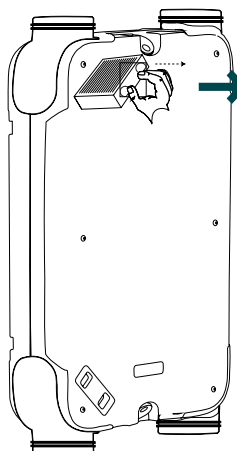
Zehnder EVO seadet ei tohi kunagi kasutada ilma filtriteta.

1. Kui kasutatakse EVO Sense kaugjuhtimispuhki, käivitage filtrite vahetamise protseduur juhtimispuhkiil. Muul juhul lülitage seade välja. Kui seade on ühendatud EVO Switch või Multi Control juhtpuldiga, ärge unustage pärast protseduuri lõppu filtrivahetuse teate lähtestamist.

2. Eemaldage filtrikatted.



3. Eemaldage määrduunud filtrid ettevaatlikult, kasutades selleks ette nähtud särke. Kui kaks filtrit ei ole samad, pange tähele nende asukohti: ISO ePM1 filter on paigaldatud õhuvõtu ava juurde ja ISO Coarse filter on paigaldatud väljatõmbeõhu juurde.



EN

DE

IT

FR

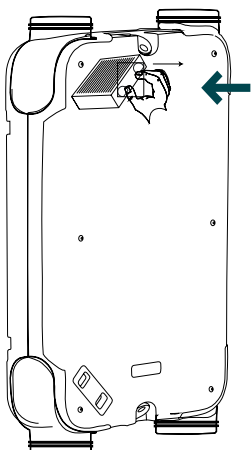
NL

ET

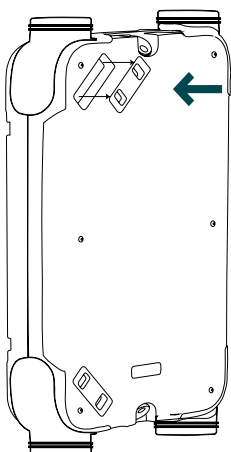
LT

LV

4. Paigaldage uued filtrid oma pesadesse, paigutades need punktis 3 kirjeldatud viisil.



5. Asetage filtrite katted tagasi oma kohale.



6. Lõpetage filtri vahetamise protseduur või taaskäivitage seade.



Kui seadme filtrid on vahetatud, puhastage ka toas plafoonide taga olevad ning välisrestide filtrid.



Utiliseerige määratud filter kui mittetaaskasutatav jäätmematerjal.

10.2. Ventilatsiooniseadme puhastamine

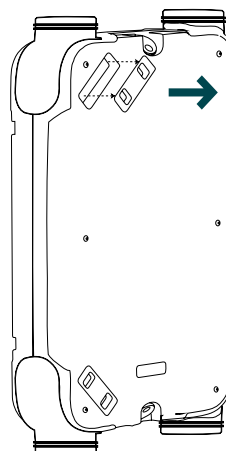
Kõiki EVO-seadme sisemisi komponente (soojusvaheti, ventilaatorid jne) tuleb kontrollida ja puhastada iga kahe aasta tagant.

HOIATUS!

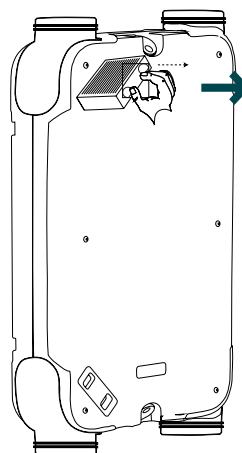
Seda hooldustööd tohib teostada ainult Zehnderi volitatud, kvalifitseeritud tehnik. Võtke ühendust Zehnderi tehnilise toega

1. Ühendage seade vooluvõrgust lahti.

2. Eemaldage filtrikatted.



3. Eemaldage filtrid ettevaatlikult, kasutades selleks ette nähtud sakke. Kui kaks filtrit ei ole samad, pange tähele nende asukohti: ISO ePM1 filter on paigaldatud õhuvõtu ava juurde ja ISO Coarse filter on paigaldatud väljatõmbeõhu juurde.



EN

DE

IT

FR

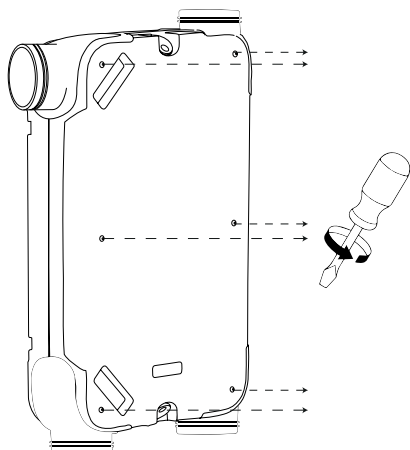
NL

ET

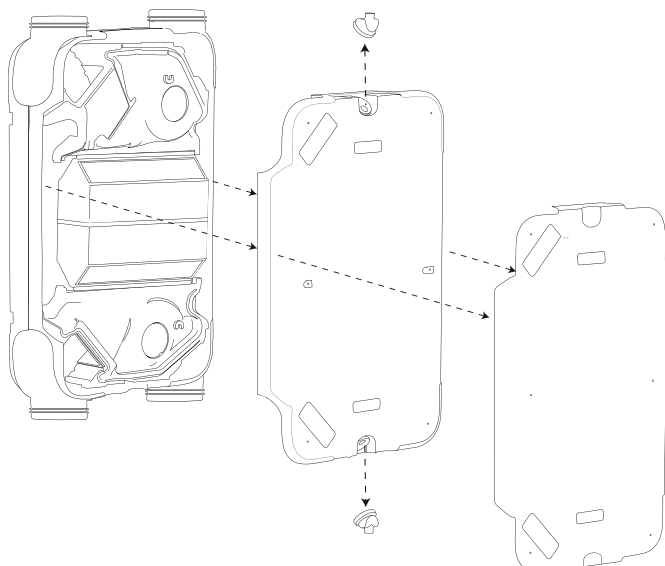
LT

LV

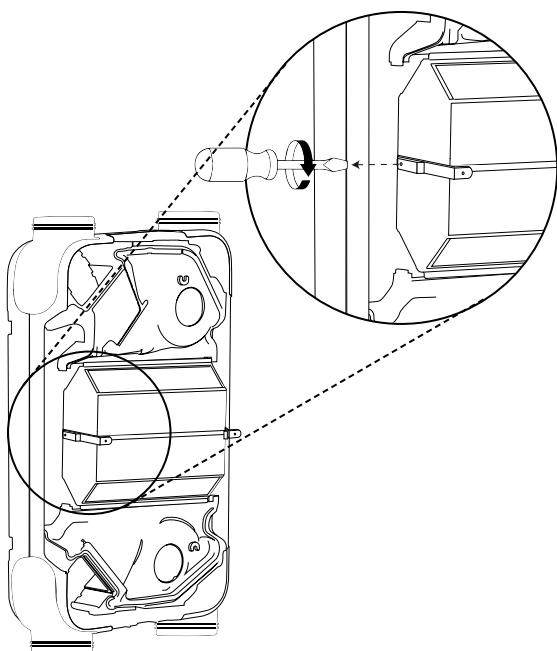
4. Eemaldage välise metallkatte kruvid.



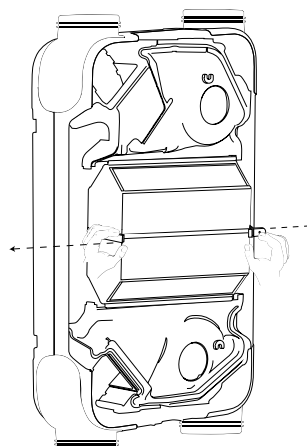
5. Eemaldage metallkatte ja polüpropüleenist korpus, paljastades soojusvaheti, ventilaatorid ja möödaviigukanali.



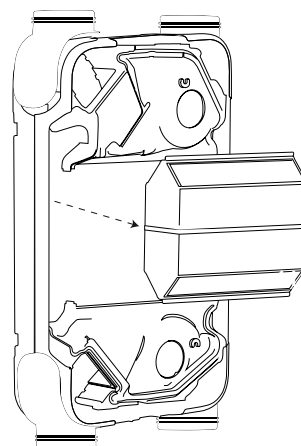
6. Keerake lahti ja eemaldage vasakpoolne kinnitusklamber.



7. Eemaldage soojusvahetit hoidvad klambrid, mis võimaldavad selle eemaldamist.

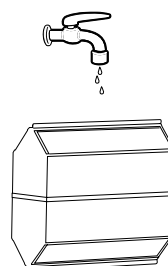


8. Eemaldage soojusvaheti.



Eemaldage soojusvaheti eriti ettevaatlikult. Soojusvaheti sees võib olla veidi kondensaati.

9. Puhastage soojusvaheti voolava vee all.



10. Kontrollige, et seadme nähtav sisemus oleks puhas: soojusvaheti ruum, möödaviigukanal, polüpropüleenist osad. Puhastage vajadusel pehme lapiga.

11. Puhastage ventilaatorid harjaga varustatud tolmuimejaga ja kontrollige, et need ei oleks kahjustatud. Kui on, vahetage need välja.

EN

DE

IT

FR

NL

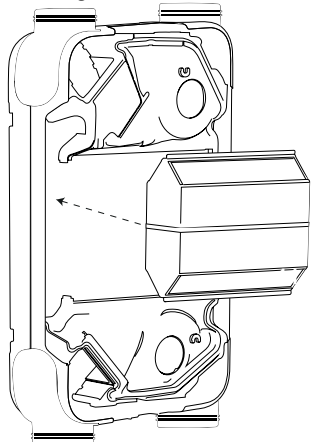
ET

LT

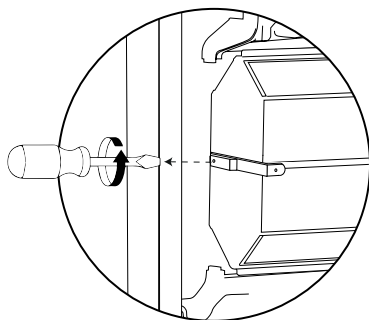
LV

12. Kui puhastusprotseduurid on lõpetatud, monteeri seade uuesti kokku.

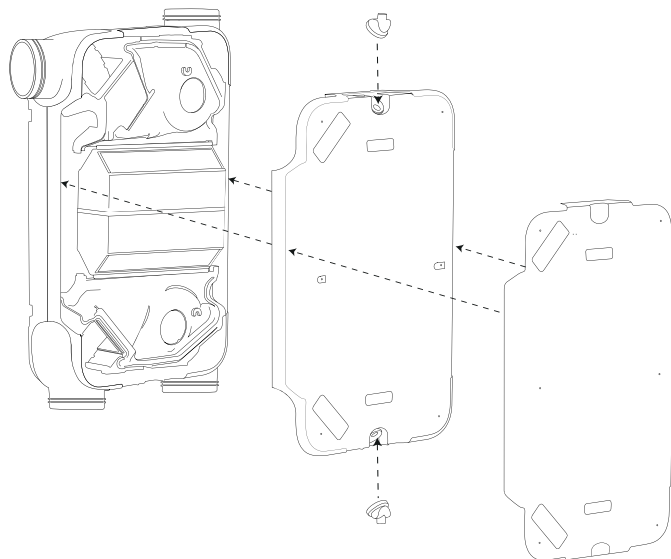
13. Pange soojusvaheti tagasi oma kohale.



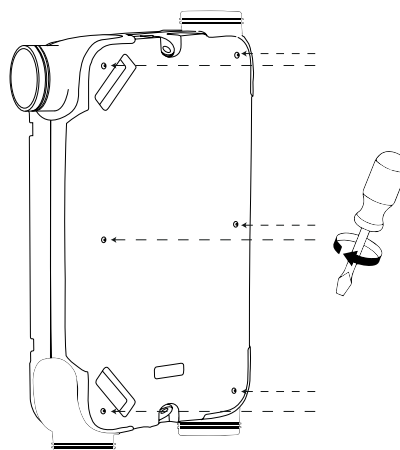
14. Asetage vasakpoolne klamber tagasi ja keerake kruvi uuesti kinni.



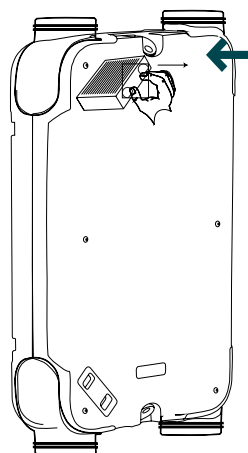
15. Asetage polüpropüleenist korpuse osa ja metallist kate tagasi.



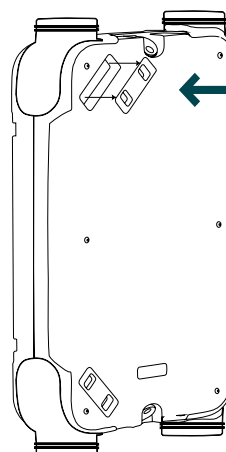
16. Keerake metallkatte kruvid uuesti kinni.



17. Paigaldage filtrid tagasi oma pesadesse, paigutades need punktis 3 kirjeldatud viisil.



18. Paigaldage filtrikatted tagasi.



Veenduge, et polüpropüleenist korpuse osa oleks täpselt joondatud põhja suhtes, ilma et külgedel oleks vahesid. Vastasel juhul kontrollige, et juhtmed oleksid õigesti paigaldatud nende jaoks ette nähtud soontesse.

EN

DE

IT

FR

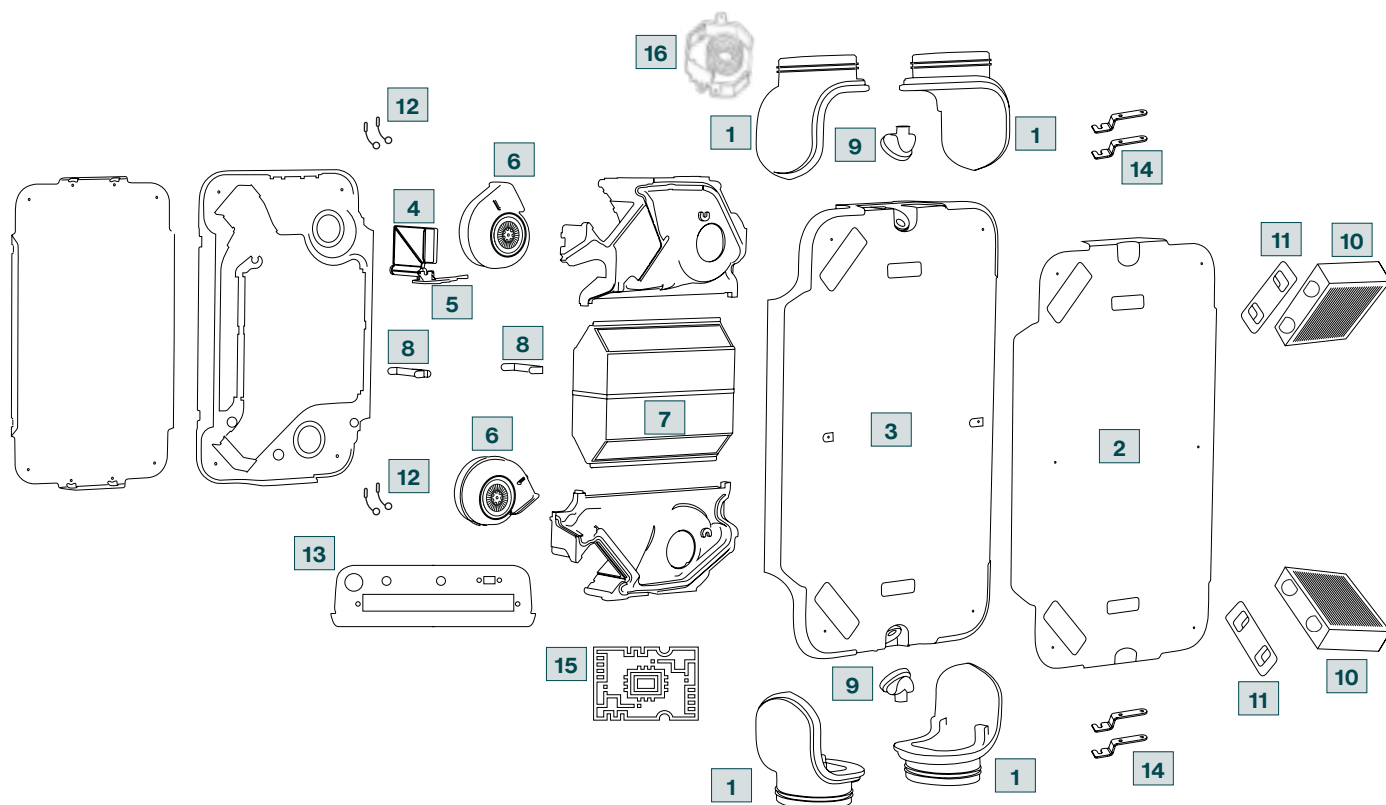
NL

ET

LT

LV

11. Seadme ülevaade ja komponentide kirjeldus



Nr.	Komponentide kirjeldus	Tükkide arv
1	Pööratav liitmik	4 tükki
2	Esiosa kate	1 tükk
3	Polüpropüleenist kate ventilatorite, soojusvaheti ja elektroonika jaoks	1 tükk
4	Möödaviiguklapp	1 tükk
5	Möödaviiguklapi mootor	1 tükk
6	Kõrge efektiivsusega ventilaatorid	2 tükki
7	Kõrge efektiivsusega soojusvaheti	1 tükk
8	Soojusvaheti kinnitusklambrid	2 tükki
9	Pööratav kondensaadi äravool	2 tükki
10	Suure jõudlusega filtrid	2 tükki
11	Filtrikate	2 tükki
12	Temperatuuriandur	4 tükki
13	Ühendusplaat	1 tükk
14	Kummipuksid	4 tükki
15	Elektroonikaplaat	1 tükk
16	Eelküte (*)	1 tükk

(*) Ainult mudelitel Zehnder EVO 3 HRV PR ja Zehnder EVO 3 ERV PR.

EN

DE

IT

FR

NL

ET

LT

LV

1. Turinys

1.	Įvadas	3
1.1.	Zehnder EVO 3 įrenginio naudojimas	3
1.2.	Garantijos sąlygos	3
2.	Įvadas ir sauga	3
2.1.	Įvadas	3
2.2.	Sauga	4
2.3.	Montavimo sąlygos	4
2.4.	Naudojimo patalpose su židiniaiis taisyklės	5
2.5.	Atitiktis	5
3.	Transportavimas ir pristatymas	5
3.1.	Transportavimo saugos nurodymai	5
3.2.	Pristatomų daiktų patikra	5
3.3.	Vėdinimo įrenginio išpakavimas	6
4.	EVO 3 įrenginio charakteristikos	6
4.1.	Jungtys	6
4.2.	Modelio modifikavimas iš „dešininės versijos“ į „kairinę versiją“	7
4.3.	Išsami įrenginio schema	7
4.4.	Techninės specifikacijos	8
4.5.	Elektrinių tenų modeliai EVO 3 HRV PR ir EVO 3 ERV PR įrenginiams	8
4.6.	Energijos vartojimo efektyvumo klasės	8
4.7.	Eksploatacinių savybių diagramos	9
4.8.	Darbiniai taškai	9
4.9.	Entalpinio šilumokaičio veikimo principas	9
4.10.	Akustiniai duomenys	10

5.	Montavimas	10
5.1.	Matmenys	10
5.2.	Preliminarūs vertinimai	10
5.3.	Montavimas	11
5.4.	Montavimas ant lubų	11
5.5.	Montavimas ant sienos	12
5.6.	Jungčių išdėstymas	14
5.7.	Kondensato nuleidimo sistemos prijungimas	15
6.	Elektros jungtys	16
7.	Valdikliai ir jungtys	18
7.1.	Zehnder Multi Control	18
7.2.	Belaidis Zehnder EVO Sense	18
7.3.	Zehnder EVO Switch RF	18
7.4.	RF CO ₂ jutiklis	18
7.5.	RF drėgmės jutiklis	18
7.6.	Išmanusis ryšys	19
7.6.1.	EVO Connect ModBus	19
7.6.2.	EVO Connect ModBus-KNX	19
8.	Paleidimas	20
9.	Veikimas	20
9.1.	Oro apvedimo sklendės (bypass) veikimas	20
9.2.	Apsaugos nuo užšalimo įrenginys	20
10.	Techninio aptarnavimo procedūra	21
10.1.	Oro filtro techninis aptarnavimas	21
10.2.	Vėdinimo įrenginio valymas	22
11.	Įrenginio apžvalga ir komponentų aprašymas	25

EN

DE

IT

FR

NL

ET

LT

LV

1. Įvadas

Įspėjimas!



Prieš montuodami ir pradėdami eksploatuoti įrenginį, atidžiai perskaitykite šį naudotojo vadovą.

Šiame dokumente pateikiama informacija apie saugų, optimalų Zehnder EVO 3 valdomo mechaninio vėdinimo įrenginio montavimą, paleidimą ir priežiūrą.

Toliau Zehnder EVO 3 gali būti vadinamas "vėdinimo įrenginiu". Kadangi mūsų gaminiai nuolat atnaujinami ir tobulinami, jūsų turimas įrenginys gali skirtis nuo čia pateiktų aprašymų. Naujausią montavimo vadovo versiją galite atsisiųsti iš "Zehnder" svetainės.

Naudojamos šios piktogramos:

Simbolis	Reikšmė
	Svarbi pastaba
	Rizika sugadinti sistemą arba pabloginti jos veikimą
	Rizika susižaloti

!/? Klausimai

Dėl visų klausimų, naujausių vadovų versijų ir informacijos apie techninio aptarnavimo centrus kreipkitės į "Zehnder" būstinę. Kontaktiniai duomenys:

Zehnder Baltics OÜ

Rannamõisa tee 38d, 13516 Tallinn, Estija
T +37064647119
info.baltics@zehndergroup.com
www.zehnder.lt

1.1. Zehnder EVO 3 įrenginio naudojimas

- Vėdinimo įrenginį ir bet kurį valdymo prietaisą galima eksploatuoti tik tuo atveju, jei jie sumontuoti pagal galiojančius nacionalinius ir vietos teisės aktus, laikantis šiame vadove ir valdymo instrukcijose pateiktų nurodymų.
- Įrenginio ir valdymo prietaiso negali naudoti asmenys (įskaitant vaikus), kurių fizinės, jutiminės ar protinės galimybės yra ribotos arba kurie neturi reikiamos patirties ir įgūdžių, nebent juos prižiūri atsakingas asmuo ir jie yra gavę saugiam naudojimui būtinus nurodymus.
- Vaikams draudžiama žaisti su vėdinimo įrenginiu.
- Vaikai be priežiūros negali atlikti jokių veiksmų su vėdinimo įrenginiu.

1.2. Garantijos sąlygos

Gamintojas vėdinimo įrenginiui suteikia garantiją, kurios trukmė yra 24 mėnesiai nuo montavimo arba ne daugiau kaip 30 mėnesių nuo pagaminimo datos. Teisė į garantiją gali būti taikoma tik dėl medžiagų ir (arba) konstrukcijos defektų, atsiradusių garantiniu laikotarpiu.

Jei prašoma atlikti garantinius darbus, vėdinimo įrenginio negalima atidaryti ar išardyti be raštiško gamintojo leidimo. Garantija taikoma tik tiems remonto darbams ir dalims, kuriuos atlieka įgaliotasis techninio aptarnavimo centras, naudodamas originalias "Zehnder" atsargines dalis.

Garantija nustoja galioti, jei:

- Baigėsi garantinis laikotarpis.
- Vėdinimo įrenginys naudojamas be originalaus Zehnder filtro arba be išorinių sieninių grotelių.
- Nenaudojamos originalios "Zehnder" atsarginės dalys.
- Vėdinimo įrenginys buvo neleistinai modifikuotas arba pakeistas.
- Defektai atsirado dėl neteisingo montavimo, netinkamo naudojimo ar prastos sistemos priežiūros.

2. Įvadas ir sauga

2.1. Įvadas

Zehnder EVO 3 yra priverstinio vėdinimo įrenginys su rekuperacija, skirtas užtikrinti nuolatinę, energiją taupančią oro apykaitą mažuose pastatuose, butuose ir namuose. Vėdinimo įrenginys ištraukia drėgną, užsistovėjusį orą iš tokių patalpų, kaip virtuvės ir vonios kambariai, ir tuo pačiu metu tiekia tokį pat šviežio oro srautą į gyvenamąsias patalpas, pavyzdžiui, poilsio kambarius, miegamuosius ir pan. Oras cirkuliuoja pro tarpus po durimis arba specialias, orui pralaidžias ir garsą slopinančias, groteles.

Priverstinio vėdinimo įrenginio sistemą sudaro:

- vėdinimo įrenginys;
- lauko oro įsiurbimo ir oro išleidimo iš įrenginio ortakiai;
- antriniai šviežio ir ištraukiamo oro kanalai įvairiose patalpose;
- vožtuvai ir grotelės, skirtos šviežiam orui tiekti į poilsio kambarius, miegamuosius ir kitas gyvenamąsias patalpas;
- vožtuvai ir grotelės, skirtos užsistovėjusiam orui šalinti iš virtuvių, vonios kambarių ir kitų drėgnų patalpų;
- išorinės sieninės grotelės orui įsiurbti ir išleisti.

EN

DE

IT

FR

NL

ET

LT

LV



Prieš pradėdami naudoti vėdinimo įrenginį, perskaitykite vadovą.



Įsitinkite, kad tarpai po durimis arba tranzitinės grotelės nebūtų užkimšti, kad oras galėtų cirkuluoti pastate.



Išorinėje vėdinimo įrenginio pusėje gali susidaryti kondensatas. Jei taip atsitinka, jokių veiksmų imtis nereikia.



Vėdinimo įrenginį reikia utilizuoti aplinkai nekenksmingu būdu. Neišmeskite įrenginio kartu su buitinėmis atliekomis.

2.2. Sauga

Atidžiai perskaitykite visas saugos instrukcijas, kad užtikrintumėte saugų ir teisingą vėdinimo įrenginio naudojimą.



ĮSPĖJIMAS! Pavojinga elektros įtampa. Įvykus stichinei nelaimei, atjunkite elektros energijos tiekimą.



Laikykitės šiame vadove pateiktų saugos taisyklių, atsargumo priemonių bei nurodymų. Nesilaikant šių reikalavimų, galite sugadinti įrenginį arba susižaloti.



Montavimą, paleidimą ir techninį aptarnavimą turi atlikti profesionalūs montuotojai, nebent instrukcijose nurodyta kitaip.



Neatidarinėkite vėdinimo įrenginio. Profesionalus montuotojas turi užtikrinti, kad visos dalys, galinčios sužaloti asmenis, būtų saugiai patalpintos įrenginio viduje.



Jei šiame vadove nenurodyta kitaip, visą laiką laikykite įrenginį veikiantį. Priešingu atveju gali kauptis drėgmė ir atsirasti pelėsis.



Draudžiama modifikuoti vėdinimo įrenginį ir prie jo prijungtus valdymo prietaisus. Dėl fizinių ar programinės įrangos pakeitimų yra prarandama garantinė apsauga, gali atsirasti gedimų arba sužaloti asmenis.



Jei maitinimo laidas pažeistas, jį turi pakeisti "Zehnder" įgaliotas specialistas.



Montuojant įrenginį, vadovaukitės galiojančiais nacionaliniais ir vietos teisės aktais bei šiomis instrukcijomis. Įrenkite apsauginį jungiklį maitinimo šaltiniui atjungti.



Prieš pradėdant bet kokius techninio aptarnavimo ar remonto darbus, visada atjunkite vėdinimo įrenginį nuo elektros tinklo. Įsitinkite, kad jis atsitiktinai neįsijungtų iš naujo.



Neįjunkite vėdinimo įrenginio, kai jis atidarytas: elektros įtampa ir ventiliatorių judėjimas gali sužaloti žmogų.



Dirbant su įrenginiu imkitės atitinkamų atsargos priemonių, kad išvengtumėte elektrostatinės iškvos. Statinė elektra gali pažeisti elektrinius komponentus.

2.3. Montavimo sąlygos

Vėdinimo įrenginys skirtas naudoti namuose, biuruose, nedidelėse dirbtuvėse ir panašiose vietose, jei:

- nėra pirčių ar baseinų;
- drėgmės lygis nėra per didelis;
- dulkių lygis nėra per didelis;
- nėra kenksmingų ar galinčių sukelti koroziją medžiagų.

Norėdami nustatyti, ar vėdinimo įrenginį galima naudoti numatytoje vietoje, patikrinkite, ar:

- yra 230 V, 50 Hz elektros tiekimas; bet kokia kita darbinė įtampa ar dažnis gali nepataisomai sugadinti įrenginį;
- patalpos temperatūra visą laiką atitinka leistinas normas (žr. lentelę "Techninės specifikacijos");
- drėgmė patalpoje nėra per didelė, nesikondensuoja ir visą laiką atitinka leistinas normas (žr. lentelę "Techninės specifikacijos"). Nemontuokite įrenginio patalpose, kuriose drėgmė yra didesnė nei vidutinė, pavyzdžiui, vonios kambariuose ar persirengimo patalpose.

Patikrinkite, ar įrengimo zonoje yra pakankamai vietos oro paskirstymo sistemai.

Montuokite vėdinimo įrenginį lengvai prieinamoje vietoje, kad būtų galima atlikti techninio aptarnavimo procedūras.

Zehnder EVO 3 gali būti montuojamas ant sienos arba lubų, naudojant pridedamus montavimo laikiklius.



Norėdami patikrinti įvairias montavimo galimybes, žr. specialų skyrį.

EN

DE

IT

FR

NL

ET

LT

LV

2.4. Naudojimo patalpose su židiniais taisyklės

Norint saugiai naudoti vėdinimo įrenginį, reikia atsižvelgti į vietos reikalavimus, nurodytus atitinkamuose reglamentuose, įstatymuose ir direktyvose. Zehnder EVO 3 galima montuoti tik pramogų vietose, butuose ar panašiuose pastatuose, kur įrengti židiniai ar kitos degimo sistemos, veikia naudojant aplinkos orą, jei:

- saugos prietaisai neleidžia vienu metu veikti aplinkos oro židiniams ir oro ištraukimo sistemai.

Arba

- dūmų išmetimą iš degimo sistemos, veikiančios aplinkos oru, kontroliuoja specialūs saugos prietaisai. Jei degimo sistemoje deginamas skystasis arba dujinis kuras, suveikus saugos prietaisui, degimo arba vėdinimo sistema turi būti išjungta. Jei degimo sistemoje deginamas kietasis kuras, suveikus saugos prietaisui turi būti išjungta vėdinimo sistema.

Jeigu pastato bloke yra degimo sistemų, naudojančių aplinkos orą ir prijungtų prie dūmų išmetimo sistemų su keliomis jungtimis, priverstinio vėdinimo įrenginių montuoti tokioje vietoje negalima. Norint užtikrinti tinkamą funkcionavimą, turi būti įmanoma išjungti atviros kameros sistemų degimo ortakius ir išmetamųjų dujų išmetimo sistemas.

Kietojo kuro židiniams turi būti numatyta užgesinimo galimybė naudojant rankiniu būdu valdomą išjungimo prietaisą. Išjungimo prietaiso padėtis turi būti aiškiai matoma nuo valdymo rankenos padėties. Šis reikalavimas tenkinamas, jei naudojamas suodžių blokavimo prietaisas.

Priešgaisrinės saugos reikalavimai: turi būti laikomasi nacionalinių ir vietos teisės aktų, susijusių su priverstinio vėdinimo sistemos montavimu ir priešgaisrine sauga.

2.5. Atitiktis

Gamintojo "Zehnder EVO" vėdinimo įrenginiai

Siber Zone S.l.u.



C/Can Marcia 2
08520 Las Frenquesas des Vallés
Apto de Correos n°9
Barcelona, Ispanija

atitinka ES atitikties deklaracijas, direktyvas ir reglamentus bei EAC sertifikato normas.

3. Transportavimas ir pristatymas

3.1. Transportavimo saugos nurodymai



Leistinas laikymo ir transportavimo temperatūros intervalas yra nuo -20 °C iki +50 °C.



Prieš transportuodami vėdinimo įrenginį perskaitykite saugos instrukcijas.



Gabenant vėdinimo įrenginį visada pasitelkite kito asmens pagalbą. Transportuojant ir išpakuojant vėdinimo įrenginį reikia elgtis atsargiai.



Vėdinimo įrenginio kraštai gali būti aštrūs. Dėvėkite apsaugines pirštines, kad neįsijautumėte.

3.2. Pristatomų daiktų patikra

Dėžės turinys:

- Zehnder EVO 3 vėdinimo įrenginys;
- Trumpasis montavimo vadovas;
- EcoDesign etiketė;
- Montavimo laikikliai;
- Pakuotė su antivibracinėmis jungtimis ir tvirtinimo varžtais.

Patikrinkite nominaliąją lentelę, kad įsitikintumėte, jog pristatytas įrenginys yra tinkamas:

- EVO 3 HRV: įrenginys su standartiniu šilumokaičiu;
- EVO 3 ERV: blokas su entalpinio šilumokaičiu;
- EVO 3 HRV PR: įrenginys su standartiniu šilumokaičiu ir elektriniu tenu;
- EVO 3 ERV PR: įrenginys su entalpinio šilumokaičiu ir elektriniu tenu.



Jei vėdinimo įrenginys akivaizdžiai pažeistas arba trūksta priedų, nedelsdami kreipkitės į tiekėją.

Zehnder EVO 3 vėdinimo įrenginys pristatomas be reguliavimo priedų. Apie pasirenkamus priedus žr. atitinkamą skyrį.

EN

DE

IT

FR

NL

ET

LT

LV

3.3. Vėdinimo įrenginio išpakavimas

Atidarykite kartoninės pakuotės viršų. Pakelkite vėdinimo įrenginį iš pakuotės ir padėkite jį ant švaraus, minkšto paviršiaus, kad jo nepažeistumėte.

Kartoninę dėžę pasilikite kaip šabloną gręžiant skylės, reikalingas montuojant įrenginį.



Su vėdinimo įrenginiu elkitės atsargiai. Įrenginiai pakelti reikia dviejų žmonių. Nelaikykite įrenginio už jungiamųjų detalių, nes galite jas sugadinti.



Pakuotę išmeskite aplinkai saugiu būdu.



Pasirūpinkite, kad nepamestumėte pateiktų priedų.

4. EVO 3 įrenginio charakteristikos

Zehnder EVO 3 įrenginys yra dvigubo srauto priverstinio vėdinimo įrenginys, kurio našumas siekia iki 88,9 % (eksploatacinių savybių deklaracija pagal ES 1254/2014), maksimalus vėdinimo srauto intensyvumas - 300 m³/h, energiją taupantys ventiliatoriai ir automatinė oro apvedimo sklendė, leidžianti "laisvai vėsinti".

EVO 3 įrenginio charakteristikos:

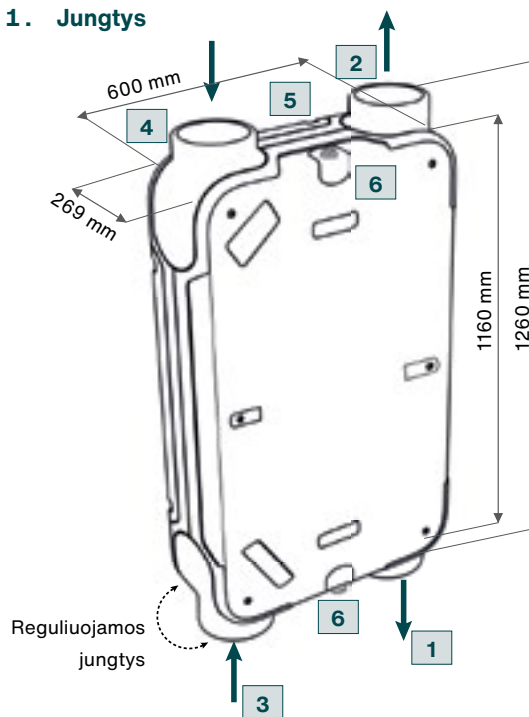
- nuolatinis oro srautų reguliavimas valdymo pulte;
- filtro būsenos indikatorius;
- išmanioji apsaugos nuo užšalimo reguliavimo sistema, užtikrinanti optimalų funkcionavimą net esant žemai temperatūrai. Jeigu įsigytas įrenginys yra „PR“ versijos, prireikus įjungiamas elektrinis tenas;
- mažas triukšmo lygis;
- standartiškai komplektuojama automatinė oro apvedimo sklendė;
- pastovaus srauto greičio reguliavimas;
- didelis našumas ir mažas energijos suvartojimas.

"Zehnder EVO 3" yra 4 versijų:

- EVO 3 HRV: įrenginys su standartiniu šilumokaičiu;
- EVO 3 ERV: blokas su entalpinio šilumokaičiu;
- EVO 3 HRV PR: įrenginys su standartiniu šilumokaičiu ir elektriniu tenu;
- EVO 3 ERV PR: įrenginys su entalpinio šilumokaičiu ir elektriniu tenu.

Ši montavimo instrukcija taikoma visoms "Zehnder EVO 3" įrenginio versijoms.

4.1. Jungtys



Standartinės „dešinės versijos“ konfigūracijos raktas

Simbolis	Reikšmė
1	Šviežio oro srautas į butą
2	Užsistovėjusio oro ištraukimas į lauką
3	Užsistovėjusio oro ištraukimas iš buto
4	Šviežio oro įsiurbimas iš lauko
5	Elektros jungtys
6	Kondensato nuvedimas *

* EVO 3 HRV ir EVO 3 HRV PR įrenginiams būtina jungtis prie kondensato nuvedimo sistemos. Daugiau informacijos rasite atitinkamame skyriuje.

EN

DE

IT

FR

NL

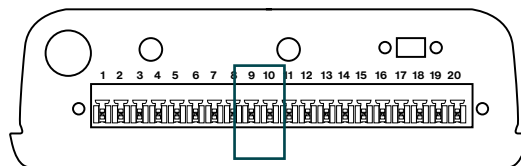
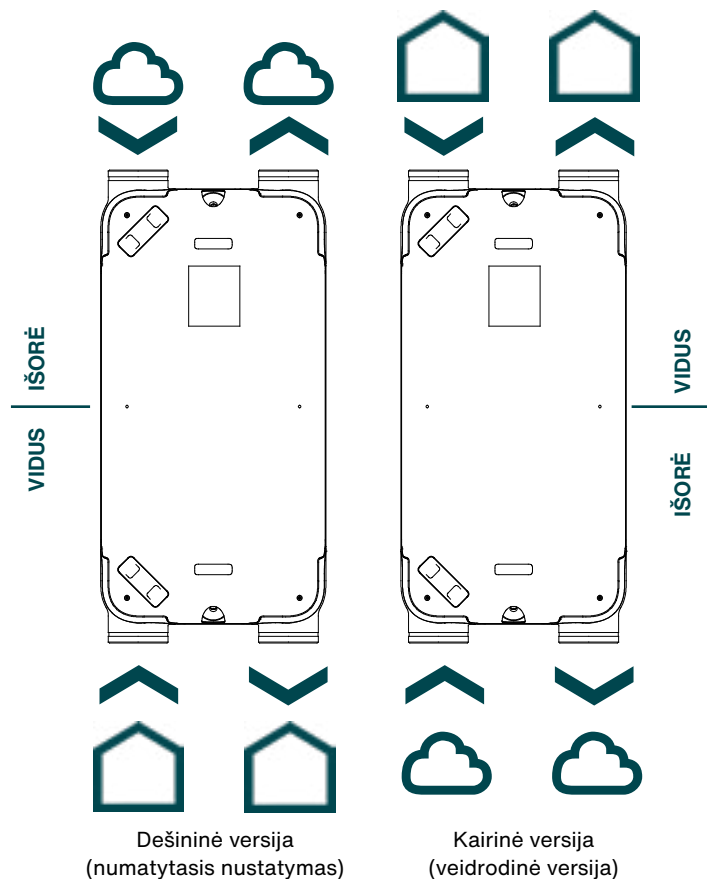
ET

LT

LV

4.2. Modelio modifikavimas iš „dešinės versijos“ į „kairinę versiją“

Norėdami pakeisti nustatymą iš „dešinės versijos“ į „kairinę versiją“, tiesiog uždėkite jungiklį ant 9 ir 10 jungčių.



SVARBU!

Jei įrenginys montuojamas ant sienos, jį galima montuoti TIK taip, kad elektros jungtys būtų nukreiptos į viršų.

Įrenginys su šilumokaičiu (HRV) **PRIVALO** būti montuojamas taip, kad lauko oro įleidimo ir užsistovėjusio oro išleidimo jungčių taškas būtų nukreiptas žemyn („kairinė versija“).

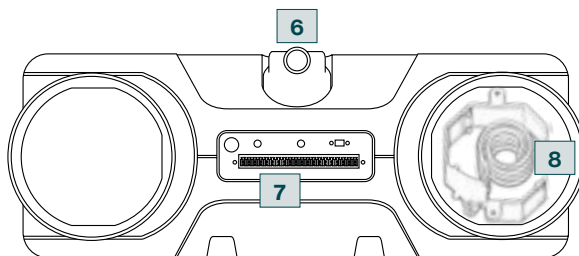
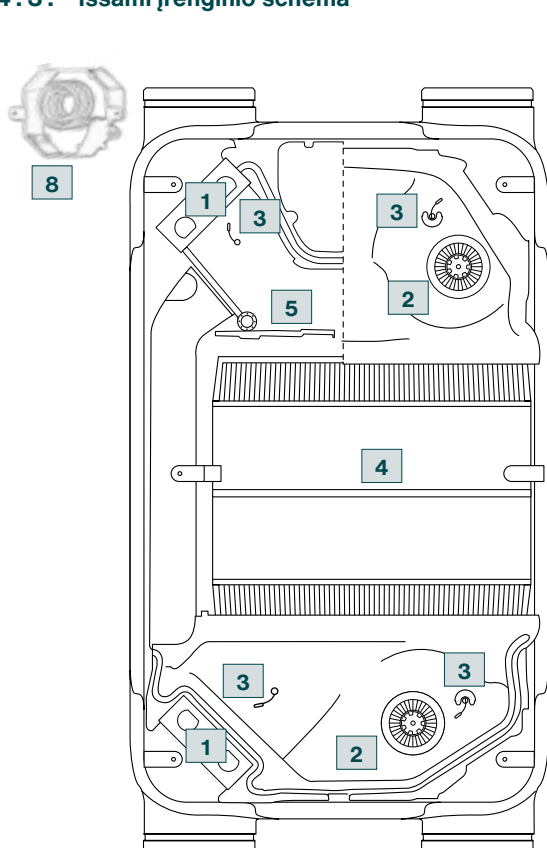
Žr. atitinkamą skyrių.

SVARBU!

Įrenginio modifikavimas iš „dešinės versijos“ į „kairinę versiją“ negalimas šiems modeliams:

EVO 3 HRV PR ir EVO 3 ERV PR

4.3. Išsami įrenginio schema








Simbolis	Reikšmė
1	Didelio našumo filtrai
2	Energiją taupantys ventiliatoriai
3	Temperatūros jutikliai
4	Didelio efektyvumo šilumokaitis
5	Automatinė oro apvedimo sklendė ("by-pass")
6	Kondensato nuvedimas *
7	Elektros jungtys
8	Tenas **

* EVO 3 HRV ir EVO 3 HRV PR įrenginius būtina prijungti prie kondensato nuvedimo sistemos

** Standartinė komplektacija tik modeliuose EVO 3 HRV PR ir EVO 3 ERV PR

4.4. Techninės specifikacijos

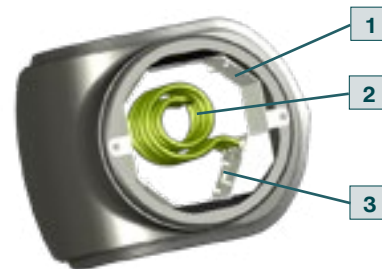
Zehnder EVO 3					
Matmenys (ilgis x plotis x gylis)	1160 x 600 x 269 mm				
Svoris	36 kg				
Montavimas	Horizontaliai ant lubų arba vertikaliai ant sienos (*)				
Įrengimo aplinkos temperatūros diapazonas	nuo 10 iki 45 °C				
Įrengimo aplinkos drėgmės diapazonas	< 90 % nekondensuojanti				
Kondensato nuvedimo jungtis (Ø)	1/2"				
Prijungimo ortakių dydis (Ø)	Ø 160				
Tinklo įtampa	230 V / 50 Hz				
Maksimalus oro srauto intensyvumas	300 m³/h / 83.2 l/s				
	Zehnder EVO 3 HRV		Zehnder EVO 3 ERV		
Standartiniai filtrai	2x ISO Coarse 65 % (G4) srautui ir ištraukimui				
Papildomi filtrai	ISO ePM1 55 % (F7) / ISO Coarse 65 % (G4) srautui ir ištraukimui				
Vėdinimo režimas					
ComfoSense S valdymas	0	1	2	3	Padidinti
Vėdinimo srauto intensyvumas (m³/h)	90	120	180	240	300

(*) Žr. atitinkamą skyrių apie įrenginio montavimo prie sienos parinktis ir atsargumo priemones

4.5. Elektrinių tenų modeliai EVO 3 HRV PR ir EVO 3 ERV PR įrenginiams

Elektrinis tenas standartiškai montuojamas EVO 3 HRV PR ir EVO 3 ERV PR modeliuose, ant lauko oro įleidimo jungties. Jis padidina įeinančio oro temperatūrą 10 °C ir apsaugo rekuperatorių šalčiausiomis metų dienomis. Jei įmanoma, patartina įrengti išorinį išankstinį filtrą, kad ant šildymo elemento nesikauptų nešvarumai.

1. AISI304L nerūdijančiojo plieno kaitinimo elementai
2. Galingumas 1 kW
3. Automatinis išjungimas esant 40 °C temperatūrai apsaugo nuo perkaitimo



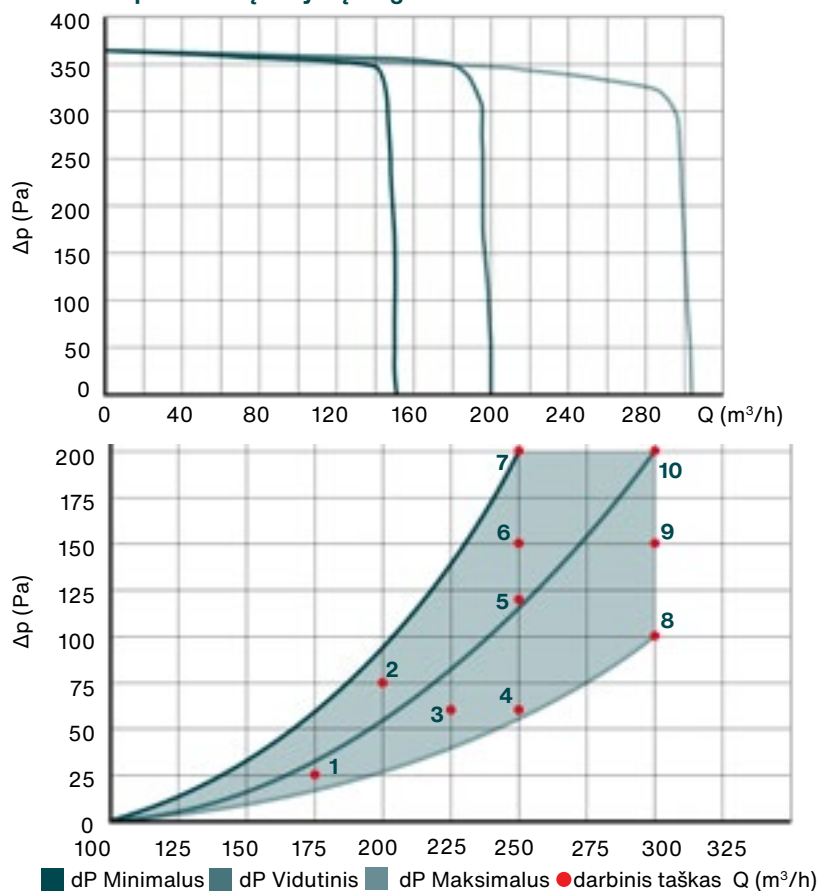
4.6. Energijos vartojimo efektyvumo klasės

Energinio naudingumo klasės pagal Europos Sąjungos reglamentą Nr. 1254/2014.

Energetiniai duomenys		Energetiniai duomenys	
ES energijos sąnaudų etiketė EVO 3 HRV		ES energijos sąnaudų etiketė EVO 3 ERV	
Energijos vartojimo efektyvumo klasė	A+ **	Energijos vartojimo efektyvumo klasė	A **
Maksimalus tūrinio oro srauto intensyvumas [m³/h]	300	Maksimalus tūrinio oro srauto intensyvumas [m³/h]	300
Sertifikuotas energijos vartojimo efektyvumas	88.9%	Sertifikuotas energijos vartojimo efektyvumas	74.3%
Triukšmo stiprumo lygis LWA dB(A)	45	Triukšmo stiprumo lygis LWA dB(A)	45

** priklausomai nuo pasirinkto valdymo bloko / jutiklių tipo.

4.7. Eksploatacinių savybių diagramos

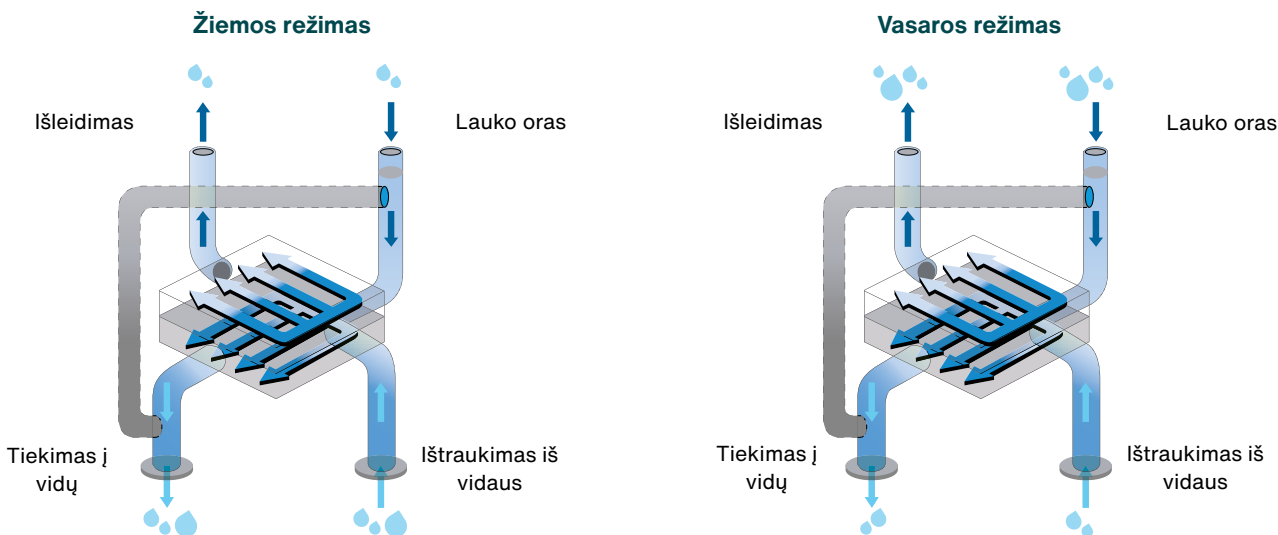


4.8. Darbiniai taškai

Darbiniai taškai

Taškas	Srauto intensyvumas [m³/h]	Slėgis [Pa]	Maitinimas [W]	SFP [W/l/s]
1	175	25	28	0.58
2	200	75	56	1.01
3	225	60	66	1.06
4	250	60	84	1.21
5	250	120	106	1.53
6	250	150	113	1.63
7	250	200	151	2.17
8	300	100	133	1.60
9	300	150	146	1.75
10	300	200	153	1.84

4.9. Entalpinio šilumokaičio veikimo principas



Žiemą iš namų aplinkos ištraukiamas šiltas, drėgnas oras iš virtuvių ir vonios kambarių. Šilumokaičio viduje šis oras susitinka su šaltu, labai sausu lauko oru ir perduoda jam savo šilumą bei dalį drėgmės.

Tai reiškia, kad lauko oras į patalpą tiekiamas tokios temperatūros ir drėgmės, kuri palaiko aukščiausią komforto lygį patalpose, pernelyg nesusausinant oro.

Entalpinis šilumokaitis padeda šildymo sistemai palaikyti idealią oro temperatūrą net ir šalčiausiu oru.

Vasarą iš patalpų aplinkos ištraukiamas vėsus, nusaustas oras. Šilumokaičio viduje jis susitinka su karštu, drėgnu lauko oru, jį iš anksto atvėsindamas ir sausindamas.

Tokiu būdu vėdinimo įrenginys padeda aktyviai vėsinimo ir sausavimo sistemai palaikyti patalpų komfortą su itin nedidelėmis energijos sąnaudomis.

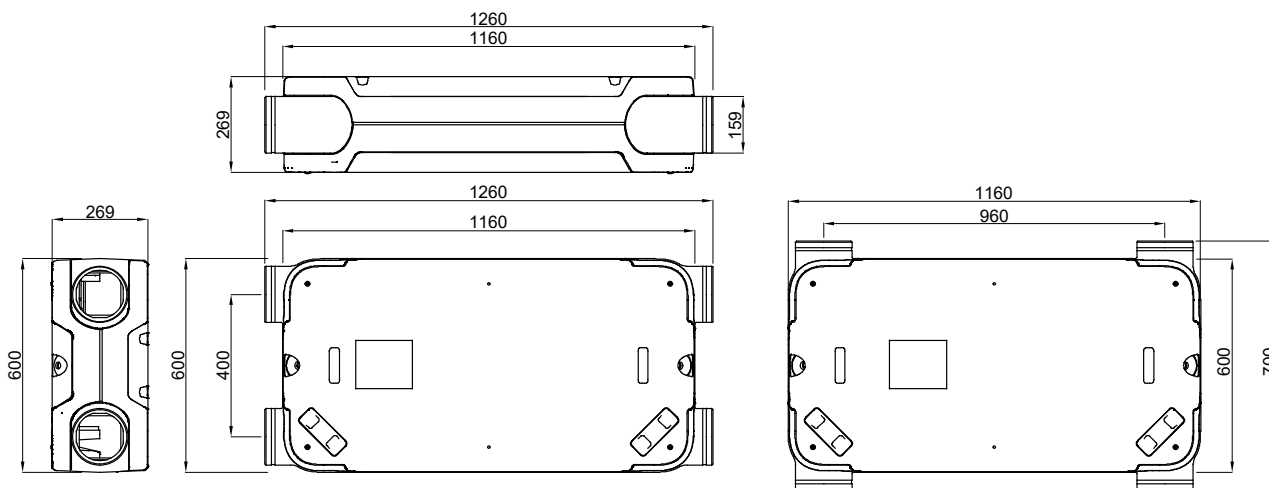
Entalpinis šilumokaitis puikiai tinka vėsesniam oro apdorojimui, kaip oro sausintuvas kartu su spindulinio vėsinimo įrenginiu arba kaip oro kondicionavimo vėdinimo įrenginys.

4.10. Akustiniai duomenys

Triukšmo lygis									
Atskaitinis srauto intensyvumas		m ³ /h	90	150	200	300			
Atskaitinis pasipriešinimas		Pa	50	50	100	80	150	100	200
Triukšmo stiprumas L _w (A)	Įrenginio triukšmo parametrai	dB(A)	36	40	44	46	49	52	54
	Oro ištraukimo iš patalpų ortakis	dB(A)	38	42	46	47	50	54	56
	Tiekiamo oro ortakis	dB(A)	53	55	60	61	64	67	69
Triukšmo slėgis L _p (A) 1,5 m atstumu	Įrenginio triukšmo parametrai	dB(A)	21	25	29	31	34	37	39

5. Montavimas

5.1. Matmenys



5.2. Preliminarūs vertinimai



Prieš atlikdami bet kokią montavimo ar demontavimo procedūrą, atjunkite elektros energijos tiekimą.



Įsitikinkite, kad įrenginys neturi sąlyčio su vandeniu ar vandens pusrslais.



Montuodami įrenginį, laikykite vaikus ir naminius gyvūnus atokiau nuo montavimo vietos.



Įsitikinkite, kad aplink įrenginį, priešais jį ir (arba) po juo palikta pakankamai vietos techniniam aptarnavimui.

Norint tinkamai sumontuoti vėdinimo įrenginį ir jo nepažeisti, reikalingi du asmenys.

Zehnder EVO 3 galima montuoti tiesiai ant sienos arba lubų naudojant pridedamus montavimo laikiklius.

Norint išvengti vibracijos, įrenginys turi būti montuojamas ant sienos arba lubų, kurių tankis ne mažesnis kaip 200 kg/m²; vien betoninės ar metalinės konstrukcijos nepakanka. Tokiu atveju reikalingos papildomos priemonės, pavyzdžiui, dvigubo standumo plokštės arba papildomi laikikliai.

Siekiant išvengti ventiliatoriaus vibracijos ir triukšmo, įrenginys turi būti sulyguotas vertikaliai arba horizontaliai (priklausomai nuo montavimo padėties).

5.3. Montavimas



Nemontuokite įrenginio lauke. Patikrinkite, ar montavimo aplinkos temperatūra ir drėgmės lygis visada atitinka leistinas normas.

Vėdinimo sistema gali būti montuojama horizontaliai (ant lubų laikiklių) arba vertikalčiai (ant sieninių laikiklių).

Jeigu pasirinktas įrenginys yra EVO 3 HRV arba EVO 3 HRV PR, montavimo vietoje turi būti įrengta efektyvi kondensato nuvedimo sistema su sifonu ir pakankamu nuolydžiu, kad galėtų visą laiką netrukdomai veikti ir nebūtų veikiami šalčio, siekiant užtikrinti nuolatinį tinkamą kondensato nutekėjimą.



Įsitikinkite, kad kondensato nuvedimo nuolydis nėra lygiagretus įrenginiui arba nukreiptas atgal į jį.

Jei pasirinktas EVO 3 ERV arba EVO 3 ERV PR įrenginys, kondensato nuvedimas nėra būtinas.

Montavimo vietoje turi būti palikta pakankamai vietos įprastiniam techniniam aptarnavimui (filto keitimui) ir neeiliniam aptarnavimui (įrenginio atidarymui, šilumokaičio ir ventiliatorių ištraukimui bei valymui ir kt.).

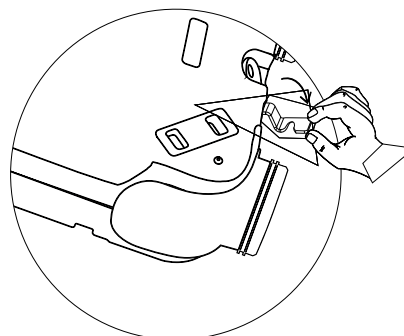
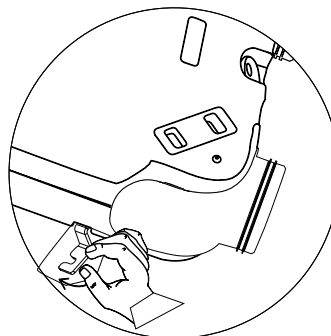


Įrenginys skirtas montuoti ant sienos arba lubų. Jo negalima montuoti ant grindų.

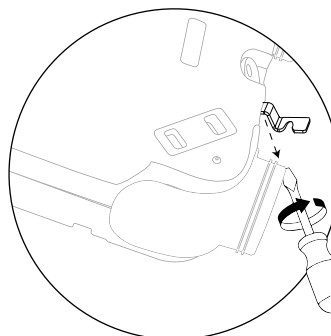
5.4. Montavimas ant lubų

1. Įrenginys tiekiamas su tvirtinimo laikikliais, kurie yra atskirame plastikiniame maišelyje įrenginio pakuotės viduje.

- Tvirtinimo laikiklius pastatykite ilgojoje arba trumpojoje pusėje, atsižvelgdami į montavimo reikalavimus.

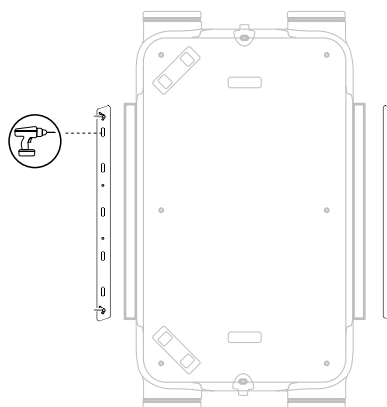


- Prisukite laikiklius naujoje padėtyje.



2. Paviršiuje išgręžkite ovalo formos pažymėtas skylės ir įsukite montavimo laikiklius.

- Išilgoji pusė:



EN

DE

IT

FR

NL

ET

LT

LV

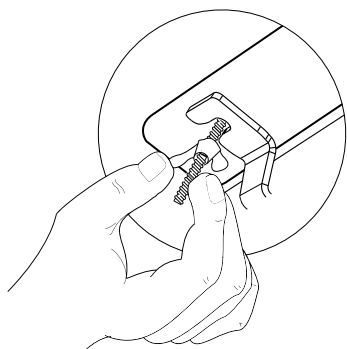
- Trumpoji pusė:



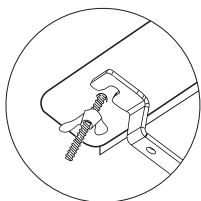
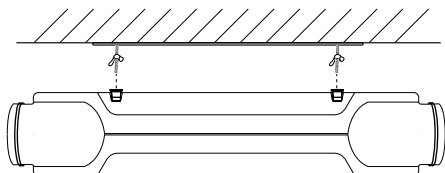
SVARBU!

Laikikliai turi būti 630 mm atstumu vienas nuo kito ilgose pusėse (standartinė versija) ir 1195 mm atstumu vienas nuo kito trumpose pusėse.

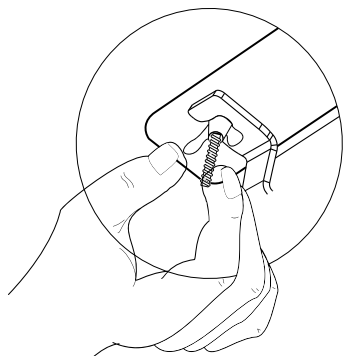
3. Atsukite veržles, kol jos bus tik 1 cm išilgai sriegio.



4. Uždėkite įrenginį ant bėgelio viršaus ir stumkite jį išilgai, kol jis užsifiksuos ant srieginės juostos.



5. Priveržkite veržles, kad įrenginys būtų pritvirtintas prie laikiklio.



5.5. Montavimas ant sienos

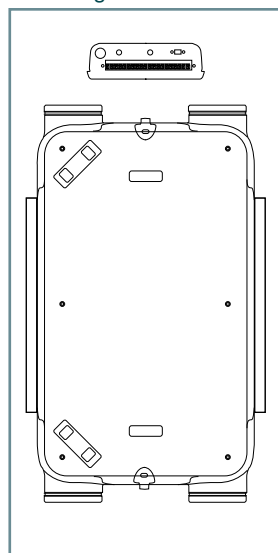


Įrenginys turi būti sumontuotas vertikaliai ir sulygiuotas vertikaliajoje plokštumoje, kad būtų užtikrintas efektyvus kondensato nuvedimas.

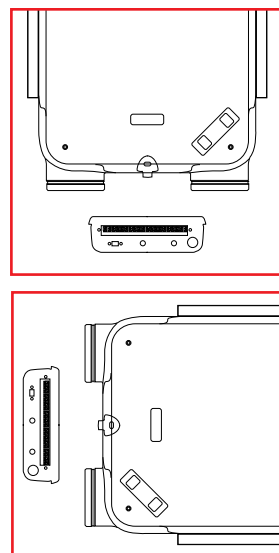


Montuokite TIK taip, kad įrenginio valdymo plokštės jungtis būtų nukreipta į viršų. Įrenginio negalima montuoti aukštyn kojomis, kai jungtis nukreipta žemyn.

Teisingas montavimas

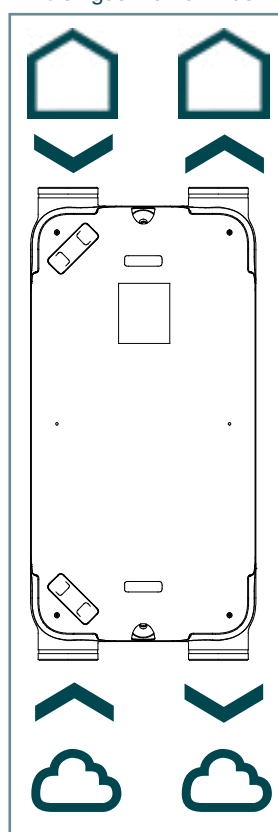


NETEISINGAS montavimas

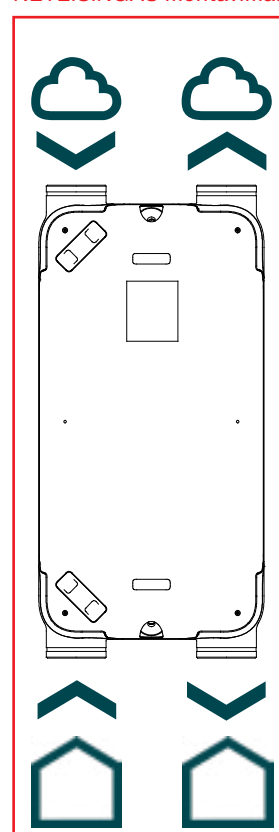


Įrenginį su standartiniu šilumokaičiu (HRV) montuokite TIK "kairinę versiją", kai lauko oro įleidimo ir užsistovėjusio oro išleidimo jungties taškas nukreiptas žemyn.

Teisingas montavimas



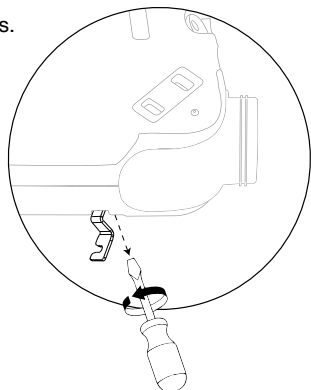
NETEISINGAS montavimas



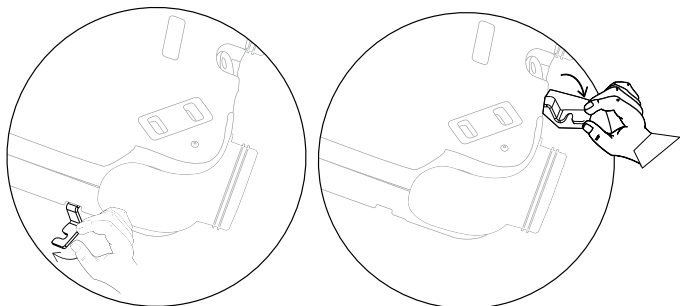
- EN
- DE
- IT
- FR
- NL
- ET
- LT**
- LV

1. Įrenginys pristatomas su tvirtinimo laikikliais, iš anksto sumontuotais išilgai įrenginio. Norėdami perkelti juos į trumpesnę pusę, elkitės taip.

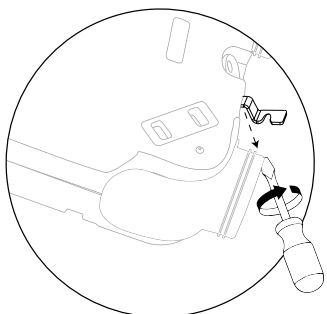
- Atsukite laikiklius.



- Perstumkite laikiklius į trumpąją pusę, laikydami juos toje pačioje pozicijoje.

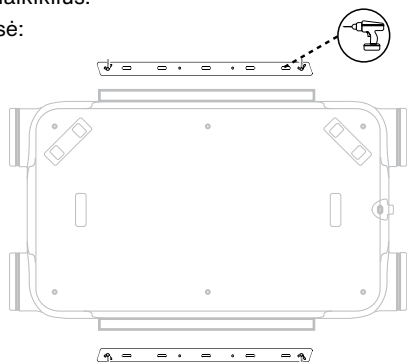


- Prisukite laikiklius naujoje padėtyje.

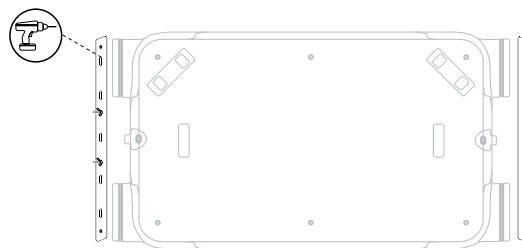


2. Paviršiuje išgręžkite ovalo formos pažymėtas skylės ir įsukite montavimo laikiklius.

- Išilgoji pusė:



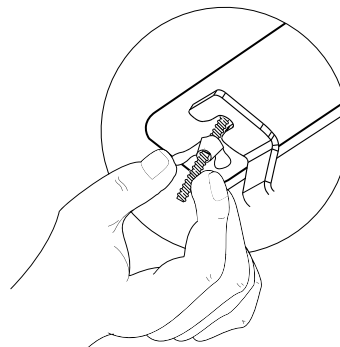
- Trumpoji pusė:



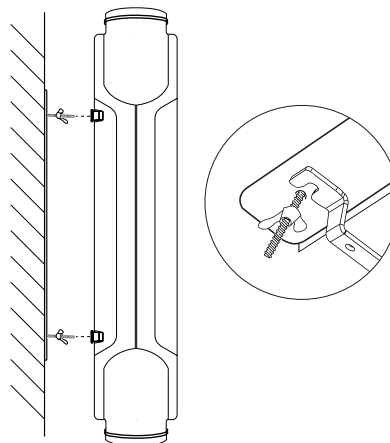
SVARBU!

Laikikliai turi būti 630 mm atstumu vienas nuo kito ilgose pusėse (standartinė versija) ir 1195 mm atstumu vienas nuo kito trumpose pusėse.

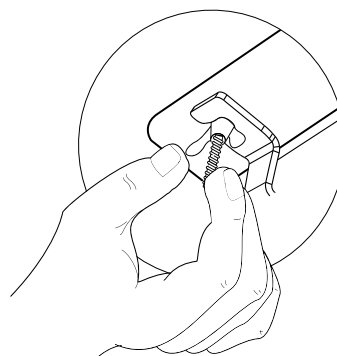
3. Atsukite veržles, kol jos bus tik 1 cm išilgai sriegio.



4. Uždėkite įrenginį ant bėgelio viršaus ir stumkite jį išilgai, kol jis užsifiksuoja ant srieginės juostos.



5. Priveržkite veržles, kad įrenginys būtų pritvirtintas prie laikiklio.



EN

DE

IT

FR

NL

ET

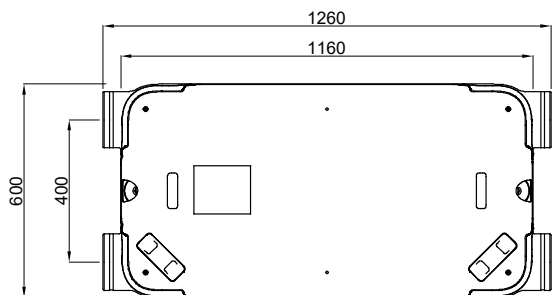
LT

LV

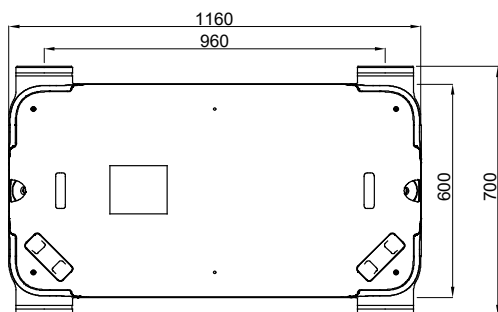
5.6. Jungčių išdėstymas

Paskirstymo jungčių jungiamųjų detalių pasukimo procedūra parodyta žemiau.

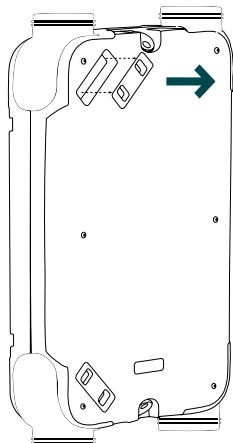
- Numatytoji konfigūracija:



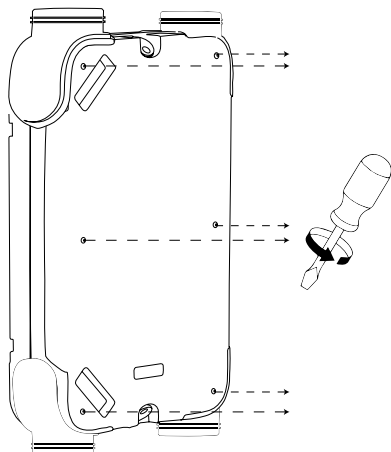
- Konfigūracija, kai jungtis pasuktos 90° kampu:



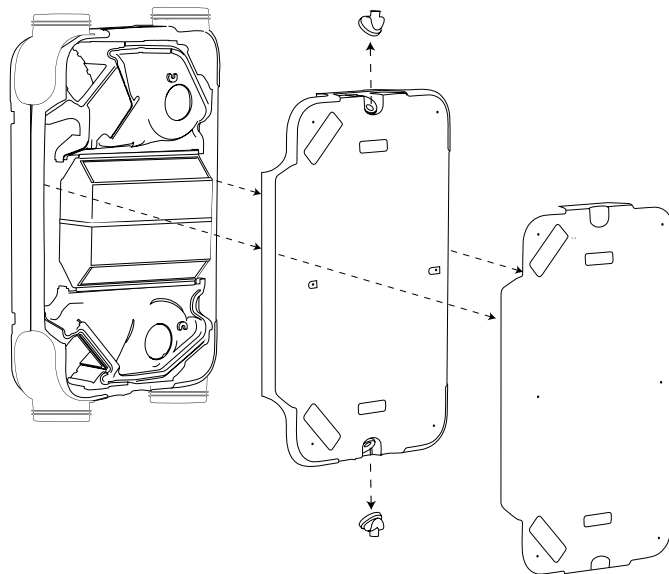
1. Nuimkite filtro dangtelius



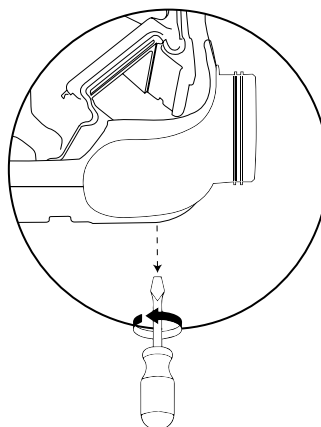
2. Atsukite išorinius dangtelio varžtus



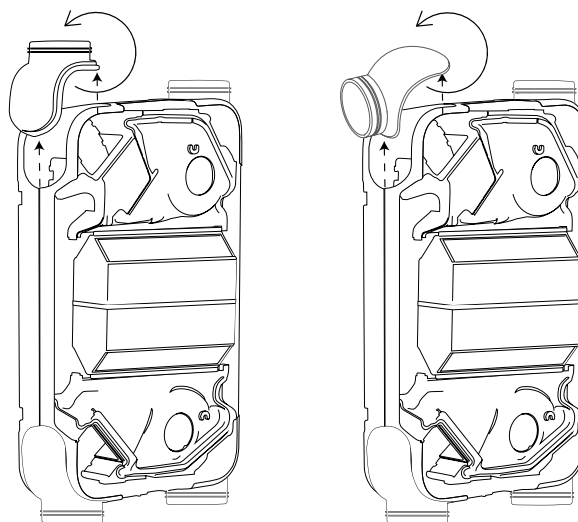
3. Nuimkite išorinį metalinį dangtelį ir viršutinį polipropileno dangtelį, taip atidengdami įrenginio vidų



4. Atsukite EPP jungčių tvirtinimo varžtus



5. Pakelkite ir pasukite jungtis, apskukite jas ir įstatykite atgal į vietą



EN

DE

IT

FR

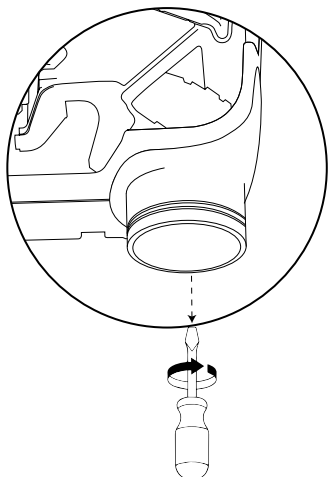
NL

ET

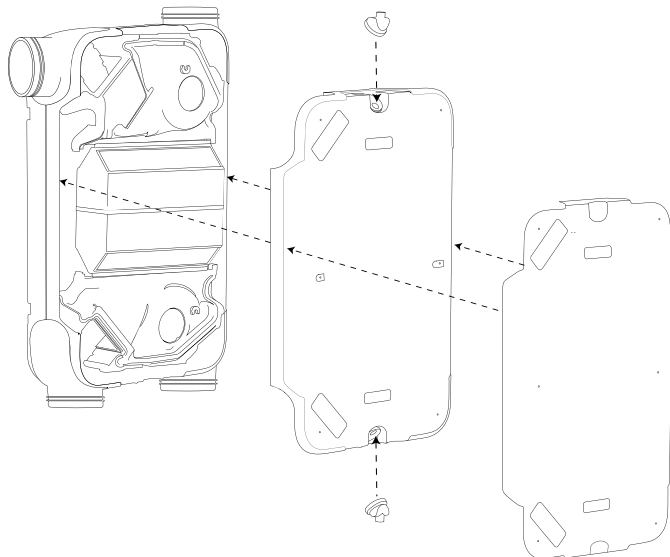
LT

LV

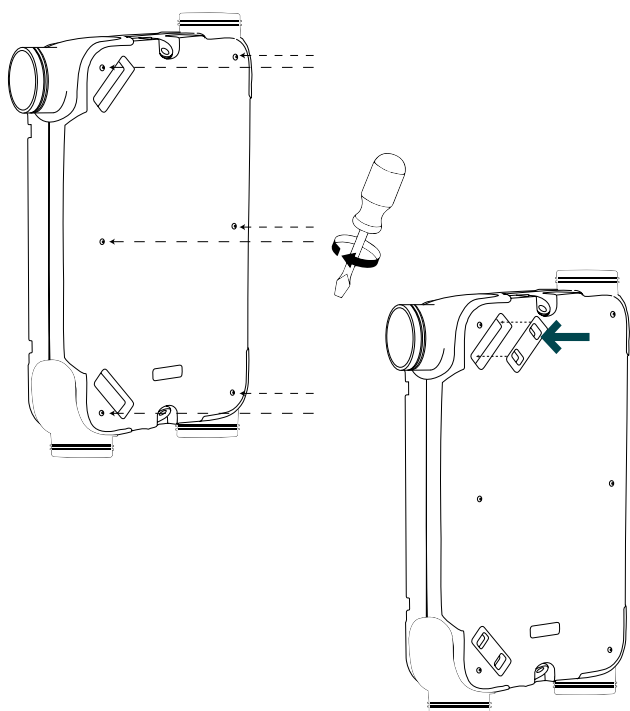
6. Vėl priveržkite jungčių varžtus



7. Uždėkite polipropileno viršutinį dangtelį ir metalinį dangtelį



8. Užveržkite varžtus ir pakeiskite filtro dangtelius



5.7. Kondensato nuleidimo sistemos prijungimas

Zehnder EVO 3 HRV ir Zehnder EVO 3 HRV PR įrenginiuose turi būti įrengta kondensato nuvedimo sistema.

Tai nėra privaloma EVO 3 ERV ir EVO 3 ERV PR įrenginiams.

Prie įrenginio kondensato nuleidimo jungties prisukite sifoną su 1/2 colio išoriniu sriegiu (į standartinę pakuotę neįeina, jį reikia užsisakyti atskirai).

Norėdami atlikti tinkamą techninį aptarnavimą, sumontuokite sifoną taip, kad jį būtų galima lengvai išimti ir patikrinti.

Įrenginio kondensato nuvedimo jungtis gali būti nukreipta horizontaliai arba žemyn.

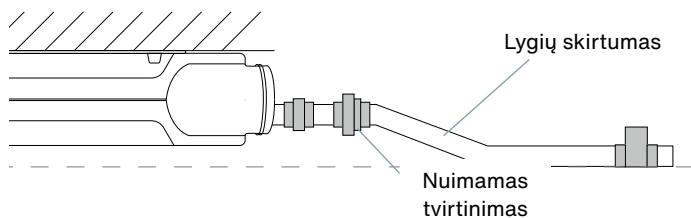


Įsitikinkite, kad kondensato nuvedimo nuolydis nėra lygiagretus įrenginiui arba nukreiptas atgal į jį.

Svarbu!

EVO HRV ir EVO HRV PR įrenginiuose prijungtas tik vienas kondensato nuvedimas; kitas turi būti užkimštas. EVO ERV ir EVO ERV PR įrenginiuose abu kondensato nuvedimai turi būti užsukti. Kištukai pridėti standartiškai.

Toliau pateikiamos horizontaliai sumontuoto EVO įrenginio kondensato nuvedimo įrengimo instrukcijos:



Jei įrenginys sumontuotas horizontaliai ant lubų, kondensato nuvedimas turi būti žemiau paties įrenginio lygio.

Įspėjimas!

Garantija galioja, jei sumontuotas originalus "Zehnder" sausas sifonas ir tinkamai įrengta kondensato nuvedimo sistema. Priešingu atveju, Zehnder neprisiima jokios atsakomybės įrenginio sugadinimo atveju.

EN

DE

IT

FR

NL

ET

LT

LV

6. Elektros jungtys

Prijungimas prie maitinimo tinklo turi būti atliktas pagal norminius standartus. Ventilatoriai ir elektros plokštė veikia esant 230 V maitinimo įtampai.

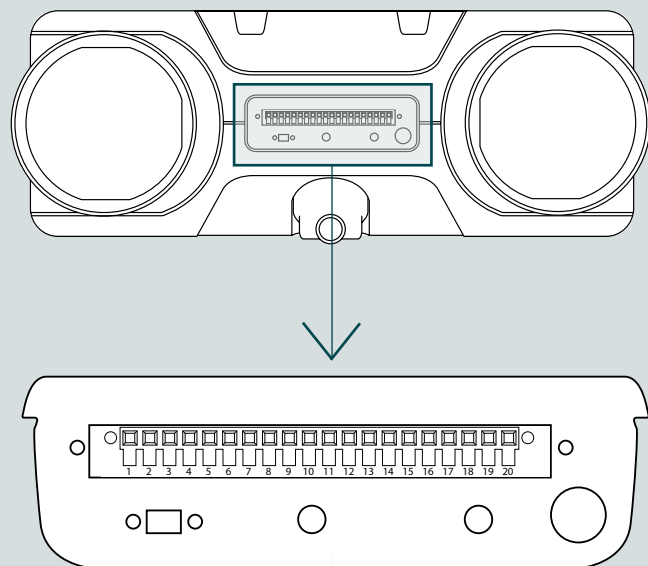


Atliekant bet kokius įrenginio montavimo ar techninio aptarnavimo darbus, maitinimo šaltinis turi būti atjungtas.

Laidų spalvinis kodavimas

Ruda	Tiesioginė įtampa
Mėlyna	Neutralus
Žalia/geltona	Žemė

Integruota valdymo plokštė



Integruota valdymo plokštė

Jungčių aprašymas

Jungtis.	Aprašymas	Plokštė
PIN 1	Namų automatikos sistema - 10 V	X-26
PIN 2	Namų automatikos sistema - 0 V	X-26
PIN 3	Namų automatika – sausas kontaktas	X-25
PIN 4	Namų automatika – sausas kontaktas	X-25
PIN 5	Nenaudojamas	-
PIN 6	Nenaudojamas	-
PIN 7	Teno 10 V išvestis (*)	X-16
PIN 8	Teno 0 V išvestis (*)	X-16
PIN 9	“Kairinė versija” NO/NC (*)	X-32
PIN 10	“Kairinė versija” NO/NC (*)	X-32
PIN 11	Nenaudojamas	-
PIN 12	Pasirinkimo jungiklis V1 bendras	X-510
PIN 13	Parinkimo jungiklis V2	X-510
PIN 14	Parinkimo jungiklis V3	X-510
PIN 15	Teno 230 V išvestis (**)	X-17
PIN 16	Teno įžeminimo išvestis (**)	X-17
PIN 17	Teno neutrali išvestis (**)	X-17
PIN 18	Nenaudojamas	X-28
PIN 19	Nenaudojamas	X-28
PIN 20	Nenaudojamas	X-28

(*) Kaištis nenaudojamas modeliuose Zehnder EVO 3 HRV PR ir Zehnder EVO 3 ERV PR

(**) Modeliuose su standartiniu tenu šie kaiščiai naudojami papildomam, o ne pirminiam šildymui (pasirinktinai).

EN

DE

IT

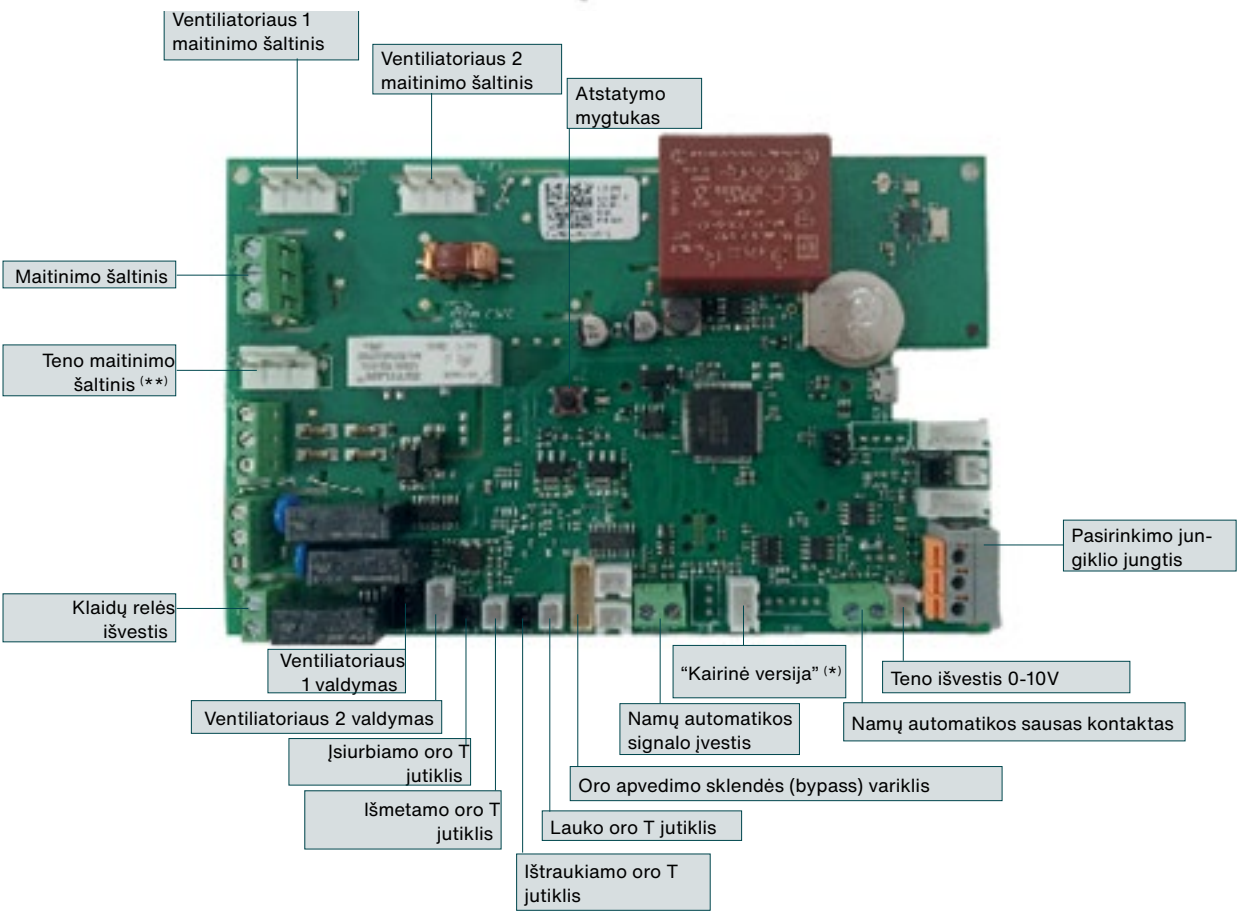
FR

NL

ET

LT

LV



(*) Nenaudojami modeliuose Zehnder EVO 3 HRV PR ir EVO 3 ERV PR.

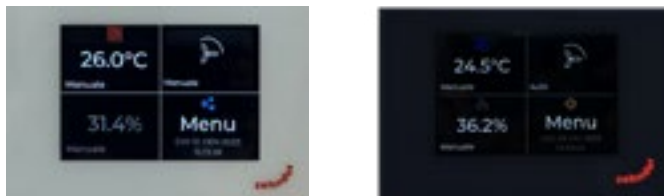
(**) Naudojama papildomam tenui modeliuose Zehnder EVO 3 HRV PR ir EVO 3 ERV PR.

- EN
- DE
- IT
- FR
- NL
- ET
- LT**
- LV

7. Valdikliai ir jungtys

Zehnder EVO serijos įrenginiai gali būti prižiūrimi ir valdomi įvairiais būdais. Toliau pateikiamas galimų priedų sąrašas.

7.1. Zehnder Multi Control



"Zehnder EVO" įrenginius galima valdyti naudojant "Zehnder Multi Control", todėl jie gali būti lengvai derinami su "Zehnder ComfoDew" arba "Zehnder ComfoPost" papildomo valymo sistemomis.

Vėdinimo įrenginyje numatytas minimalus ventiliatoriaus greitis. Per jame esančias reles "Multi Control" įjungia antrąjį ir trečiąjį ventiliatoriaus greičius, kai to prašo naudotojas arba kai tai yra reikalinga valymui.

Su Multi Control naudotojai gali pasirinkti rankinį arba automatinį veiklos režimą, rašyti savaitines laiko programas ir matyti filtro keitimo įspėjamąjį signalą.



Jei prie "Multi Control" prijungtas kitas valdiklis, pavyzdžiui, "Zehnder EVO Sense", kuris prižiūri ir valdo įrenginį, kitas valdiklis visada turi būti paliktas rankiniu režimu ir 1 ventiliatoriaus greičiu. Priešingu atveju "Multi Control" veiks netinkamai.



Prie "Zehnder Multi Control" galima prijungti programėlę "Zehnder Multi Controller", kuria galima prižiūrėti ir valdyti vėdinimo įrenginį, šilumos zonas ir šildymo sistemą.

7.2. Belaidis Zehnder EVO Sense



Belaidis išmanusis valdymo įrenginys "EVO Sense" radijo dažniu (RF) palaiko ryšį su vėdinimo įrenginiu ir leidžia pasirinkti penkis skirtingus srauto intensyvumo lygius. Taip pat naudotojams suteikiama galimybė rašyti dienos ir savaitės laiko programas bei nustatyti automatinį darbo režimą.

Tai išmanioji naudotojo ir montavimo sąsaja, skirta prijungtam vėdinimo įrenginiui prižiūrėti ir konfigūruoti.

7.3. Zehnder EVO Switch RF



EVO Switch 4 nustatymų belaidis mygtukinis valdymo įrenginys su vėdinimo įrenginiu susietas per radijo dažnį (RF), su galimybe pasirinkti keturis skirtingus veikimo režimus. Jame yra filtro keitimo įspėjamojo signalo indikatorius.

7.4. RF CO₂ jutiklis



Belaidis CO₂ jutiklis stebi anglies dioksido lygį patalpoje, kurioje jis yra, ir radijo dažniu (RF) siunčia rodmenis į "Zehnder EVO" įrenginį. Įrenginys atitinkamai keičia srauto intensyvumo greitį, pagal jutiklio siunčiamus duomenis parinkdamas tinkamą lygį, kad būtų užtikrinta patalpų oro kokybė.

7.5. RF drėgmės jutiklis



Belaidis jutiklis stebi santykinę oro drėgmę patalpoje, kurioje jis yra, ir radijo dažniu (RF) siunčia rodmenis į "Zehnder EVO" įrenginį. Įrenginys pagal jutiklio siunčiamus duomenis atitinkamai keičia vėdinimo srauto intensyvumo greitį, pasirinkdamas tinkamą lygį, kad būtų užtikrinta patalpų oro kokybė.

EN

DE

IT

FR

NL

ET

LT

LV

7.6. Išmanusis ryšys

Galite paversti savo namus išmaniaisiais namais naudodami įvairius sąsajos metodus:

- EVO Connect ModBus;
- EVO Connect ModBus-KNX.

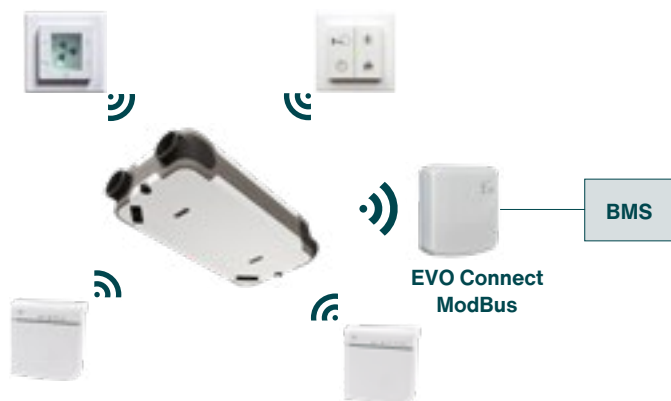
7.6.1. EVO Connect ModBus

„EVO Connect ModBus“ įrenginys yra prijungtas prie pastato valdymo sistemos (BMS) ir per ModBus kalbą naudojamas duomenims, susijusiems su EVO vėdinimo įrenginiu ir bet kokiais prijungtais suderinamais jutkliais (santykinė drėgmė/CO₂) ir belaidžiais valdymo įrenginiais (EVO Sense/EVO Switch), nuskaityti ir įvesti.

Su EVO įrenginiu jis susiejamas radijo dažniais.



Norint, kad "EVO Connect ModBus - KNX" veiktų tinkamai, reikia 24 V kintamosios / nuolatinės srovės maitinimo šaltinio.



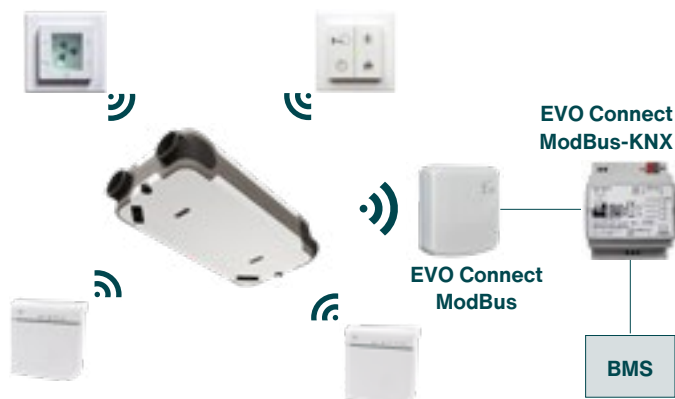
7.6.2. EVO Connect ModBus - KNX

Įrenginys "EVO Connect ModBus - KNX" yra ModBus/KNX keitiklis, skirtas prijungti prie "EVO Connect ModBus" šliuzo, kad būtų galima išversti šliuzo surinktus duomenis ir juos laidu nusiųsti į BMS.

Jis renka duomenis iš EVO įrenginių ir visų prijungtų suderinamų jutklių (santykinės drėgmės/CO₂) bei belaidžių valdymo įrenginių (EVO Sense / EVO Switch).



Norint, kad "EVO Connect ModBus - KNX" veiktų tinkamai, reikia 24 V kintamosios / nuolatinės srovės maitinimo šaltinio.



EN

DE

IT

FR

NL

ET

LT

LV

8. Paleidimas

Sumontavus vėdinimo įrenginį galima pradėti eksploatuoti. Atlikite toliau nurodytus veiksmus.

- Prieš pradėdami, perskaitykite paleidimo instrukcijas.
- Uždarykite visus langus bei lauko ir vidaus duris.
- Patikrinkite, ar visi vožtuvai sumontuoti tinkamai, ir atidarykite juos kiek įmanoma.
- Įsitinkinkite, kad visi vėdinimo įrenginio ir vožtuvo filtrai būtų kaip nauji. Užsikimšę filtrai gali iškraipyti paleidimo rezultatus.
- Nustatykite vėdinimo įrenginio 3 ventiliatoriaus greitį. Automatinis režimas turi būti išjungtas.
- Įsitinkinkite, kad tarpai po durimis arba tranzitinėmis grotelėmis būtų neuždengti ir laisvai pralaidūs orui. Tokios būklės jie turi išlikti per visą tolesnį vėdinimo įrenginio eksploatavimą.
- Pradėkite reguliuoti vožtuvus, pradedant nuo vožtuvo, kuris gauna mažiausią oro srautą (paprastai tai labiausiai nuo vėdinimo įrenginio nutolęs vožtuvas). Kalibruotu matavimo prietaisu nustatykite reikiamą nominalųjį oro srautą kiekviename vožtuve.
- Norėdami sumažinti energijos sąnaudas, įsitinkinkite, kad vienas šviežio oro tiekimo vožtuvas ir vienas nešvaraus oro ištraukimo vožtuvas būtų atidaryti iki galo.
- Tūrinio srauto reguliavimą kartokite tol, kol visi vožtuvai nustatys reikiamą srauto intensyvumą.
- Jei neįmanoma subalansuoti oro srauto su nustatytais greičiais, ventiliatoriaus sukčius galima reguliuoti pagal reikiamą srauto intensyvumą.

9. Veikimas

Pristatomas įrenginys yra paruoštas prijungti prie maitinimo šaltinio, o jo veikimas yra visiškai automatinis. Iš patalpų ištraukiamas nešvarus oras perduoda šilumos energiją šviežiam orui iš lauko. Šviežias, švarus oras į namo vidų yra tiekiamas iš anksto sureguliuotos temperatūros: vėsus vasaros metu ir šiltas - žiemos metu, todėl energijos sąnaudos yra ženkliai mažesnės. Priklausomai nuo naudojamos valdymo sistemos tipo, gali būti iki penkių vėdinimo srauto intensyvumo lygių. Įrenginys reguliuojamas pastoviu srautu, t. y. oro tiekimo ir ištraukimo srautai pasiekiami nepriklausomai nuo slėgio kritimo ortakiuose.

9.1. Oro apvedimo sklendės (bypass) veikimas

Standartiškai pridedama oro apvedimo sklendė (bypass) leidžia tiekti lauko orą tiesiogiai, praleidžiant jį per filtrą, bet ne per šilumokaitį, kad tam tikru metu, pavyzdžiui, vasarą naktį, kai pageidautina įleisti šviežio oro ir nemokamai sumažinti temperatūrą namuose ("nemokamas vėsinimas"), būtų galima pasinaudoti palankia lauko oro temperatūra. Oro apvedimo sklendė suveikia automatiškai, esant tam tikroms, toliau lentelėje nurodytoms, sąlygoms.

Oro apvedimo sklendės (bypass) veikimas	
Atidaryta oro apvedimo sklendė (bypass)	<ul style="list-style-type: none"> ▪ Lauko temperatūra yra aukštesnė nei 10 °C. ▪ Vasaros metu, lauko temperatūra yra 3 °C žemesnė už iš namų ištraukiamo oro temperatūrą ir žemesnė už komforto temperatūrą. ▪ Žiemos metu lauko temperatūra yra 3 °C aukštesnė už iš namų ištraukiamo oro temperatūrą ir aukštesnė už komforto temperatūrą.
Oro apvedimo sklendė (bypass) uždaryta	<ul style="list-style-type: none"> ▪ Lauko temperatūra yra žemesnė nei 10 °C. ▪ Vasaros metu lauko temperatūra yra aukštesnė už iš namų ištraukiamo oro temperatūrą ir aukštesnė už komforto temperatūrą. ▪ Žiemos metu lauko temperatūra yra žemesnė už iš namų ištraukiamo oro temperatūrą ir žemesnė už komforto temperatūrą.
ĮSPĖJIMAS!	
"Zehnder EVO" įrenginys automatiškai nustato esamą sezoną.	

9.2. Apsaugos nuo užšalimo įrenginys

Kad ant šilumokaičio nesusidarytų ledas, kai lauko temperatūra labai žema, "Zehnder EVO" turi įrengtą apsaugos nuo užšalimo prietaisą.

Jutikliai matuoja temperatūrą šilumokaityje ir, esant reikalui, ventiliatoriai sukuria palaiapsniui didėjančią srautų disbalansą. Kai temperatūra pasiekia -2°C Zehnder EVO 3 HRV ir Zehnder EVO 3 ERV modeliuose be teno arba -16°C Zehnder EVO 3 HRV PR ir Zehnder EVO 3 ERV PR modeliuose su tenu, įrenginys išsijungia, kad nepažeistų šilumokaičio, ir kartą per valandą patikrina, ar temperatūra vėl pasiekė saugų darbinį lygį.

EN

DE

IT

FR

NL

ET

LT

LV

10. Techninio aptarnavimo procedūra



Reguliariai atlikite visas šiame skyriuje išvardytas prevencines techninio aptarnavimo procedūras. Jei prevencinės techninio aptarnavimo procedūros nebus atliekamos reguliariai, vėdinimo sistemos funkcionavimas suprastės.



Prieš pradėdant techninį aptarnavimą, paleiskite vėdinimo įrenginį 3 ventilatoriaus greičiu bent dvi minutes, kad iš šilumokaicio pasišalintų kondensatas.



Jei reikia pakeisti komponentą, užsisakykite iš Zehnder originalią atsarginę dalį ir visus darbus paveskite atlikti Zehnder įgaliotam techninio aptarnavimo centrui.



Visas techninis aptarnavimas, išskyrus filtro keitimą, turi būti atliekamas specialistų.



Prieš pradėdami techninio aptarnavimo darbus, visada atjunkite vėdinimo įrenginį nuo elektros tinklo, jei nurodyta kitaip. Jei įrenginys naudojamas atidarytas, kyla reali susižalojimo rizika. Įsitikinkite, kad įrenginys netyčia neįsijungtų.



Imkitės reikiamų atsargumo priemonių, kad, dirbant su elektronika, išvengtumėte elektrostatinių iškrovų, nes tai gali sugadinti įrenginius nepataisomai.

10.1. Oro filtro techninis aptarnavimas

Šią techninio aptarnavimo procedūrą gali atlikti pats naudotojas.

Filtrai turėtų būti tikrinami kas tris mėnesius. Jeigu juose yra stambių nešvarumų (vabzdžių, smulkių augalų dalių ir pan.), juos galima išvalyti vakuuminio siurbliu ir įdėti atgal į įrenginį.

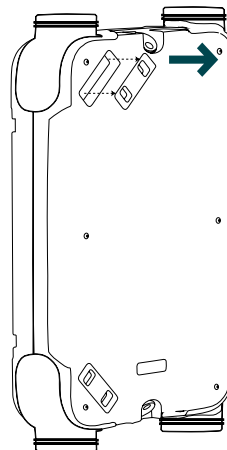
Filtrai turi būti keičiami ne rečiau kaip kas šešis mėnesius. Atsarginius filtrus įsigykite iš anksto ir pasirūpinkite, kad tai būtų originalūs "Zehnder" filtrai.

ĮSPĖJIMAS!

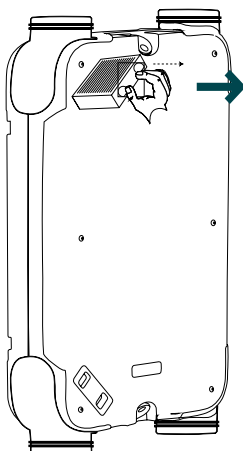
Draudžiama "Zehnder EVO" įrenginį eksploatuoti be filtrų.

1. Jei naudojamas EVO Sense nuotolinio valdymo pultas, paleiskite jame filtro keitimo procedūrą. Priešingu atveju išjunkite įrenginį. Jei įrenginys prijungtas prie "EVO Switch" arba "Multi Control" įrenginio, nepamirškite iš naujo nustatyti filtro keitimo įspėjamojo pranešimo, kai procedūra bus baigta.

2. Nuimkite dangtelius nuo filtro skyriaus.



3. Atsargiai išimkite užterštus filtrus naudodami tam skirtus specialius skirtukus. Jei abu filtrai nėra vienodi, įsidėmėkite jų padėtis: ISO ePM1 filtras montuojamas lauko oro įleidimo angoje, o ISO Coarse filtras - patalpos oro ištraukimo angoje.



EN

DE

IT

FR

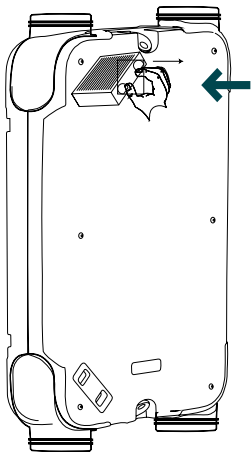
NL

ET

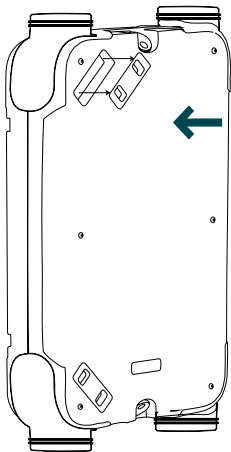
LT

LV


4. Vėl įstatykite filtras į jų skyrius, išdėstydami juos taip, kaip nurodyta 3 punkte.



5. Uždėkite dangtelius atgal ant filtrų skyrelių.



6. Baikite filtro keitimo procedūrą arba iš naujo įjunkite įrenginį.

 **Keisdami įrenginio filtras taip pat išvalykite filtras ant vidinių grotelių arba vožtuvų ir išorinių oro išleidimo grotelių.**

 **Užterštą filtrą išmeskite kaip netinkamas perdirbti atliekas.**

10.2. Vėdinimo įrenginio valymas

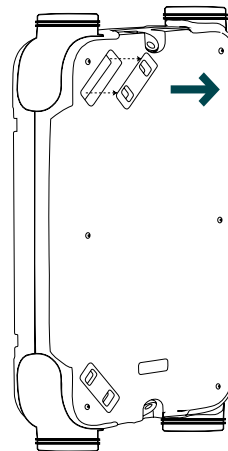
Visi EVO bloko vidiniai komponentai (šilumokaitis, ventiliatoriai ir kt.) turi būti tikrinami ir valomi kas dvejus metus.

ĮSPĖJIMAS!

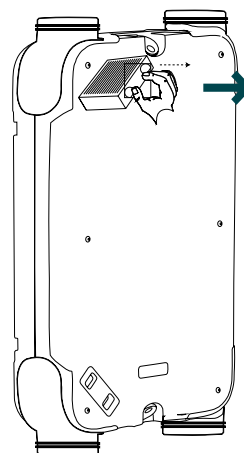
Šiuos techninio aptarnavimo darbus gali atlikti tik Zehnder įgaliotas ir kvalifikuotas specialistas. Kreipkitės į artimiausią techninio aptarnavimo centrą

1. Atjunkite įrenginį nuo elektros tinklo.

2. Nuimkite dangtelius nuo filtro skyriaus.



3. Atsargiai išimkite filtras naudodami tam skirtus specialius skirtukus. Jei abu filtras nėra vienodi, atkreipkite dėmesį į jų padėtį: ISO ePM1 filtras montuojamas lauko oro įleidimo angoje, o ISO Coarse filtras - vidaus oro ištraukimo angoje.



EN

DE

IT

FR

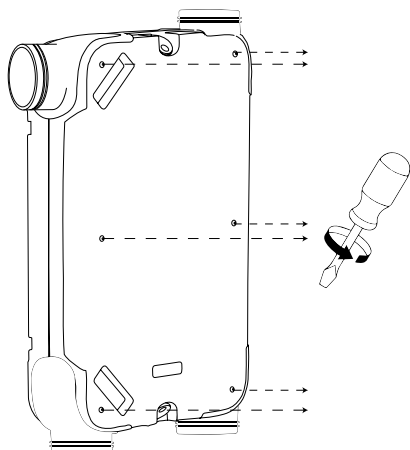
NL

ET

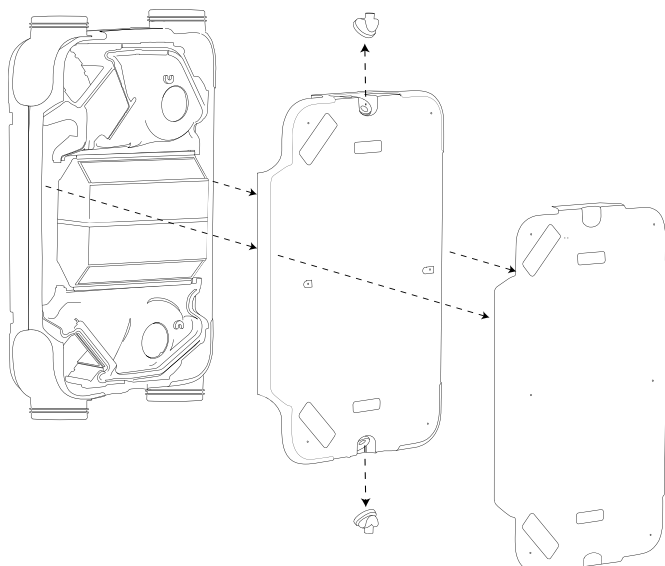
LT

LV

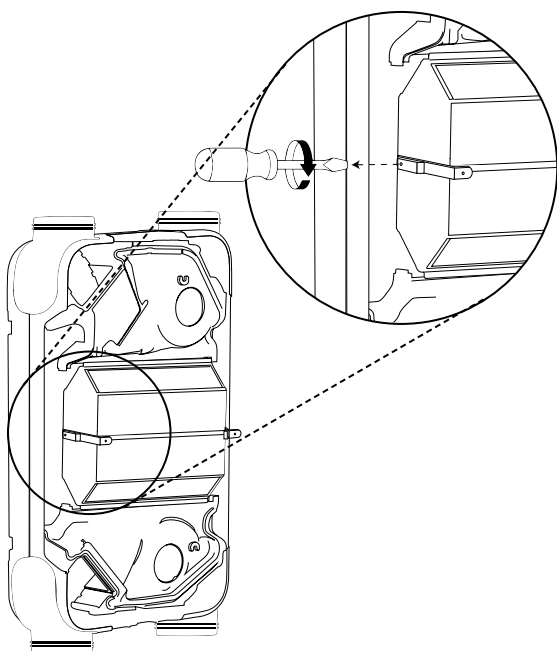
4. Atsukite išorinio metalinio dangtelio varžtus



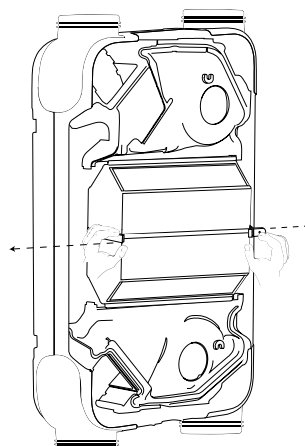
5. Nuimkite metalinį ir polipropileno dangčius, atidėkite šilumokaitį, ventiliatorius ir oro apvedimo sklendę.



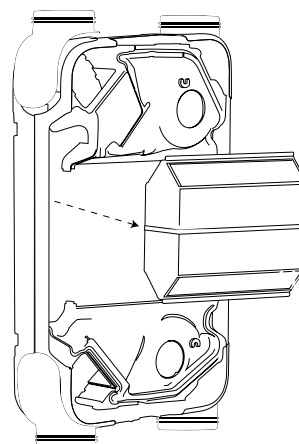
6. Atlaisvinkite ir nuimkite kairės pusės montavimo laikiklį



7. Atskirkite laikiklius, laikančius šilumokaitį, kad jį būtų galima nuimti

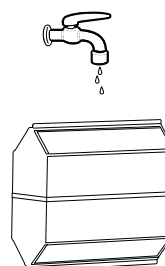


8. Nuimkite šilumokaitį



Šilumokaitį nuimkite itin atsargiai.
Šilumokaičio viduje gali būti šiek tiek kondensato.

9. Išvalykite šilumokaitį po tekančiu vandeniu



10. Patikrinkite, ar matomas įrenginio vidus yra švarus: šilumokaičio skyrius, oro apvedimo sklendė, polipropileno dalys. Jei reikia, nuvalykite minkšta šluoste.

11. Ventiliatorius valykite dulkių siurbliu su šepečiu ir patikrinkite, ar jie nepažeisti. Pastebėjus pažeidimų, juos pakeiskite.

EN

DE

IT

FR

NL

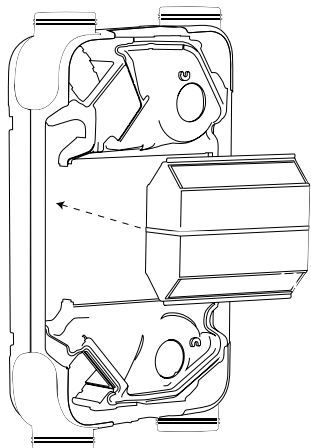
ET

LT

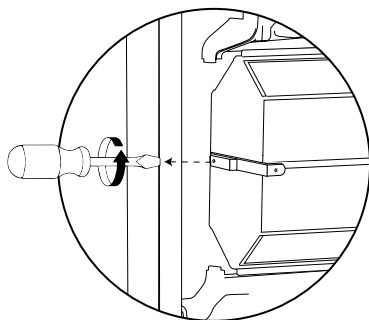
LV

12. Baigę valymo procedūras, surinkite įrenginį iš naujo.

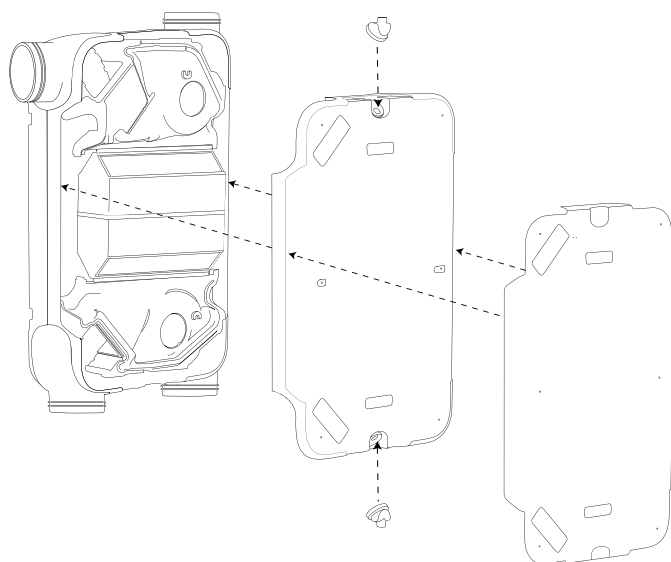
13. Gražinkite šilumokaitį atgal į jo skyrių



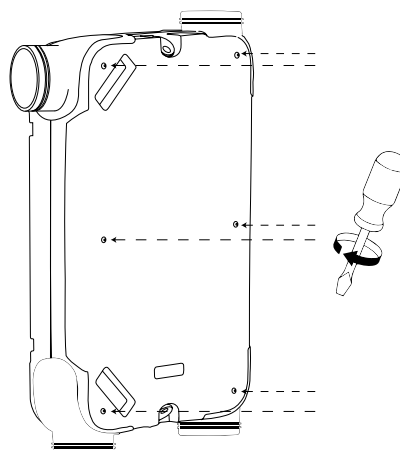
14. Uždėkite laikiklį kairėje ir vėl priveržkite varžtą



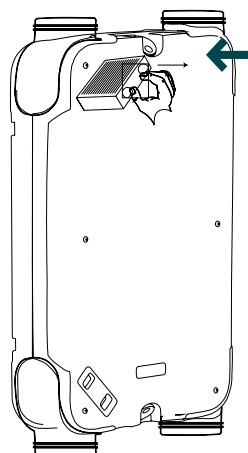
15. Pakeiskite polipropilėninius ir metalinius dangčius.



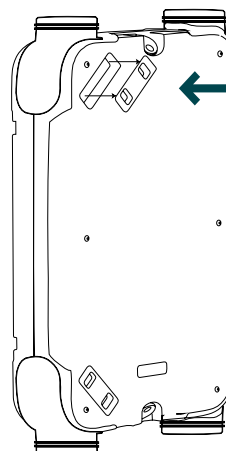
16. Užveržkite metalinio dangtelio varžtus.



17. Vėl įstatykite filtrus į jų skyrius, išdėstydami juos taip, kaip nurodyta 3 punkte



18. Vėl uždėkite filtrų dangtelius



Įsitinkite, kad polipropilėno viršutinis dangtis yra idealiai sulygiuotas su apačia, o šonuose nėra tarpų. Kitu atveju patikrinkite, ar laidai tinkamai įstatyti į jiems skirtus griovelius.

EN

DE

IT

FR

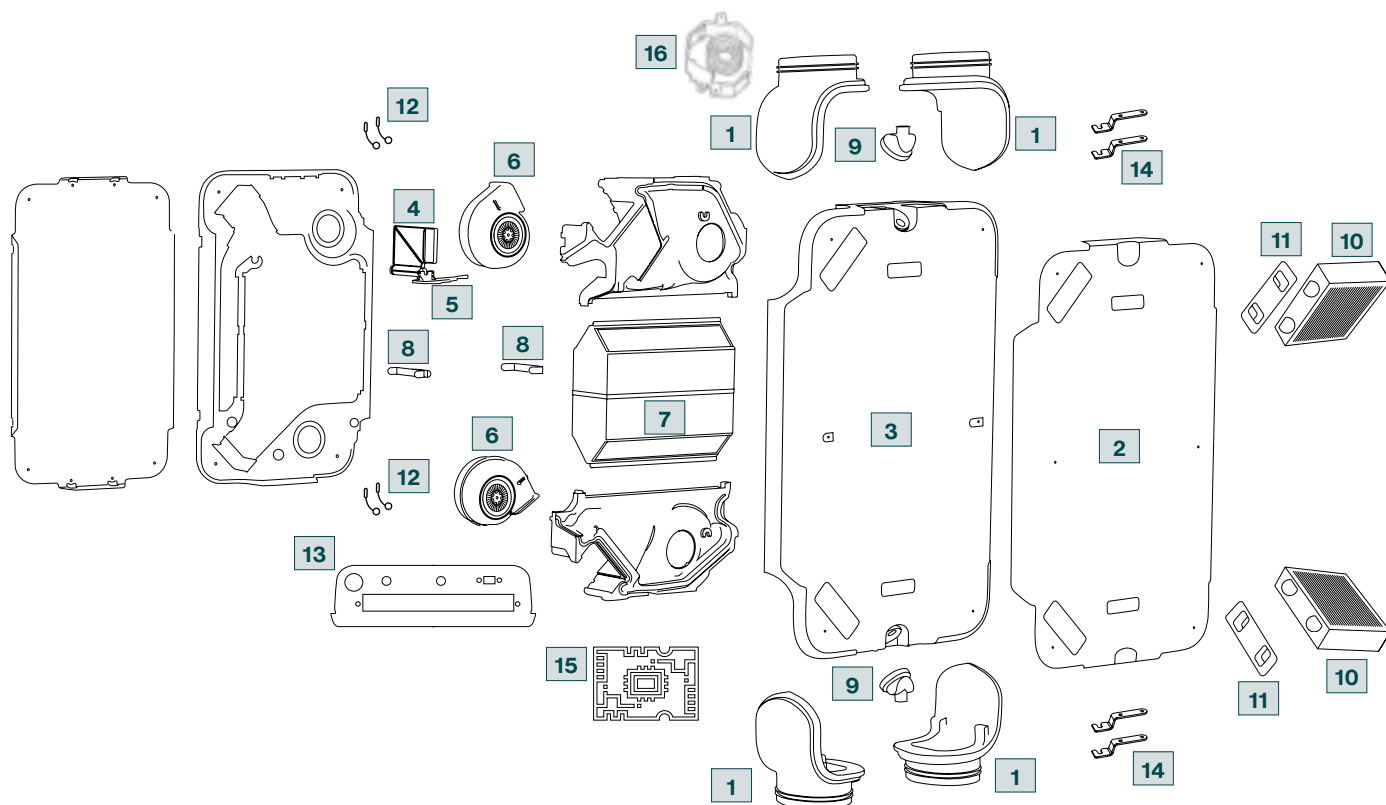
NL

ET

LT

LV

11. Įrenginio apžvalga ir komponentų aprašymas



Nr.	Komponento aprašymas	nr. vienetų skaičius
1	Pasukamos jungiamosios detalės	4 vnt
2	Priekinis dangtelis	1 vnt
3	Polipropileno dangtis ventiliatoriams, šilumokaičiui, elektronikai	1 vnt
4	Oro apvedimo sklendės (bypass) vožtuvas	1 vnt
5	Oro apvedimo sklendės (bypass) vožtuvo variklis	1 vnt
6	Didelio efektyvumo ventiliatoriai	2 vnt
7	Didelio efektyvumo energijos atgavimo šilumokaitis	1 vnt
8	Šilumokaičio montavimo laikikliai	2 vnt
9	Pasukamas kondensato nuvedimas	2 vnt
10	Didelio našumo filtrai	2 vnt
11	Filtro dangtis	2 vnt
12	Temperatūros jutiklis	4 vnt
13	Prijungimo plokštė	1 vnt
14	Garso slopintuvas	4 vnt
15	Elektroninė plokštė	1 vnt
16	Tenas (*)	1 vnt

(*) Yra tik Zehnder EVO 3 HRV PR ir Zehnder EVO 3 ERV PR modeliuose.

EN

DE

IT

FR

NL

ET

LT

LV

1.	Satura rādītājs	
1.	Ievads	3
1.1.	Zehnder EVO 3 iekārtas lietošana	3
1.2.	Garantijas nosacījumi	3
2.	Ievads un drošība	3
2.1.	Ievads	3
2.2.	Drošība	4
2.3.	Uzstādīšanas nosacījumi	4
2.4.	Izmantošanas noteikumi telpās ar kamīniem	5
2.5.	Atbilstība	5
3.	Transportēšana un piegāde	5
3.1.	Transportēšanas drošības norādījumi	5
3.2.	Piegādāto priekšmetu pārbaude	5
3.3.	Ventilācijas iekārtas izpakošana	6
4.	EVO 3 ierīces raksturlielumi	6
4.1.	Savienojumi	6
4.2.	Modeļa pārveidošana no "labās puses" uz "kreiso pusi"	7
4.3.	Ventilācijas bloka uzbūves shēma	7
4.4.	Tehniskās specifikācijas	8
4.5.	Elektrisko priekšsildītāju modeļi EVO 3 HRV PR un EVO 3 ERV PR	8
4.6.	Energoefektivitātes klases	8
4.7.	Veiktspējas diagrammas	9
4.8.	Darba punkti	9
4.9.	Entalpijas siltummaiņa darbības princips	9
4.10.	Akustiskie dati	10
5.	Uzstādīšana	10
5.1.	Izmēri	10
5.2.	Sākotnējie novērtējumi	10
5.3.	Uzstādīšana	11
5.4.	Griestu montāža	11
5.5.	Sienas montāža	12
5.6.	Savienojumu izvietojums	14
5.7.	Kondensāta drenāžas pieslēgšana	15
6.	Elektriskie savienojumi	16
7.	Vadības ierīces un savienojamība	18
7.1.	Zehnder Multi Control vadība	18
7.2.	Zehnder EVO Sense bezvadu	18
7.3.	Zehnder EVO Switch RF	18
7.4.	RF CO ₂ sensors	18
7.5.	RF mitruma sensors	18
7.6.	Viedā savienojamība	19
7.6.1.	EVO Connect ModBus	19
7.6.2.	EVO Connect ModBus-KNX	19
8.	Nodošana ekspluatācijā	20
9.	Darbība	20
9.1.	Apvadhanāla darbība	20
9.2.	Aizsardzības pret salu drošības ierīce	20
10.	Tehniskās apkopes procedūra	21
10.1.	Gaisa filtra apkope	21
10.2.	Ventilācijas iekārtas tīrīšana	22
11.	Vienības pārskats un sastāvdaļu apraksts	25

EN

DE

IT

FR

NL

ET

LT

LV

1. Ievads

Brīdinājums!



Pirms uzstādīšanas un nodošanas ekspluatācijā rūpīgi izlasiet šo rokasgrāmata.

Šajā dokumentā sniegts atbalsts drošai, optimālai Zehnder EVO 3 regulējamās mehāniskās ventilācijas iekārtas uzstādīšanai, nodošanai ekspluatācijā un apkopei.

Tālāk Zehnder EVO 3 var saukt par "ventilācijas iekārtu".

Tā kā mūsu produkti tiek nepārtraukti attīstīti un uzlaboti, jūsu ierīce var atšķirties no šeit sniegtajiem aprakstiem.

Jaunākais uzstādīšanas rokasgrāmatas izdevums ir pieejams lejupielādei Zehnder tīmekļa vietnē.

Tiek izmantotas šādas piktoqrammas:

Simbols	Nozīme
	Svarīga piezīme
	Sistēmas bojājumu vai darbības traucējumu risks
	Personisku traumu risks

!/? Jautājumi

Par visiem jautājumiem, jaunākajām rokasgrāmatu versijām un informāciju par tehniskā servisa centriem lūdzam sazināties ar Zehnder centrālo biroju.

Kontaktinformācija:

Zehnder Baltics OÜ

Rannamõisa tee 38d, 13516 Tallinn, Igaunija

+371 26 334 452

info.baltics@zehndergroup.com

www.zehnder.lv

1.1. Zehnder EVO 3 iekārtas lietošana

- Ventilācijas iekārtu un jebkuru vadības ierīci drīkst ekspluatēt tikai tad, ja tās ir uzstādītas saskaņā ar spēkā esošajiem valsts un vietējiem noteikumiem, ievērojot šajā rokasgrāmatā un vadības rokasgrāmatā sniegtos norādījumus.
- Ventilācijas iekārtu un vadības ierīci nedrīkst lietot personas (tostarp bērni) ar ierobežotām fiziskajām, maņu vai garīgajām spējām vai bez nepieciešamās pieredzes un prasmēm, ja vien tās nav atbildīgas personas uzraudzībā un nav saņēmušas drošai lietošanai nepieciešamās instrukcijas.
- Bērni nedrīkst spēlēties ar ventilācijas ierīci.
- Bērni nedrīkst veikt nekādas procedūras ar ventilācijas ierīci bez uzraudzības.

1.2. Garantijas nosacījumi

Ražotājs ventilācijas ierīcei sniedz garantiju 24 mēnešus pēc uzstādīšanas vai ne ilgāk kā 30 mēnešus no izgatavošanas datuma. Garantijas tiesības var izmantot tikai attiecībā uz materiāla un/vai konstrukcijas defektiem, kas radušies garantijas laikā.

Ja tiek pieprasīti garantijas darbi, ventilācijas iekārtu nedrīkst atvērt vai izjaukt bez ražotāja sertificēta servisa speciālista uzraudzības vai atļaujas. Garantija attiecas tikai uz remontdarbiem un rezerves daļām, ko veic pilnvarots tehniskā servisa centrs, izmantojot oriģinālas Zehnder rezerves daļas.

Garantija zaudē spēku, ja:

- Garantijas termiņš ir beidzies.
- Ventilācijas ierīce tiek lietota bez oriģināla Zehnder filtra vai bez ārējās sienas restes.
- Nav izmantotas oriģinālas Zehnder rezerves daļas.
- Ventilācijas iekārtā ir veiktas neatļautas modifikācijas vai izmaiņas.
- Defektu cēlonis ir nepareiza uzstādīšana, nepareiza lietošana vai slikta sistēmas apkope.





2. Ievads un drošība

2.1. Ievads

Zehnder EVO 3 ir regulējama mehāniskās ventilācijas iekārta ar siltuma atgūšanu, kas paredzēta pastāvīgas, energoefektīvas gaisa apmaiņas nodrošināšanai nelielās ēkās, dzīvokļos un mājās. Ventilācijas iekārta izsūc mitru, netīru gaisu no tādām telpām kā virtuves un vannas istabas un vienlaikus piegādā tādu pašu svaiga gaisa apjomu uz dzīvojamām telpām, piemēram, viesistabām, guļamistabām utt. Gaiss cirkulē caur spraugām zem durvīm vai īpašām tranzīta režģiem ar trokšņu slāpētāju.








Mehāniski kontrolētās ventilācijas iekārtu sistēmā ietilpst:


- ventilācijas iekārta;
- kanāli āra gaisa ieplūdei un gaisa izvadišanai no iekārtas;
- sekundārie pieplūdes un nosūces gaisa vadi dažādās telpās;
- vārsti svaiga gaisa piegādei uz atpūtas telpām, guļamistabām un citām dzīvojamām telpām;
- vārsti, lai aizvadītu nosūces gaisu no virtuvēm, vannas istabām un citām mitrām telpām;
- āra restes gaisa ieņemšanai un izmešanai.


-  Pirms sākt lietot ventilācijas ierīci, izlasiet rokasgrāmatu.
-  Pārlicinieties, ka spraugas zem durvīm vai pārplūdes restes nekad nav aizsprostotas, lai nodrošinātu gaisa cirkulāciju ēkā.
-  Ventilācijas iekārtas āra pusē var veidoties kondensāts. Šādā gadījumā nav jāveic nekādas darbības.
-  Ventilācijas iekārta jāiznīcina videi draudzīgā veidā. Neizmetiet ierīci kopā ar sadzīves atkritumiem.


2.2. Drošība


Rūpīgi izlasiet visus drošības norādījumus, lai nodrošinātu drošu un pareizu ventilācijas iekārtas lietošanu.

-  **BRĪDINĀJUMS! Bīstams elektriskais spriegums. Dabas katastrofas gadījumā atvienojiet strāvas padevi.**
-  **Ievērojiet drošības noteikumus, piesardzības pasākumus un instrukcijas, kas sniegtas šajā rokasgrāmatā. To neievērošana var izraisīt ierīces bojājumus vai personas traumas.**
-  **Uzstādīšana, nodošana ekspluatācijā un apkope jāveic speciālistiem, ja vien instrukcijās nav norādīts citādi.**
-  **Neatveriet ventilācijas ierīci. Speciālistam ir jānodrošina, lai visas detaļas, kas var radīt personiskas traumas, tiktu droši novietotas iekārtas iekšpusē.**
-  **Ja vien šajā instrukcijā nav noteikts citādi, vienmēr uzturiet ierīci darba kārtībā. Pretējā gadījumā var uzkrāties mitrums un veidoties pelējums.**
-  **Ir aizliegts pārveidot ventilācijas iekārtu un tai pievienotās vadības ierīces. Fiziskas vai programmatūras izmaiņas izraisa garantijas seguma zaudēšanu un var izraisīt darbības traucējumus vai personas traumas.**
-  **Ja strāvas kabelis ir bojāts, tas jānomaina Zehnder pilnvarotam speciālistam.**

 **Uzstādot ierīci, jāievēro spēkā esošie valsts un vietējie noteikumi un šī rokasgrāmata. Uzstādiet drošības slēdzi, lai atvienotu strāvas padevi iekārtai.**

 **Pirms apkopes vai remonta darbu uzsākšanas vienmēr atvienojiet ventilācijas ierīci no elektrofikla. Pārlicinieties, ka to nevar nejauši iedarbināt no jauna.**

 **Neiedarbiniet ventilācijas iekārtu, ja tā ir atvērta: elektriskais spriegums un ventilatoru kustība var radīt miesas bojājumus.**

 **Veiciet atbilstošus pasākumus, lai novērstu elektrostatisko izlādi, strādājot ar ierīci. Statiskā elektrība var sabojāt elektriskās sastāvdaļas.**

2.3. Uzstādīšanas nosacījumi

Ventilācijas iekārta ir paredzēta lietošanai mājās, birojos, nelielās darbnīcās un līdzīgās vietās, ja:

- nav saunu vai peldbaseinu;
- mitruma līmenis nav pārmērīgi augsts;
- putekļu līmenis nav pārmērīgi augsts;
- nav kaitīgu vai potenciāli kodīgu vielu.


Lai noteiktu, vai ventilācijas iekārtu var izmantot paredzētajā vietā, pārbaudiet, vai:

- ir pieejama 230 V, 50 Hz elektrības padeve; jebkurš cits darba spriegums vai frekvence var radīt neatgriezeniskus iekārtas bojājumus;
- telpas temperatūra visu laiku ir atļautajā diapazonā (skatīt tabulu "Tehniskās specifikācijas");
- mitrums telpā nav pārmērīgi liels, nav kondensācijas un vienmēr ir atļautajā diapazonā (sk. tabulu "Tehniskās specifikācijas"). Neuzstādiet ierīci vietās, kur mitrums ir virs vidējā, piemēram, vannas istabās vai ģērbtuvēs.

Pārbaudiet, vai uzstādīšanas vietā ir pietiekami daudz vietas gaisa sadales sistēmai.

Atstājiet ventilācijas ierīci pilnībā pieejamu, lai varētu veikt tehniskās apkopes procedūras.

Zehnder EVO 3 var uzstādīt pie sienas vai griestiem, izmantojot komplektā iekļautos montāžas kronšteinus.

 **Lai pārbaudītu dažādās uzstādīšanas iespējas, skatiet konkrēto sadaļu.**

EN

DE

IT

FR

NL

ET

LT

LV

2.4. Izmantošanas noteikumi telpās ar kamīniem

Ventilācijas iekārtas drošai lietošanai jāņem vērā vietējās prasības, kas ietvertas attiecīgajos noteikumos, likumos un direktīvās.

Zehnder EVO 3 var uzstādīt izklaides vietās, dzīvokļos vai līdzīgās ēkās, kur ir uzstādīti kamīni vai citas apkures sistēmas, kas darbojas ar apkārtējo gaisu, tikai tad, ja:

- drošības ierīces nepieļauj vienlaicīgu apkārtējā gaisa kamīnu un gaisa nosūces sistēmas darbību.

Vai

- dūmgāzu izplūdi no sadedzināšanas sistēmas, kas darbojas ar apkārtējās vides gaisu, uzrauga īpašas drošības ierīces. Ja sadedzināšanas sistēmās sadedzina šķidro vai gāzveida kurināmo, sadedzināšanas sistēma vai ventilācijas sistēma ir jāizslēdz, ja nostrādā drošības ierīce. Sadedzināšanas sistēmās, kurās sadedzina cieto kurināmo, ventilācijas sistēma ir jāizslēdz, ja nostrādā drošības ierīce.

Kontrolētas mehāniskās ventilācijas iekārtas nevar uzstādīt, ja ēkas blokā ir apkures sistēmas, kurās izmanto apkārtējās vides gaisu, kas savienots ar dūmgāzu izvades sistēmām ar vairākiem savienojumiem. Lai nodrošinātu pareizu darbību, jābūt iespējai izslēgt sadegšanas gaisa cauruļvadus un dūmgāzu novadīšanas sistēmas atklātās kameras sistēmās.

Jābūt iespējai nodzēst cietā kurināmā kamīnus, izmantojot atslēgšanas ierīci, ko var darbināt tikai manuāli. Izslēgšanas ierīces novietojumam jābūt skaidri saskatāmam no vadības roktura novietojuma. Šī prasība ir izpildīta, ja tiek izmantota pretsaušu atslēgšanas ierīce (kvēpu bloķēšanas ierīce).

Ugunsdrošības prasības: jāievēro valsts un vietējie noteikumi par kontrolējamās mehāniskās ventilācijas sistēmas uzstādīšanu un ugunsdrošību.

2.5. Atbilstība

Ražotāja Zehnder EVO ventilācijas iekārtas

Siber Zone S.l.u.



C/Can Marcia 2
08520 Las Frenquesas des Vallés
Apto de Correos n°9
Barcelona, Spānija

atbilst ES atbilstības deklarācijas un EAC sertifikāta direktīvām un noteikumiem.

3. Transportēšana un piegāde

3.1. Transportēšanas drošības norādījumi



Uzglabāšanas un pārvadāšanas atļautais temperatūras diapazons ir no -20 °C līdz +50 °C.



Pirms ventilācijas iekārtas transportēšanas izlasiet drošības informāciju un norādījumus.



Ventilācijas ierīci vienmēr pārnēsājiet ar citas personas palīdzību. Transportēšanas un izkraušanas laikā ar ventilācijas iekārtu jārīkojas uzmanīgi.



Ventilācijas iekārtas malas var būt asas. Lai izvairītos no iegriezumiem, valkājiet aizsargcimdus.

3.2. Piegādāto priekšmetu pārbaude

Kastē ir:

- Zehnder EVO 3 ventilācijas iekārta;
- Ātrās uzstādīšanas rokasgrāmata;
- EcoDesign etiķete;
- Uzstādīšanas kronšteini;
- Maisiņš ar pretvibrācijas šuvēm un stiprinājuma skrūvēm.

Pārbaudiet datu plāksnīti, lai pārliecinātos, ka piegādātā ierīce ir pareizā:

- EVO 3 HRV: iekārta ar siltuma atguves siltummaini;
- EVO 3 ERV: iekārta ar entalpijas siltummaini;
- EVO 3 HRV PR: iekārta ar siltuma atguves siltummaini un elektrisko priekšsildītāju;
- EVO 3 ERV PR: iekārta ar entalpijas siltummaini un elektrisko priekšsildītāju.



Ja ventilācijas iekārtai ir acīmredzami bojājumi vai trūkst piederumu, nekavējoties sazinieties ar piegādātāju.

Zehnder EVO 3 ventilācijas iekārta tiek piegādāta bez regulēšanas piederumiem. Papildaprīkojumu skatiet attiecīgajā sadaļā.

EN

DE

IT

FR

NL

ET

LT

LV

3.3. Ventilācijas iekārtas izpakošana

Atveriet kartona iepakojuma augšējo daļu. Paceliet ventilācijas ierīci no iepakojuma un novietojiet to uz tīras, mīksts virsmas, lai to nesabojātu.

Kartona kārbu paturiet, lai to izmantotu kā šablonu, urbjot nepieciešamos caurumus ierīces uzstādīšanas laikā.



Rīkojieties ar ventilācijas iekārtu uzmanīgi. Lai paceltu iekārtu, ir nepieciešami divi cilvēki. Neceliet iekārtu aiz savienojumiem, jo tas var tos sabojāt.



Izmetiet iepakojuma materiālu videi draudzīgā veidā.



Uzmanieties, lai nezaudētu komplektācijā iekļautos piederumus.

4. EVO 3 ierīces raksturlielumi

Zehnder EVO 3 iekārta ir divplūsmu regulējama mehāniskās ventilācijas iekārta ar veiktspēju līdz 88,9 % (veiktspējas deklarācija saskaņā ar ES 1254/2014), ar maksimālo ventilācijas gaisa plūsmu 300^{m³/h}, enerģiju taupošiem ventilatoriem un automātisku apvadkanālu, kas nodrošina "brīvu dzesēšanu".

EVO 3 iekārtas raksturojums:

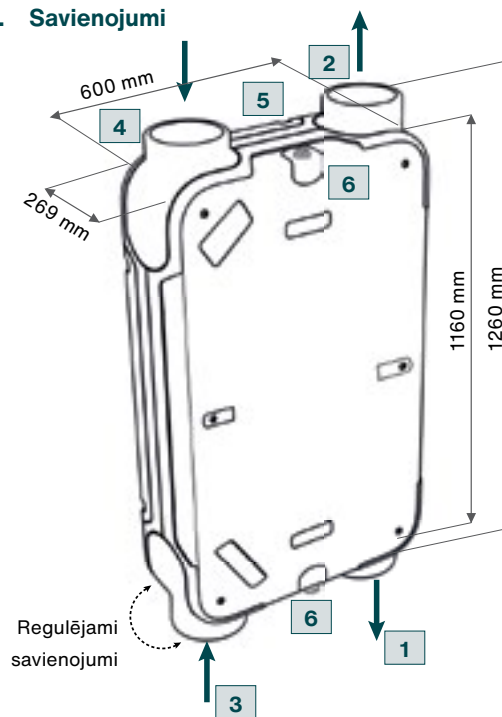
- nepārtraukta gaisa plūsmas regulēšana, izmantojot vadības paneli;
- filtra statusa indikators;
- vieda aizsardzības pret sasalšanu regulēšanas sistēma, kas nodrošina optimālu darbību pat pie zemām temperatūrām. Ja iegādātā iekārta ir "PR" versija, nepieciešamības gadījumā tiek aktivizēts elektriskais priekšsildītājs;
- zems trokšņa līmenis;
- automātiskais apvadkanāls iekļauts standarta aprīkojumā;
- pastāvīga plūsmas ātruma regulēšana;
- augsta veiktspēja un zems enerģijas patēriņš.

Zehnder EVO 3 ir pieejams 4 versijās:

- EVO 3 HRV: iekārta ar siltuma atguves siltummaini;
- EVO 3 ERV: iekārta ar entalpijas siltummaini;
- EVO 3 HRV PR: iekārta ar siltuma atguves siltummaini un elektrisko priekšsildītāju;
- EVO 3 ERV PR: iekārta ar entalpijas siltummaini un elektrisko priekšsildītāju.

Šīs uzstādīšanas instrukcijas attiecas uz visām Zehnder EVO 3 iekārtas versijām.

4.1. Savienojumi



Standarta "labās puses" konfigurācija

Simbols	Nozīme
1	Svaigā gaisa pieplūde dzīvoklī
2	Netīrā gaisa izvadīšana ārā
3	Netīrā gaisa nosūce no dzīvokļa
4	Svaigā gaisa ieņemšana no āra
5	Elektriskie savienojumi
6	Kondensāta noteka*

* EVO 3 HRV un EVO 3 HRV PR iekārtām ir nepieciešams pieslēgums kondensāta novadīšanas sistēmai. Papildu informāciju skatiet attiecīgajā sadaļā.

EN

DE

IT

FR

NL

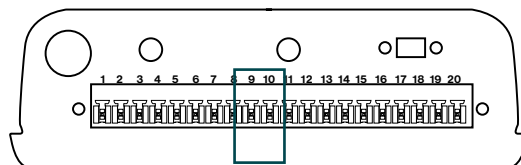
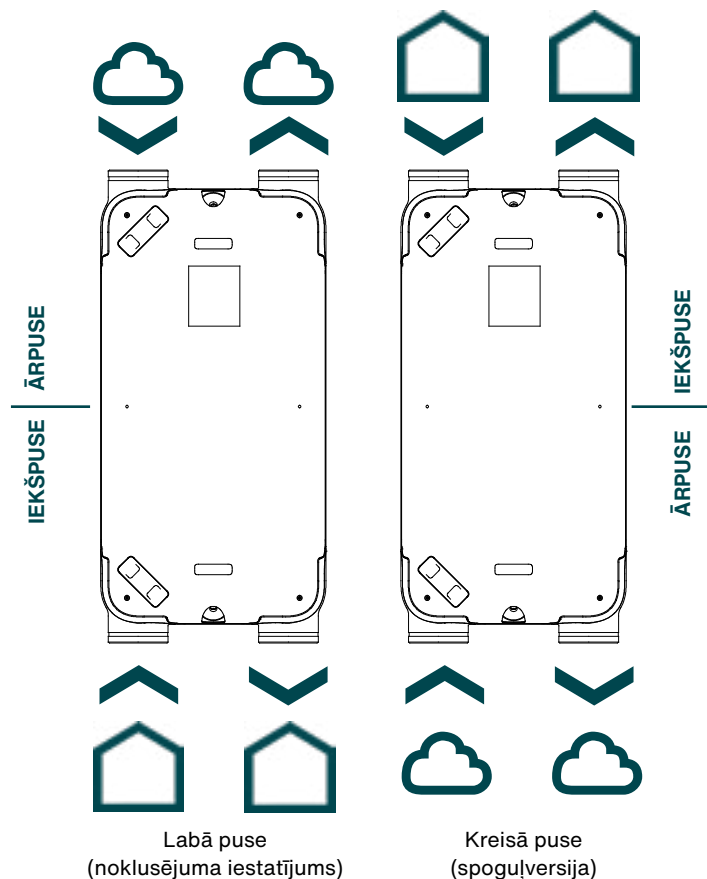
ET

LT

LV

4.2. Modeļa pārveidošana no "labās puses" uz "kreiso pusi"

Lai mainītu iestatījumu no "labās puses" uz "kreiso pusi", vienkārši savienojiet 9. un 10. kontaktus.



SVARĪGI!

Ja ierīce tiek montēta pie sienas, to var uzstādīt **TIKAI** ar elektrības savienotājiem uz augšu. Iekārta ar siltummaini (HRV) **OBLIGĀTI** jāuzstāda tā, lai ārējā gaisa ieplūdes un izplūdes gaisa izplūdes savienojuma punkts būtu vērsti uz leju ("kreisā puse").

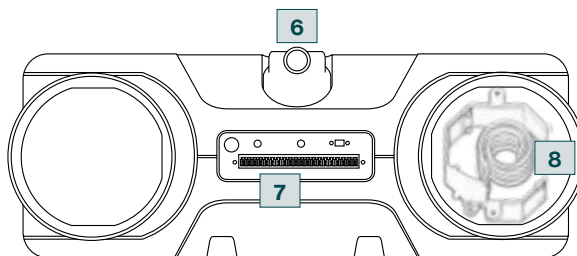
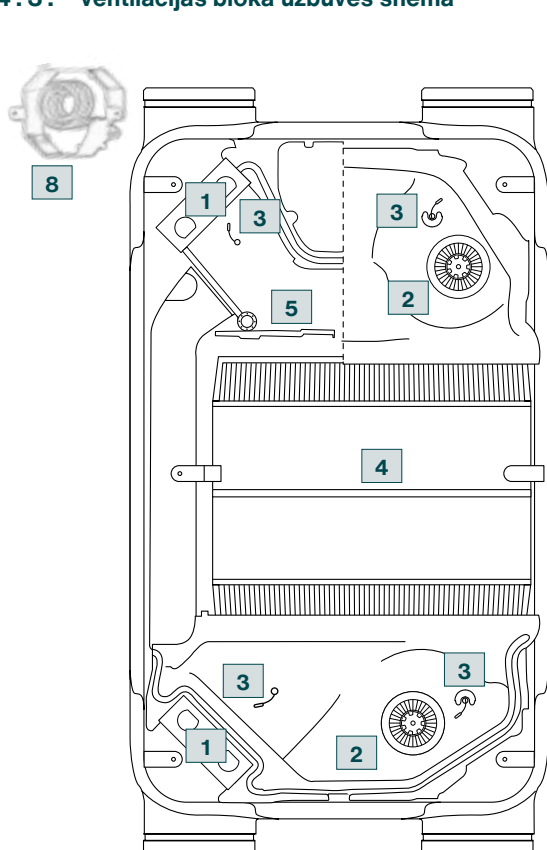
Skat. attiecīgo sadaļu.

SVARĪGI!

Modeļu pārveidošana no "labās puses" uz "kreiso pusi" nav iespējama modeļiem:

EVO 3 HRV PR un EVO 3 ERV PR

4.3. Ventilācijas bloka uzbūves shēma








Simbols	Nozīme
1	Augstas veiktspējas filtri
2	Enerģiju taupoši ventilatori
3	Temperatūras sensori
4	Augstas efektivitātes siltummainis
5	Automātisks apvadkanālas (Bypass)
6	Kondensāta noteka*
7	Elektriskie savienojumi
8	Priekšsildītājs**

* EVO 3 HRV un EVO 3 HRV PR iekārtām ir nepieciešams pieslēgums kondensāta novadīšanas sistēmai

** Standarta komplektācijā iekļauts tikai modeļiem EVO 3 HRV PR un EVO 3 ERV PR

4.4. Tehniskās specifikācijas

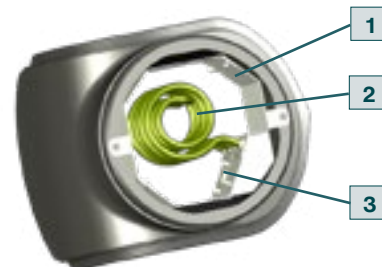
Zehnder EVO 3					
Izmēri (garums x platums x dziļums)	1160 x 600 x 269 mm				
Svars	36 kg				
Uzstādīšana	Horizontāli griestos vai vertikāli pie sienas (*)				
Uzstādīšanas apkārtējās temperatūras diapazons	no 10 līdz 45 °C				
Uzstādīšanas apkārtējās vides mitruma diapazons	< 90 % bez kondensācijas				
Kondensāta novadīšanas savienojums (Ø)	1/2"				
Gaisa vadu savienojumu izmērs (Ø)	Ø 160				
Tīkla spriegums	230 V / 50 Hz				
Maksimālais gaisa plūsmas ātrums	300 m³/h / 83.2 l/s				
	Zehnder EVO 3 HRV		Zehnder EVO 3 ERV		
Standarta filtri	2x ISO Coarse 65 % (G4) plūsmas un izplūdes filtriem				
Papildu filtri	ISO ePM1 55 % (F7) / ISO Coarse 65 % (G4) plūsmas un izplūdes filtriem				
Ventilācijas režīms					
ComfoSense S vadība	0	1	2	3	Pastiprināts
Ventilācijas plūsmas ātrums (m³/h)	90	120	180	240	300

(*) Skat. attiecīgo sadaļu par iespējām un piesardzības pasākumiem ierīces montāžai pie sienas

4.5. Elektrisko priekšsildītāju modeļi EVO 3 HRV PR un EVO 3 ERV PR

EVO 3 HRV PR un EVO 3 ERV PR modeļiem elektriskais priekšsildītājs ir uzstādīts standarta aprīkojumā uz āra gaisa ieņemšanas savienojuma. Tas paaugstina ienākošā gaisa temperatūru par 10 °C, aizsargājot rekuperatoru gada aukstākajās dienās. Ja iespējams, ieteicams uzstādīt ārēju priekšfiltru, lai novērstu netīrumu uzkrāšanos uz priekšsildīšanas elementa.

1. Sildītāji no AISI304L nerūsējošā tērauda
2. Jauda 1 kW
3. Automātiskais atslēgums pie 40 °C novērš pārkaršanu



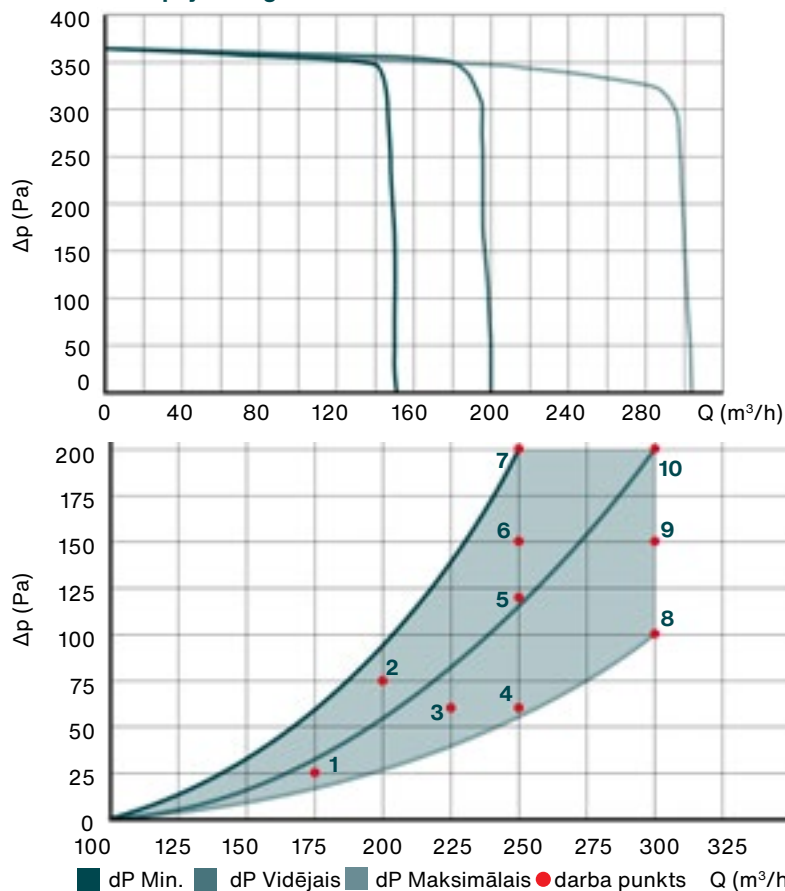
4.6. Energoefektivitātes klases

Energoefektivitātes klases saskaņā ar Eiropas Savienības Regulu Nr. 1254/2014.

Enerģijas dati		Enerģijas dati	
ES enerģijas patēriņa marķējums EVO 3 HRV		ES enerģijas patēriņa etiķete EVO 3 ERV	
Energoefektivitātes klase	A⁺ **	Energoefektivitātes klase	A **
Maksimālais gaisa plūsmas ātrums [m³/h]	300	Maksimālais gaisa plūsmas ātrums [m³/h]	300
Sertificētā energoefektivitāte	88.9%	Sertificētā energoefektivitāte	74.3%
Skaņas jaudas līmenis LWA dB(A)	45	Skaņas jaudas līmenis LWA dB(A)	45

** atkarībā no izvēlēta vadības bloka/ sensoru tipa.

4.7. Veiktspējas diagrammas

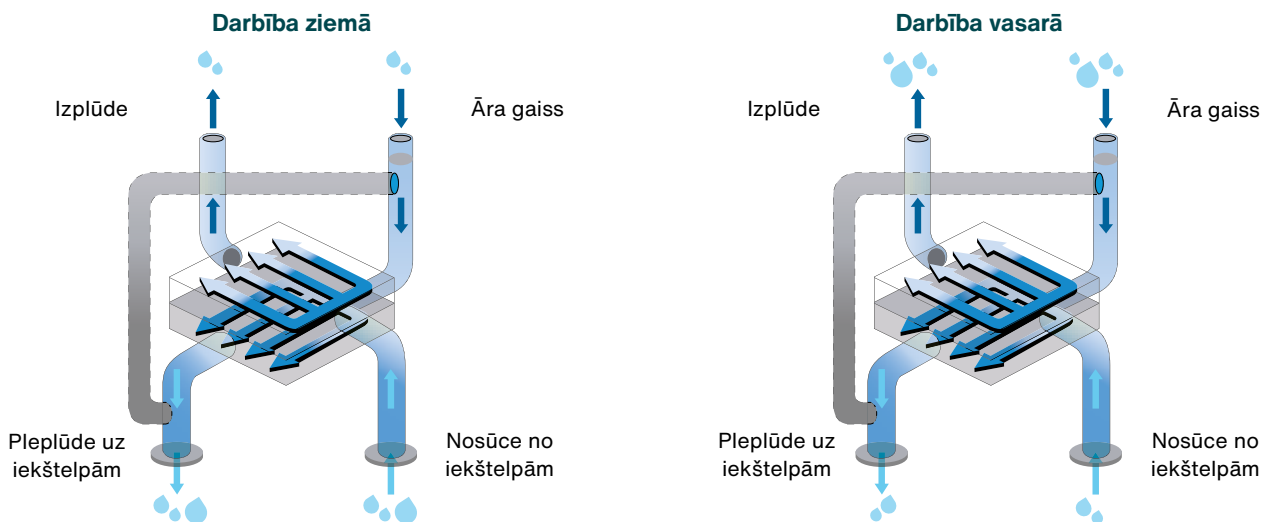


- zems ventilatora apgriezienu skaits
- vidējais ventilatora apgriezienu skaits
- augsts ventilatora ātrums

4.8. Darba punkti

Darba punkti				
Punkts	Plūsmas ātrums [m³/h]	Spiediens [Pa]	Jauda [W]	SFP [W/l/s]
1	175	25	28	0.58
2	200	75	56	1.01
3	225	60	66	1.06
4	250	60	84	1.21
5	250	120	106	1.53
6	250	150	113	1.63
7	250	200	151	2.17
8	300	100	133	1.60
9	300	150	146	1.75
10	300	200	153	1.84

4.9. Entalpijas siltummaiņa darbības princips



Ziemā siltais, mitrais gaiss no virtuvēm un vannas istabām tiek izvadīts no mājas vides. Siltummainī šis gaiss sastopas ar aukstu, ļoti sausu āra gaisu un nodod tam savu siltumu un daļu mitruma. Tas nozīmē, ka āra gaiss tiek piegādāts telpā ar tādu temperatūru un mitrumu, kas nodrošina visaugstāko komforta līmeni iekšējās, pārmērīgi neizžāvējot gaisu. Entalpijas siltummainis palīdz apkures sistēmai uzturēt ideālu gaisa temperatūru pat visaukstākajā laikā. Vasarā no iekšējām telpām tiek izvadīts vēss, izžāvēts gaiss.

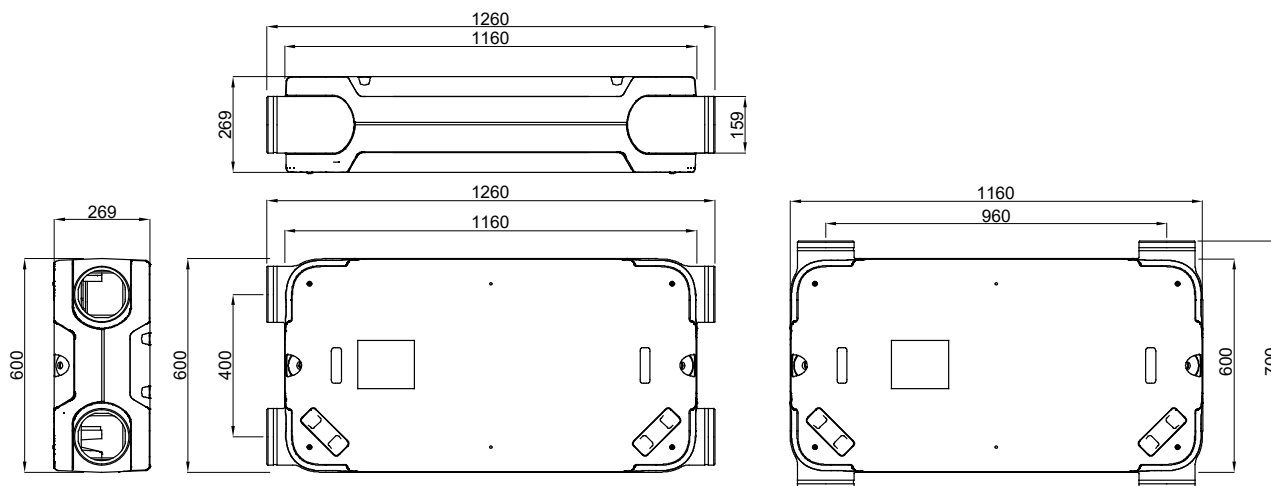
Siltummainī tas satiekas ar karsto, mitro āra gaisu, to iepriekš atdzesējot un iepriekš izsausinot. Tādējādi ventilācijas iekārta palīdz aktīvai dzesēšanas un gaisa sausināšanas sistēmai uzturēt iekšējā komfortu ar ļoti zemu enerģijas patēriņu. Entalpijas siltummainis ir paredzēts gaisa pēcapstrādei, kā gaisa susinātājs kombinācijā ar starojuma dzesēšanas iekārta vai gaisa kondicionēšanas ventilāciju.

4.10. Akustiskie dati

Skaņas līmenis									
Atsauces plūsmas ātrums	m ³ /h	90	150	200	300				
References spiediens	Pa	50	50	100	80	150	100	200	
Skaņas jauda L _w (A)	Iekārtas korpuss	dB(A)	36	40	44	46	49	52	54
	Nosūce/Āra gaiss	dB(A)	38	42	46	47	50	54	56
	Pieplūde/Izmešana	dB(A)	53	55	60	61	64	67	69
Skaņas spiediens L _p (A) 1,5 m attālumā	Iekārtas korpuss	dB(A)	21	25	29	31	34	37	39

5. Uzstādīšana

5.1. Izmēri



5.2. Sākotnējie novērtējumi



Pirms jebkuras uzstādīšanas vai demontāžas procedūras veikšanas atvienojiet elektroenerģijas padevi.



Pārliecinieties, ka ierīce nemonāks saskarē ar ūdeni vai ūdens šļakatām.



Uzstādīšanas laikā nepieļaujiet, lai bērni un mājdzīvnieki atrastos uzstādīšanas vietā.



Pārliecinieties, ka ap ierīci, tās priekšā un/vai zem tās ir pietiekami daudz vietas apkopei.

Lai pareizi uzstādītu ventilācijas ierīci, to nebojājot, ir nepieciešami divi cilvēki.

Zehnder EVO 3 var uzstādīt tieši pie sienas vai griestiem, izmantojot komplektācijā iekļautos montāžas kronšteinus. Lai izvairītos no vibrācijām, ierīce jāuzstāda pie sienas vai griestiem, kuru blīvums ir vismaz 200^{kg/m²}; nepietiek tikai ar betona vai metāla konstrukciju. Šādā gadījumā ir nepieciešami papildu pasākumi, piemēram, dubultas stieģrojuma plāksnes vai papildu kronšteini.

Lai novērstu ventilatora vibrāciju un troksni, ierīce ir jāizlīdzina vertikāli vai horizontāli (atkarībā no uzstādīšanas vietas).

5.3. Uzstādīšana



Neuzstādiet ierīci ārpus telpām. Pārbaudiet, vai uzstādīšanas vides temperatūra un mitrums vienmēr ir atļautajās darbības robežās.

Ventilāciju var uzstādīt horizontāli (uz griestu kronšteinu) vai vertikāli (uz sienas kronšteinu).

Ja izvēlēta iekārta ir EVO 3 HRV vai EVO 3 HRV PR, uzstādīšanas vietā jābūt efektīvai kondensāta novadīšanas sistēmai ar sifonu un pietiekamu slīpumu, kas vienmēr ir brīva un nav pakļauta sala iedarbībai, lai nodrošinātu pastāvīgu pareizu kondensāta novadīšanu.



Pārliecinieties, ka kondensāta novadīšanas slīpums nav paralēls ierīcei vai vērsts atpakaļ pret to.

Ja izvēlēta iekārta ir EVO 3 ERV vai EVO 3 ERV PR, kondensāta novadīšana nav nepieciešama.

Uzstādīšanas vietā jānodrošina pietiekami daudz vietas gan regulārai apkopei (filtru nomaiņai), gan ārkārtas apkopei (tee vienības atvēršanai, siltummaiņa un ventilatoru izvilksanai un tīrīšanai u. c.).

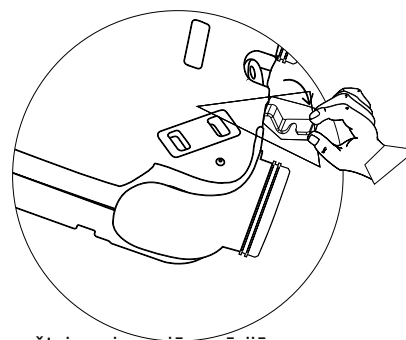
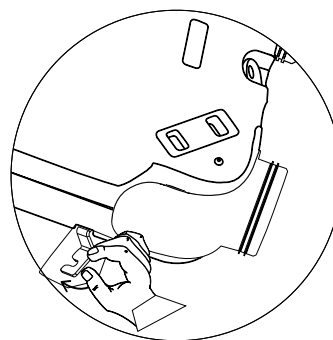


Ierīce ir paredzēta montāžai pie sienas vai griestiem. To NAV IESPĒJAMS uzstādīt uz grīdas.

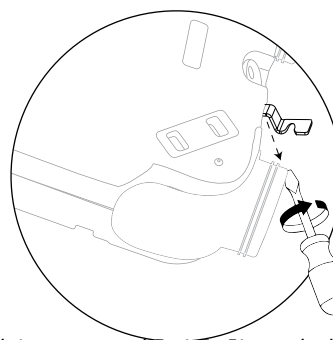
5.4. Griestu montāža

1. Iekārta tiek piegādāta ar montāžas kronšteinu, kas ievietoti atsevišķā plastmasas maisiņā ierīces iepakojumā.

- Novietojiet montāžas kronšteinus garajā vai īsajā pusē atkarībā no uzstādīšanas prasībām.

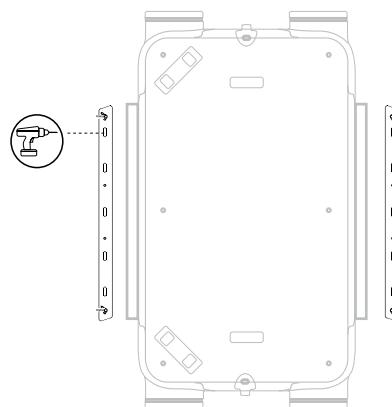


- Ieskrūvējiet kronšteinus jaunajā pozīcijā.



2. Virsmā izurbiet caurumus, kā atzīmēts, un ieskrūvējiet montāžas kronšteinus ovālajos caurumos.

- Garā puse:



EN

DE

IT

FR

NL

ET

LT

LV

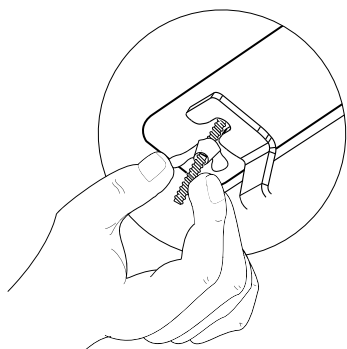
- Īsā pusē:



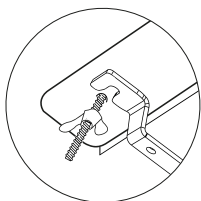
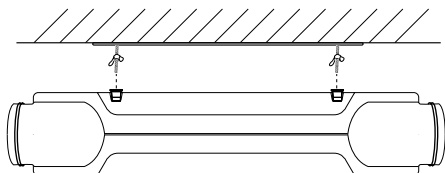
SVARĪGI!

Kronšteinim jābūt 630 mm attālumā vienam no otra garajās pusēs (standarta versija) un 1195 mm attālumā vienam no otra īsajās pusēs.

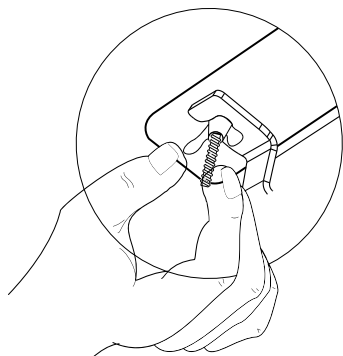
3. Atgrieziet spārnu uzgriežņus, līdz tie ir tikai 1 cm gar vītņi.



4. Novietojiet iekārtu uz vadotnes augšdaļas un bīdiet to, līdz tā nofiksējas aiz vītņstieņa.



5. Pievelciet spārnu uzgriežņus, lai nostiprinātu ierīci pie kronšteina.



5.5. Sienas montāža

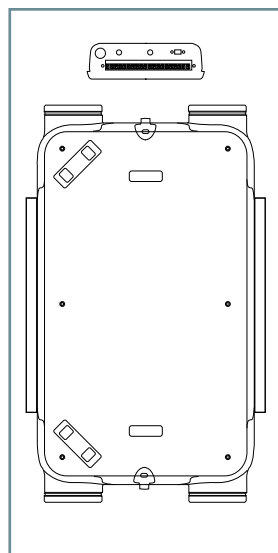


Lai nodrošinātu efektīvu kondensāta novadīšanu, ierīce jāuzstāda vertikāli un jāizlīdzina vertikālā plaknē.

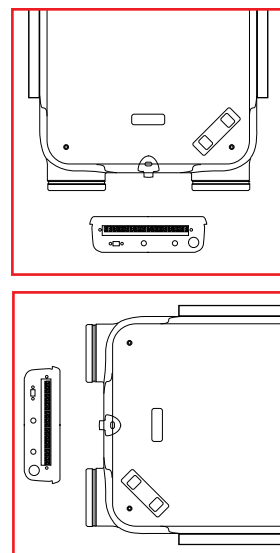


Uzstādiet ierīci TIKAI tā, lai vadības shēmas plates savienotājs būtu vērsts uz augšu. Ierīci nevar uzstādīt otrādi, ar elektrības savienojumiem uz leju.

Pareiza uzstādīšana

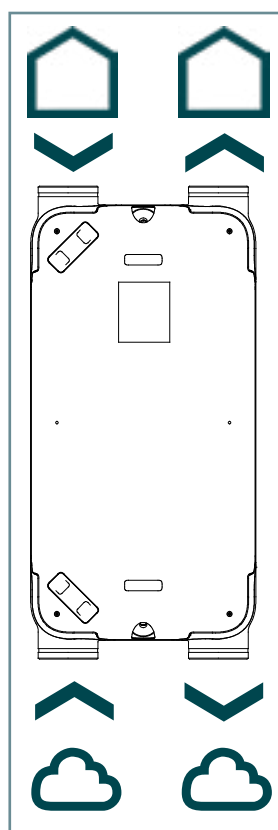


NEPAREIZA uzstādīšana

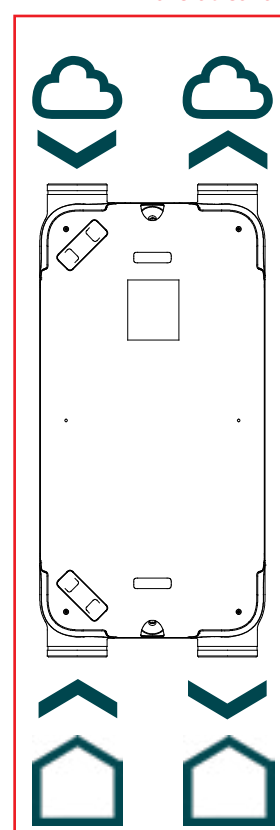


Ierīci ar siltuma siltummaiņu (HRV) uzstādiet TIKAI "kreiso pusi", ar ārējā gaisa ieņemšanas un netīrā gaisa izmešanas savienojumiem vēršiem uz leju.

Pareiza uzstādīšana



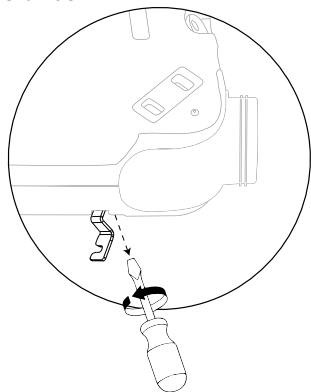
NEPAREIZA uzstādīšana



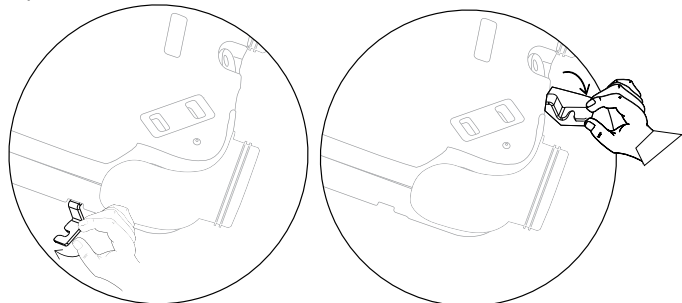
- EN
- DE
- IT
- FR
- NL
- ET
- LT
- LV

1. Ierīce tiek piegādāta ar montāžas kronšteinus, kas pēc noklusējuma uzstādīti garajā pusē. Lai to pārvietotu uz īso pusī, rīkojieties šādi.

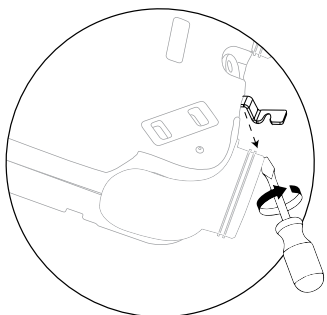
- Atskrūvējiet kronšteinus.



- Pārvietojiet kronšteinus uz īso pusī, saglabājot tos vienā un tajā pašā virzienā.

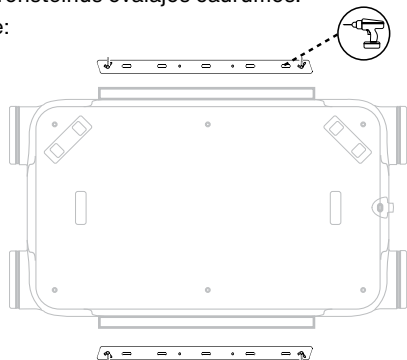


- Ieskrūvējiet kronšteinus jaunajā pozīcijā.

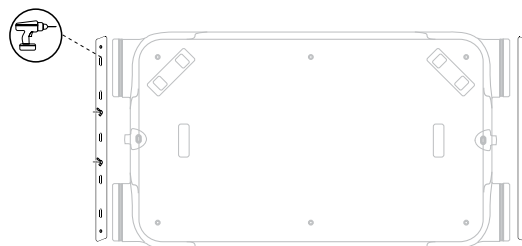


2. Virsmā izurbiet caurumus, kā atzīmēts, un ieskrūvējiet montāžas kronšteinus ovālajos caurumos.

- Garā pusē:



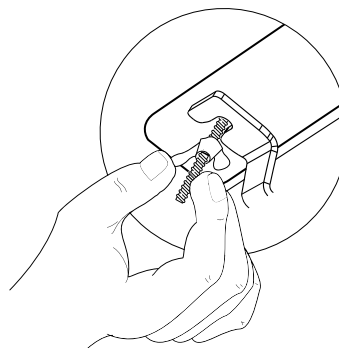
- Īsā pusē:



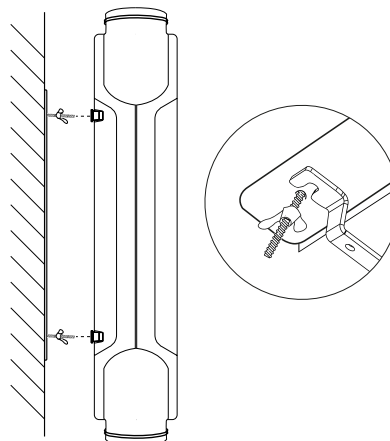
SVARĪGI!

Kronšteinam jābūt 630 mm attālumā vienam no otra garajā pusēs (standarta versija) un 1195 mm attālumā vienam no otra īsajās pusēs.

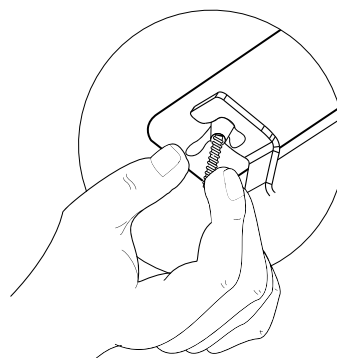
- 3. Atgrieziet spārnu uzgriežņus, līdz tie ir tikai 1 cm gar vītņi.



- 4. Novietojiet iekārtu uz vadotnes augšdaļas un bīdiet to, līdz tā nofiksējas aiz vītņstieņa.



- 5. Pievelciet spārnu uzgriežņus, lai nostiprinātu ierīci pie kronšteina.



EN

DE

IT

FR

NL

ET

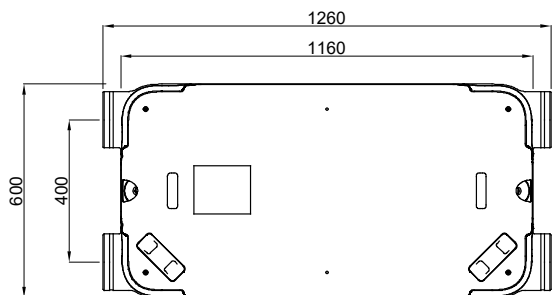
LT

LV

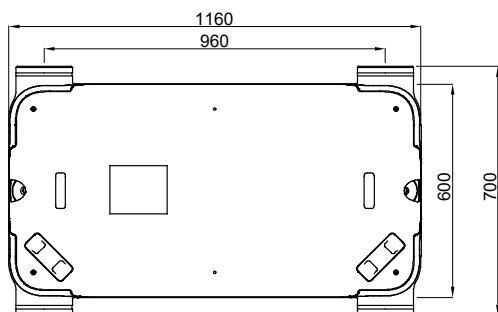
5.6. Savienojumu izvietojums

Tālāk ir parādīta savienojumu pagriešanas procedūra.

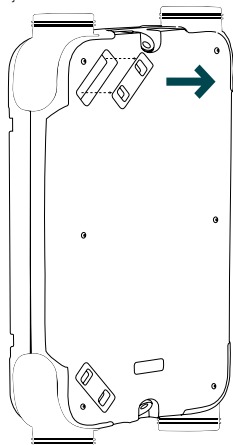
- Noklusējuma konfigurācija:



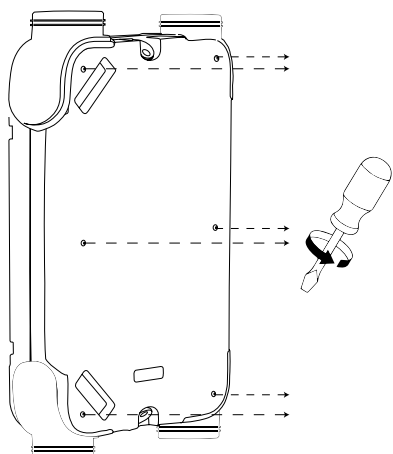
- Konfigurācija ar savienojumiem, kas pagriezti par 90°:



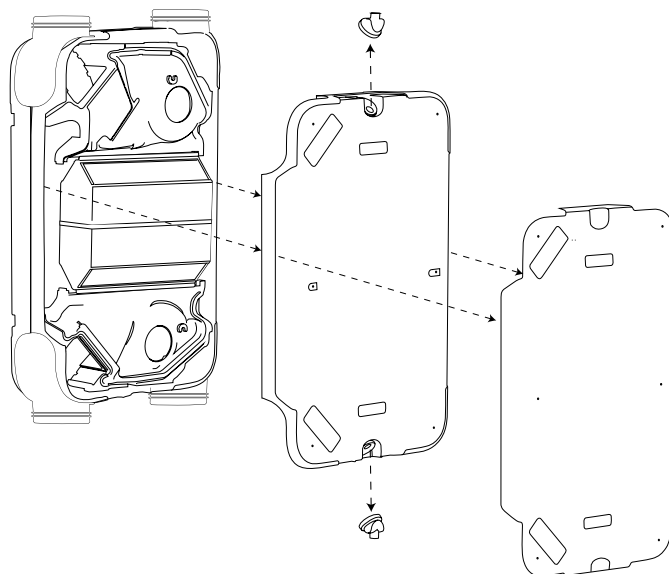
1. Noņemiet filtru vāciņus



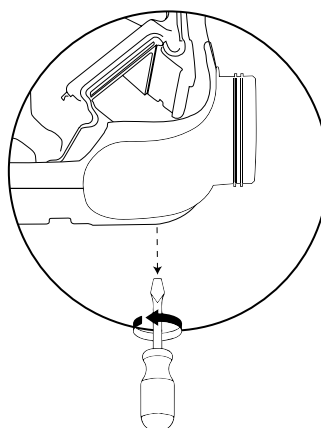
2. Atskrūvējiet vāka ārējās skrūves



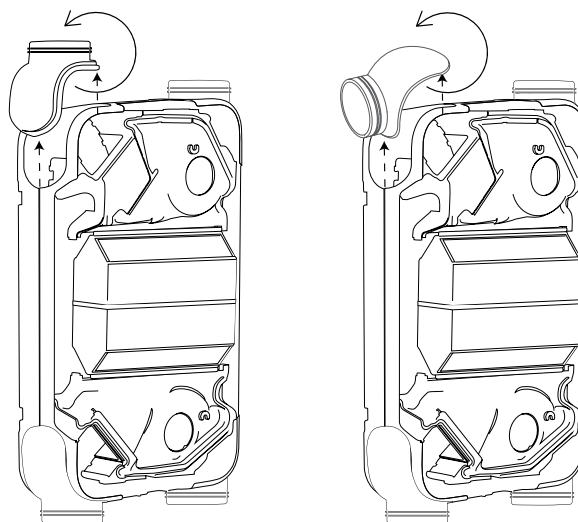
3. Noņemiet ārējo metāla vāku un augšējo polipropilēna vāku, atklājot ierīces iekšpusi



4. Atskrūvējiet EPP savienojumu stiprinājuma skrūves



5. Paceliet un pagrieziet savienojumus, pagrieziet tos un ievietojiet atpakaļ vietā



EN

DE

IT

FR

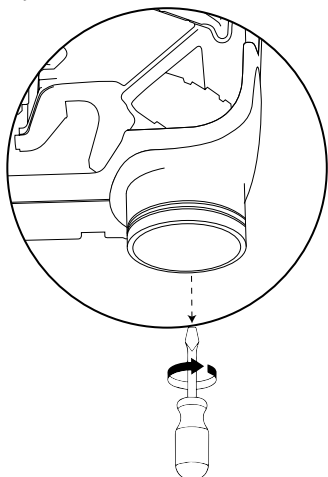
NL

ET

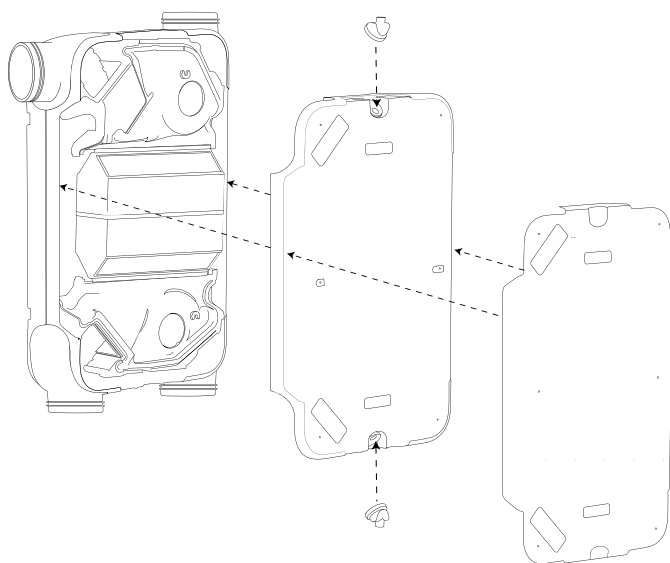
LT

LV

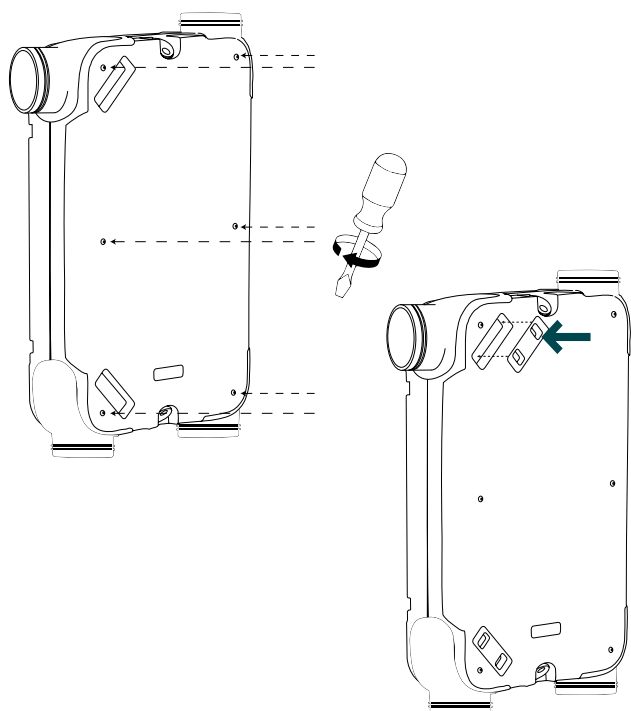
6. Pievelciet savienojuma skrūves



7. Uzlieciet atpakaļ polipropilēna augšējo vāku un metāla vāku



8. Pievelciet skrūves un uzlieciet atpakaļ filtra vāciņus



5.7. Kondensāta drenāžas pieslēgšana

Zehnder EVO 3 HRV un Zehnder EVO 3 HRV PR iekārtām jābūt aprīkotām ar kondensāta novadīšanas sistēmu.

EVO 3 ERV un EVO 3 ERV PR iekārtām tas nav nepieciešams. Pieskrūvējiet 1/2" sifonu ar ārējo vītņi (nav iekļauts piegādes komplektācijā, ir jāpasūta atsevišķi) uz iekārtas kondensāta novadīšanas savienojuma.

Lai nodrošinātu pareizu apkopi, uzstādiet sifonu tā, lai to varētu viegli noņemt un pārbaudīt.

Ierīces kondensāta novadīšanas savienojums var būt vērsts horizontāli vai uz leju.

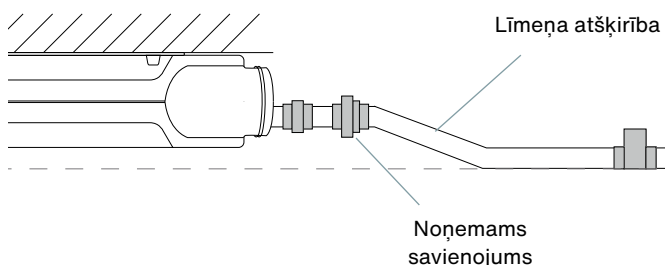


Pārliecinieties, ka kondensāta novadīšanas slīpums nav paralēls ierīcei vai vērsts atpakaļ pret to.

Svarīgi!

EVO HRV un EVO HRV PR vienībās ir pieslēgts tikai viens kondensāta novadītājs; otrs ir jāaizbāž. EVO ERV un EVO ERV PR vienībās abiem kondensāta novadītājiem jābūt aizbāžtiem. Aizbāžņi ir iekļauti komplektācijā.

Turpmāk ir sniegti norādījumi, kā uzstādīt kondensāta novadīšanas cauruli EVO ierīcei, kas uzstādīta horizontāli:



Ja iekārta ir uzstādīta horizontāli pie griestiem, kondensāta novadīšanai jābūt zem pašas iekārtas līmeņa.

Brīdinājums!

Garantija ir spēkā ar nosacījumu, ka ir uzstādīts oriģināls Zehnder sausais sifons un kondensāta novadīšanas sistēma ir izbūvēta pareizi. Pretējā gadījumā Zehnder uzskata, ka ir atbrīvots no jebkādas atbildības ierīces bojājumu gadījumā.

EN

DE

IT

FR

NL

ET

LT

LV

6. Elektriskie savienojumi

Pieslēgums elektroīklam jāveic saskaņā ar normatīvajiem standartiem. Ventilatori un elektroniskā shēma darbojas ar 230 V barošanas spriegumu.

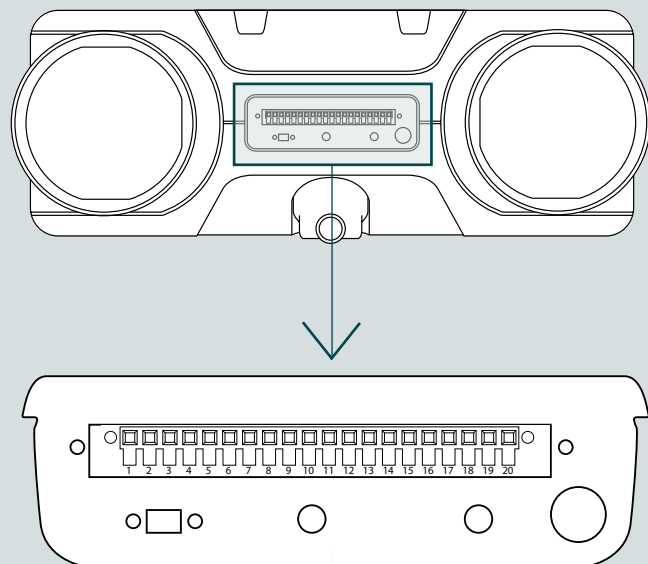


Veicot jebkārus darbus ar ierīci, uzstādīšanu vai apkopi, strāvas padeve ir jāatvieno.

Elektroinstalācijas krāsu kodējums

Brūns	Zem sprieguma
Zilais	Neitrāls
Zaļa/dzeltena	Zeme

Integrētā vadības shēma



Integrētā vadības shēma

Savienotāju apraksts		
Savienojums.	Apraksts	Shēmas plate
PIN 1	0-10 V 10V signāla ieeja	X-26
PIN 2	0-10 V 0V-signāla ieeja	X-26
PIN 3	Mājas automatizācija - sausais kontakts	X-25
PIN 4	Mājas automatizācija - sausais kontakts	X-25
PIN 5	Neizmanto	-
PIN 6	Neizmanto	-
PIN 7	Pēcsildītāja 10 V izeja (*)	X-16
PIN 8	Pēcsildītāja 0 V izeja (*)	X-16
PIN 9	“Kreisā puse” NO/NC (*)	X-32
PIN 10	“Kreisā puse” NO/NC (*)	X-32
PIN 11	Neizmanto	-
PIN 12	3-ātrumu slēdzis V1 kopējais vai Multicontrol	X-510
PIN 13	3-ātrumu slēdzis V2 vai Multicontrol	X-510
PIN 14	3-ātrumu slēdzis V3 vai Multicontrol	X-510
PIN 15	Priekšsildītāja 230 V izeja (**)	X-17
PIN 16	Priekšsildītāja zemējuma izeja (**)	X-17
PIN 17	Priekšsildītāja neitrālā izeja (**)	X-17
PIN 18	Neizmanto	X-28
PIN 19	Neizmanto	X-28
PIN 20	Neizmanto	X-28

(*) Pins netiek izmantots modeļiem Zehnder EVO 3 HRV PR un Zehnder EVO 3 ERV PR.

(**) Modeļos ar standarta komplektācijā iekļautu priekšsildītāju šie kontakti tiek izmantoti pēcsildītājam (atsevišķi uzstādāms), nevis priekšsildītājam.

EN

DE

IT

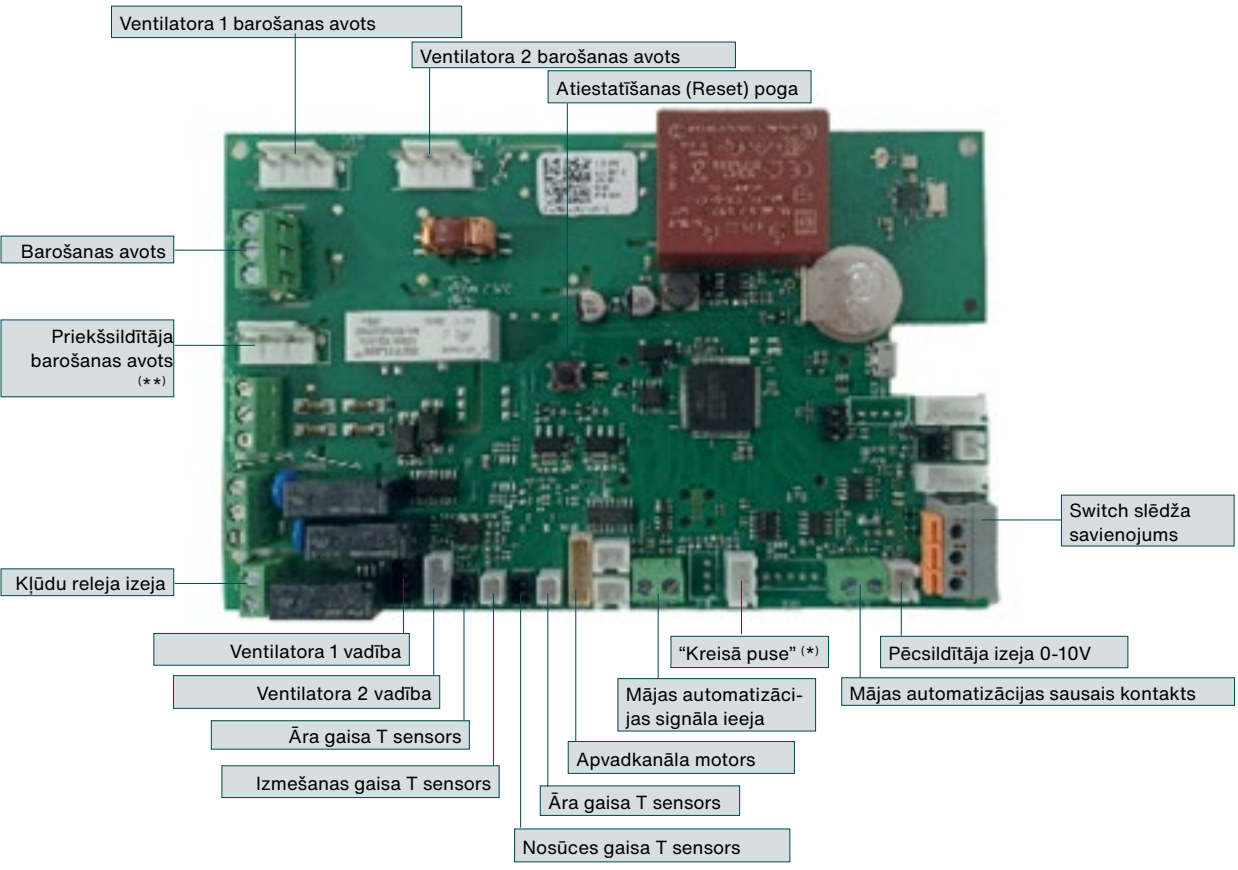
FR

NL

ET

LT

LV



(*) Neizmanto modeļos Zehnder EVO 3 HRV PR un EVO 3 ERV PR.

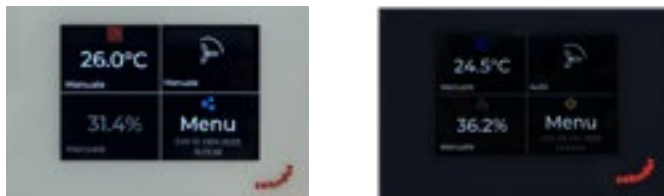
(**) Izmanto pēcsildītājam modeļos Zehnder EVO 3 HRV PR un EVO 3 ERV PR.

- EN
- DE
- IT
- FR
- NL
- ET
- LT
- LV

7. Vadības ierīces un savienojamība

Zehnder EVO sērijas iekārtas var uzraudzīt un kontrolēt dažādos veidos. Tālāk ir sniegts pieejamo piederumu saraksts.

7.1. Zehnder Multi Control vadība



Zehnder EVO iekārtas var kontrolēt, izmantojot Zehnder Multi Control, kas ļauj tās kombinēt ar Zehnder ComfoDew vai Zehnder ComfoPost pēcapstrādes sistēmām.

Ventilācijas iekārta pēc noklusējuma izmanto minimālo ventilatora ātrumu. Multi Control, izmantojot tajā iebūvētos relejus, aktivizē otro un trešo ventilatora ātrumu, ja to pieprasa lietotājs vai ja tas nepieciešams pēcapstrādes vajadzībām.

Izmantojot Multi Control, lietotāji var izvēlēties manuālo vai automātisko darbības režīmu, rakstīt iknedēļas laika programmas un apskatīt filtra nomaiņas trauksmes signālu.



Ja papildus Multi Control ir pieslēgta cita vadības ierīce, piemēram, Zehnder EVO Sense, lai uzraudzītu un vadītu ierīci, otrai vadības ierīcei visu laiku jābūt manuālā režīmā un 1. ventilatora ātruma režīmā. Pretējā gadījumā Multi Control nedarbosies pareizi.



Zehnder Multi Control var pieslēgt lietotnei "Zehnder Multi Controller", kas uzrauga un kontrolē ventilācijas iekārtu, termiskās zonas un apkures sistēmu.

7.2. Zehnder EVO Sense bezvadu



EVO Sense bezvadu viedās vadības ierīce sazinās ar ventilācijas ierīci, izmantojot radiofrekvences (radiofrekvences), un ļauj izvēlēties piecus dažādus plūsmas ātrumus. Tā arī ļauj lietotājiem rakstīt dienas un nedēļas laika programmas un iestatīt automātisko darbības režīmu.

Tā ir viedā lietotāja un uzstādīšanas saskarne pieslēgtās ventilācijas iekārtas uzraudzībai un konfigurēšanai.

7.3. Zehnder EVO Switch RF



EVO Switch 4-iestatījumu bezvadu vadības ierīce ar spiedpogu palīdzību sazinās ar ventilācijas ierīci, izmantojot RF (radiofrekvenci), ar iespēju izvēlēties četrus dažādus darbības režīmus. Tai ir filtra nomaiņas trauksmes indikators.

7.4. RF CO₂ sensors



Bezvadu CO₂ sensors uzrauga oglekļa dioksīda līmeni telpā, kurā tas ir novietots, un nosūta rādījumus uz Zehnder EVO ierīci, izmantojot RF (radiofrekvenci). Iekārta attiecīgi maina plūsmas ātrumu, izvēloties pareizo līmeni, lai garantētu iekštelpu gaisa kvalitāti, pamatojoties uz sensora nosūtītajiem datiem.

7.5. RF mitruma sensors



Bezvadu sensors uzrauga gaisa relatīvo mitrumu telpā, kurā tas ir novietots, un nosūta rādījumus uz Zehnder EVO iekārtu, izmantojot RF (radiofrekvenci). Iekārta attiecīgi maina ventilācijas plūsmas ātrumu, izvēloties pareizo līmeni, lai nodrošinātu iekštelpu gaisa kvalitāti, pamatojoties uz sensora nosūtītajiem datiem.

EN

DE

IT

FR

NL

ET

LT

LV


7.6. Viedā savienojamība

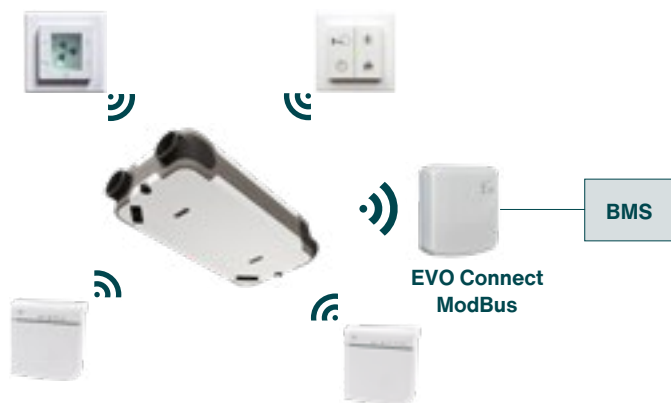
Izmantojot dažādas saskarnes metodes, varat pārvērst savu māju par viedo māju:

- EVO Connect ModBus;
- EVO Connect ModBus-KNX.

7.6.1. EVO Connect ModBus

Ierīce "EVO Connect ModBus" ir savienota ar ēkas vadības sistēmu (BMS) un, izmantojot ModBus valodu, tiek izmantota, lai nolasītu un ievadītu datus, kas attiecas uz EVO ventilācijas iekārtu un visiem pievienotajiem saderīgajiem sensoriem (relatīvā mitruma/CO₂) un bezvadu vadības ierīcēm (EVO Sense/EVO Switch). Tā sazinās ar EVO iekārtu, izmantojot RF.


 **EVO Connect ModBus - KNX pareizai darbībai nepieciešams 24 V maiņstrāvas/līdzstrāvas padeves avots.**

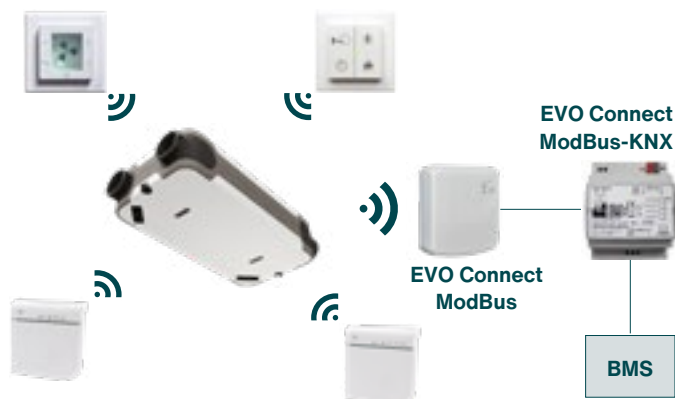


7.6.2. EVO Connect ModBus - KNX

Ierīce "EVO Connect ModBus - KNX" ir ModBus/KNX pārveidotājs, kas paredzēts savienošanai ar EVO Connect ModBus vārteju, lai pārveidotu vārtejas savāktos datus un nosūtītu tos pa vadu uz BMS.

Tas apkopo datus no EVO iekārtas un jebkuriem savienotajiem saderīgajiem sensoriem (relatīvā mitruma/CO₂) un bezvadu vadības ierīcēm (EVO Sense/EVO Switch).

 **EVO Connect ModBus - KNX pareizai darbībai nepieciešams 24 V maiņstrāvas/līdzstrāvas padeves avots.**



EN

DE

IT

FR

NL

ET

LT

LV

8. Nodošana ekspluatācijā

Ventilācijas iekārtu var sākt ekspluatēt pēc uzstādīšanas. Rīkojieties šādi.

- Pirms ekspluatācijas uzsākšanas izlasiet ekspluatācijas instrukciju.
- Aizveriet visus logus un ārējās un iekšējās durvis.
- Pārbaudiet, vai visi vārsti ir pareizi uzstādīti, un atveriet tos, cik vien iespējams.
- Pārliecinieties, ka visi ventilācijas iekārtas un vārstu filtri ir kā jauni. Bojāti filtri var falsificēt nodošanas ekspluatācijā rezultātus.
- Iestatiet ventilācijas iekārtu uz ventilatora ātrumu 3. Automātiskais režīms nedrīkst būt ieslēgts.
- Pārliecinieties, ka spraugas zem durvīm vai pārplūdes restēm nav aizsprostotas un ļauj gaisam brīvi plūst. Šādam stāvoklim tiem jāpaliek visā turpmākajā ventilācijas iekārtas darbības laikā.
- Sāciet regulēt vārstus, sākot no vārsta, kas saņem mazāko gaisa plūsmu (parasti tas ir vārsts, kas atrodas vistālāk no ventilācijas iekārtas). Izmantojiet kalibrētu mērinstrumentu, lai katram vārstam iestatītu vajadzīgo nominālo gaisa plūsmu.
- Lai samazinātu enerģijas patēriņu, pārliecinieties, ka viens svaiga gaisa padeves vārsts un viens novadītā gaisa nosūces vārsts ir pilnībā atvērti.
- Atkārtojiet tilpuma plūsmas regulēšanu, līdz visi vārsti ir iestatīti uz vajadzīgo plūsmas ātrumu.
- Ja nav iespējams sabalansēt gaisa plūsmas ātrumu ar iestatītajiem apgriezieniem, ventilatora apgriezienus minūtē var regulēt atbilstoši nepieciešamajam plūsmas ātrumam.

9. Darbība

Iekārta tiek piegādāta gatava pieslēgšanai elektrības padevei un tās darbība ir pilnībā automātiska. No iekštelpām izvadītais netīrais gaiss nodod siltumenerģiju svaigajam gaisam no āra. Svaigs, tīrs gaiss tiek piegādāts uz mājas iekšpusi ar siltummaiņi mainītu temperatūru - vasarā vēss, bet ziemā silts, tādējādi nodrošinot ievērojamu enerģijas ietaupījumu. Atkarībā no izmantotās vadības sistēmas veida var būt pieejami līdz pat pieciem ventilācijas plūsmas ātrumiem. Iekārta tiek regulēta ar konstantu plūsmas ātrumu, kas nozīmē, ka gaisa pieplūdes un nosūces plūsmas ātrums tiek sasniegts neatkarīgi no spiediena krituma cauruļvados.

9.1. Apvadkanāla darbība

Standarta apvadkanāls ļauj piegādāt svaigu un vēsu āra gaisu tieši, izejot caur filtru, bet ne caur siltummaiņi, lai izmantotu labvēlīgu āra temperatūru noteiktos laikos, lai bez maksas samazinātu temperatūru mājoklī ("bezmaksas dzesēšana"). Apvadkanāls automātiski ieslēdzas, ja ir izpildīti konkrēti nosacījumi, kā norādīts turpmāk tabulā.

Apvadkanāla darbība	
Atvērts apvadkanāls	<ul style="list-style-type: none"> ▪ Āra temperatūra ir virs 10 °C. ▪ Vasarā āra gaisa temperatūra ir par 3 °C zemāka nekā no mājas izplūstošā gaisa temperatūra un zemāka par komforta temperatūru. ▪ Ziemā āra gaisa temperatūra ir par 3 °C augstāka nekā no mājokļa izplūstošā gaisa temperatūra un augstāka par komforta temperatūru.
Apvadkanāls ir slēgts	<ul style="list-style-type: none"> ▪ Āra temperatūra ir zemāka par 10 °C. ▪ Vasarā āra temperatūra ir augstāka par no mājokļa izvadītā gaisa temperatūru un augstāka par komforta temperatūru. ▪ Ziemā āra temperatūra ir zemāka par no mājokļa izvadītā gaisa temperatūru un zemāka par komforta temperatūru.
BRĪDINĀJUMS!	
Zehnder EVO iekārta automātiski nosaka pašreizējo sezonu.	

9.2. Aizsardzības pret salu drošības ierīce

Lai novērstu ledus veidošanos uz siltummaiņa, kad āra temperatūra ir ļoti zema, Zehnder EVO ir aprīkots ar aizsardzības pret salu drošības ierīci.

Sensori mēra temperatūras siltummaiņi, un nepieciešamības gadījumā ventilatori rada pakāpeniski pieaugošu plūsmu nelīdzsvarotību.

Kad temperatūra sasniedz -2°C modeļos Zehnder EVO 3 HRV un Zehnder EVO 3 ERV bez priekšsildītāja vai -16°C modeļos Zehnder EVO 3 HRV PR un Zehnder EVO 3 ERV PR ar priekšsildītāju, ierīce atslēdzas, lai novērstu siltummaiņa bojājumus, reizi stundā pārbaudot, vai temperatūra atkal ir sasniegusi drošu darba līmeni.

EN

DE

IT

FR

NL

ET

LT

LV

10. Tehniskās apkopes procedūra



Regulāri veiciet visas šajā sadaļā minētās profilaktiskās apkopes procedūras. Ja profilaktiskās apkopes procedūras netiek veiktas regulāri, ventilācijas sistēmas darbība pasliktināsies.



Pirms tehniskās apkopes uzsākšanas vismaz divas minūtes palaidiet ventilācijas iekārtu ar ventilatora ātrumu 3, lai no siltummaiņa novadītu kondensātu.



Ja ir jānomaina kāda detaļa, pasūtiet oriģinālu rezerves daļu no Zehnder un visus darbus uzticiet veikt Zehnder pilnvarotajam tehniskā servisa centram.



Izņemot filtra nomaiņu, visa apkope jāveic speciālistiem.



Pirms apkopes darbu uzsākšanas vienmēr atvienojiet ventilācijas iekārtu no elektrības padeves, ja vien nav norādīts citādi. Ja ierīce tiek darbināta atvērta, pastāv reāls risks gūt traumas. Pārliedzinieties, ka to nevar iedarbināt nejauši.



Veiciet atbilstošus pasākumus, lai novērstu elektrostatisko izlādi, strādājot ar elektroniku, jo elektrostatiskā elektrība var to neatgriezeniski sabojāt.

10.1. Gaisa filtra apkope

Šo apkopes procedūru var veikt lietotājs.

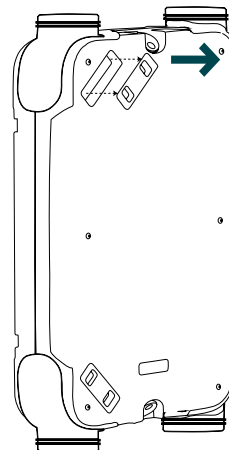
Filtri jāpārbauda reizi trijos mēnešos. Ja uz tiem ir rupji netīrumi (kukaiņi, sīkas augu daļas u. c.), tos var iztīrīt ar putekļsūcēju un atgriezt atpakaļ ierīcē.

Filtri jāmaina vismaz reizi sešos mēnešos.

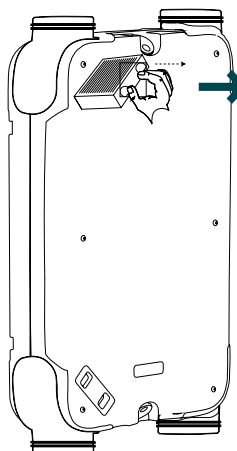
Iepriekš sagādājiet rezerves filtrus, pārliedzinoties, ka tie ir oriģināli Zehnder filtri.

1. Ja tiek izmantota EVO Sense tālvadības pults, veiciet filtru nomaiņas procedūru ar to. Pretējā gadījumā ierīci izslēdziet. Ja ierīce ir savienota ar EVO Switch vai Multi Control ierīci, atcerieties pēc procedūras pabeigšanas atiestatīt filtra nomaiņas trauksmes signālu.

2. Noņemiet vāciņus no filtra sekcijas.



3. Uzmanīgi noņemiet aizsērējušos filtrus, izmantojot tam paredzētās cilpiņas. Ja abi filtri nav vienādi, ņemiet vērā to atrašanās vietas: ISO ePM1 filtrs ir uzstādīts uz āra gaisa ieplūdes atveres, bet ISO rupjais filtrs ir uzstādīts uz telpas gaisa nosūces atveres.



BRĪDINĀJUMS!

Zehnder EVO iekārtu nekad nedrīkst ekspluatēt bez filtriem.

EN

DE

IT

FR

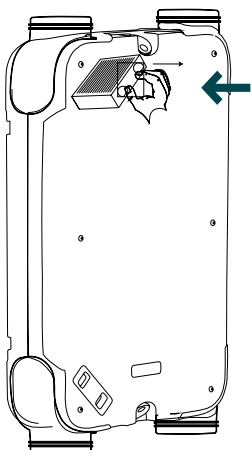
NL

ET

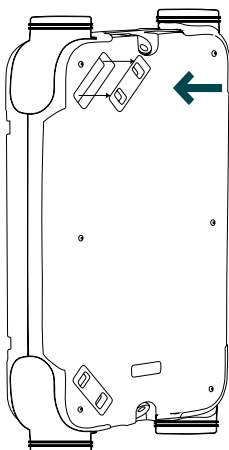
LT

LV


4. No jauna ievietojiet filtrus to nodalījumos, novietojot tos, kā norādīts 3. punktā.




5. Uzlieciet vāciņus atpakaļ uz filtru nodalījumiem.



6. Pārtrauciet filtra nomaiņas procedūru vai atkārtoti iedarbiniet ierīci.

 **Mainot iekārtas filtrus, iztīriet arī filtrus uz iekšējām restēm vai vārstiem un ārējās gaisa izplūdes restēm.**

 **Izmetiet piesārņoto filtru kā atkritumus, kas nav pārstrādājami.**

10.2. Ventilācijas iekārtas tīrīšana

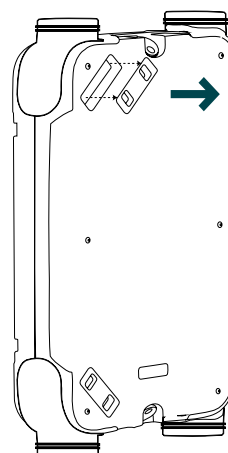
Visi EVO iekārtas iekšējie komponenti (siltummainis, ventilatori utt.) jāpārbauda un jātīra reizi divos gados.

BRĪDINĀJUMS!

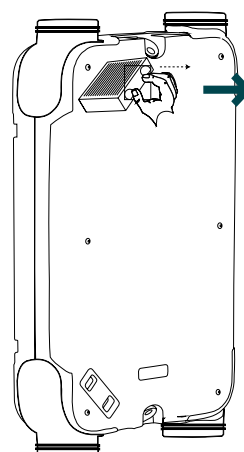
Šo apkopes darbu drīkst veikt tikai Zehnder pilnvarots, kvalificēts inženieris. Sazinieties ar tuvāko tehniskā servisa centru

1. Atvienojiet ierīci no elektriskās strāvas padeves.

2. Noņemiet vāciņus no filtra sekcijas.



3. Uzmanīgi noņemiet filtrus, izmantojot tam paredzētās cilpiņas. Ja abi filtri nav vienādi, ņemiet vērā to atrašanās vietas: ISO ePM1 filtrs ir uzstādīts uz āra gaisa ieplūdes atveres, bet ISO rupjais filtrs ir uzstādīts uz iekštelpu gaisa nosūces atveres.



EN

DE

IT

FR

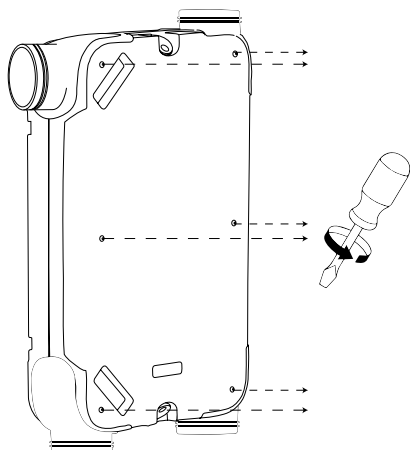
NL

ET

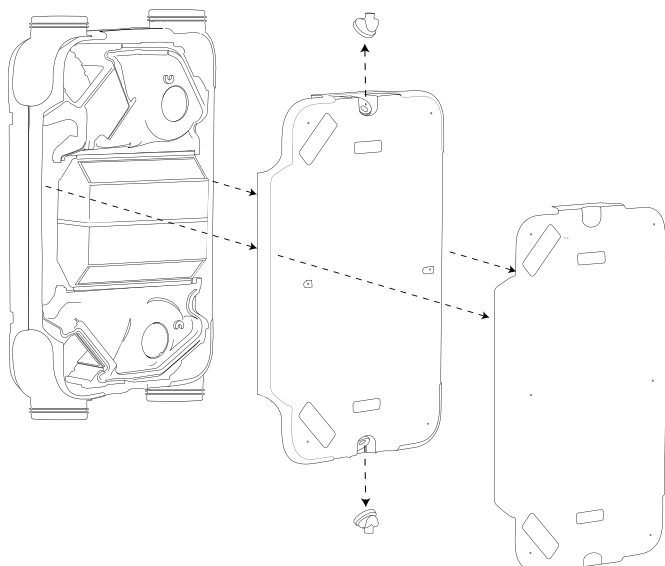
LT

LV

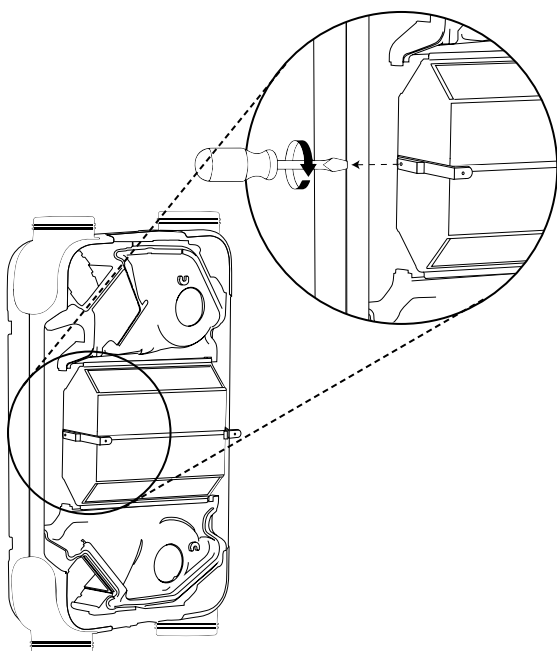
4. Noņemiet ārējā metāla vāka skrūves



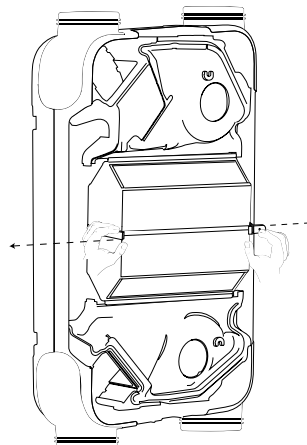
5. Noņemiet metāla vāku un polipropilēna vāku, atklājot siltummaiņu, ventilatorus un apvadkanālu.



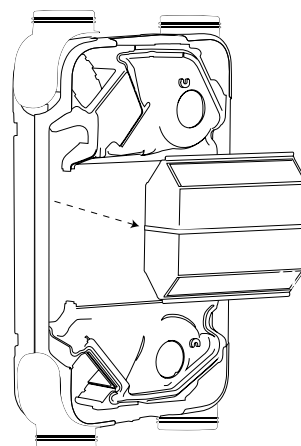
6. Atvienojiet un noņemiet kreiso montāžas kronšteinu



7. Atdaliet kronšteinus, kas notur siltummaiņu, lai to varētu noņemt

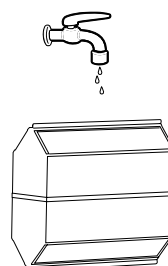


8. Noņemiet siltummaiņu



Īpaši uzmanīgi noņemiet siltummaiņu.
Siltummaiņī var būt nedaudz kondensāta.

9. Notīriet siltummaiņu tekošā ūdenī



10. Pārbaudiet, vai ierīces redzamā iekšpusē ir tīra: siltummaiņa nodalījums, apvadkanāls, polipropilēna detaļas.
Ja nepieciešams, notīriet ar mīkstu drānu.

11. Notīriet ventilatorus ar putekļsūcēju, kas aprīkots ar birsti, un pārbaudiet, vai tie nav bojāti. Ja tādi ir, nomainiet tos.

EN

DE

IT

FR

NL

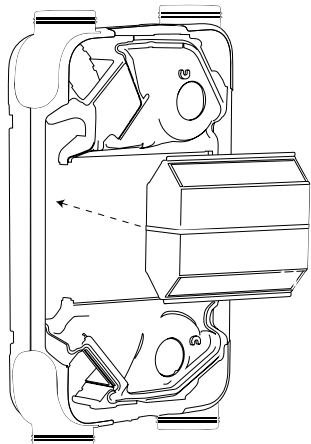
ET

LT

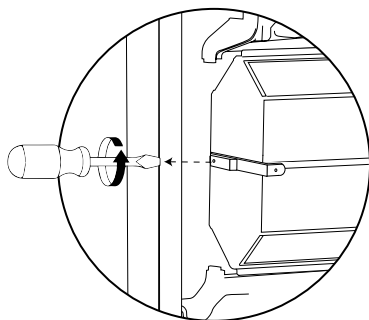
LV

12. Kad tīrīšanas procedūras ir pabeigtas, atkal samontējiet ierīci.

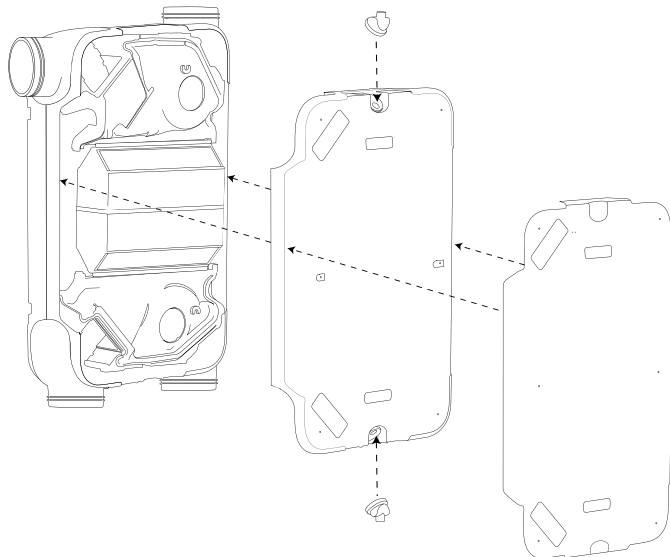
13. Atgrieziet siltummaiņi tā nodalījumā



14. Uzlieciet atpakaļ kreiso kronšteinu un pievilciet skrūvi

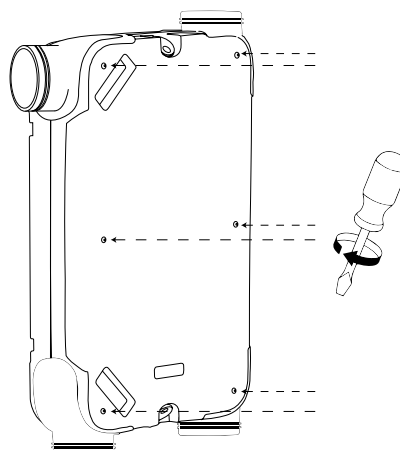


15. Nomainiet polipropilēna un metāla vākus.

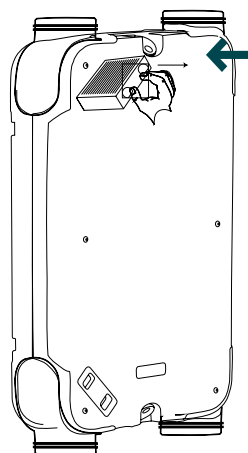


Pārliecinieties, ka polipropilēna augšējais pārsegs ir perfekti izlīdzināts ar apakšējo daļu, bez spraugām sānos. Pretējā gadījumā pārbaudiet, vai vadi ir pareizi ievietoti tiem paredzētajās rievās.

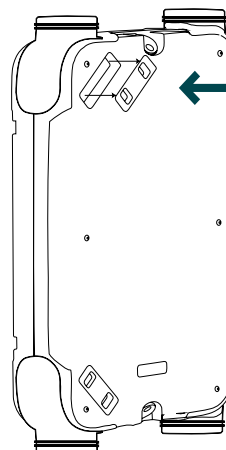
16. Pievelciet skrūves metāla vākam.



17. No jauna ievietojiet filtrus to nodalījumos, novietojot tos, kā norādīts 3. punktā



18. No jauna uzlieciet filtru vākus



EN

DE

IT

FR

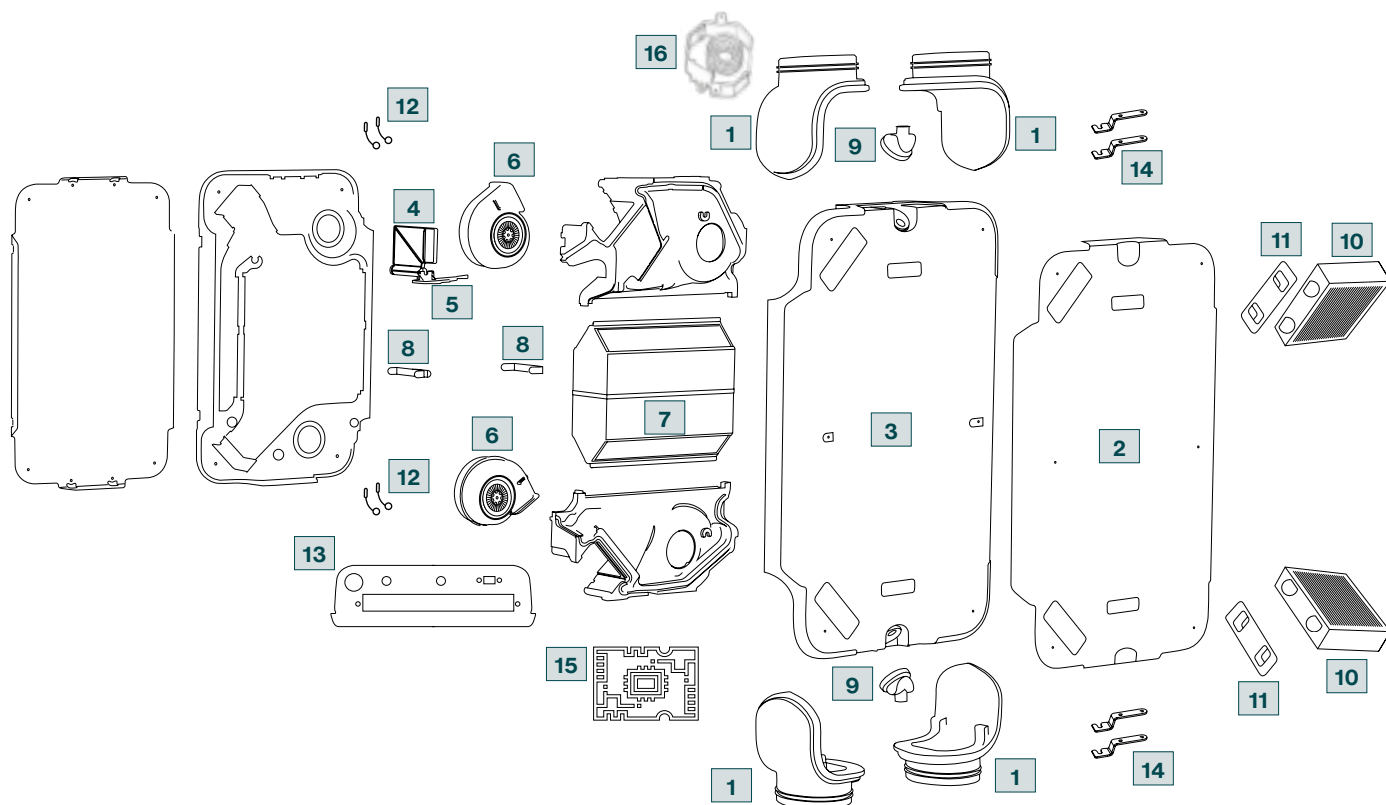
NL

ET

LT

LV

11. Vienības pārskats un sastāvdaļu apraksts



Nē.	Sastāvdaļas apraksts	nr. gabalu skaits
1	Grozāmie savienojumi	4 gab
2	Priekšējais vāks	1 gab
3	Polipropilēna pārsegs ventilatoriem, siltummainim, elektronikai	1 gab
4	Apvadkanāla vārsts	1 gab
5	Apvadkanāla motors	1 gab
6	Augstas efektivitātes ventilatori	2 gab
7	Augstas efektivitātes enerģijas atgūšanas siltummainis	1 gab
8	Siltummaiņa montāžas kronšteini	2 gab
9	Grozāms kondensāta novadītājs	2 gab
10	Augstas veikspējas filtri	2 gab
11	Filtra vāks	2 gab
12	Temperatūras sensors	4 gab
13	Savienojumu plate	1 gab
14	Skaņas slāpēšanas bloks	4 gab
15	Elektroniskās shēmas plate	1 gab
16	Priekšsildītājs (*)	1 gab

(*) iekļauts tikai modeļos Zehnder EVO 3 HRV PR un Zehnder EVO 3 ERV PR.

